



Chipsmall Limited consists of a professional team with an average of over 10 year of expertise in the distribution of electronic components. Based in Hongkong, we have already established firm and mutual-benefit business relationships with customers from,Europe,America and south Asia,supplying obsolete and hard-to-find components to meet their specific needs.

With the principle of "Quality Parts,Customers Priority,Honest Operation,and Considerate Service",our business mainly focus on the distribution of electronic components. Line cards we deal with include Microchip,ALPS,ROHM,Xilinx,Pulse,ON,Everlight and Freescale. Main products comprise IC,Modules,Potentiometer,IC Socket,Relay,Connector.Our parts cover such applications as commercial,industrial, and automotives areas.

We are looking forward to setting up business relationship with you and hope to provide you with the best service and solution. Let us make a better world for our industry!



Contact us

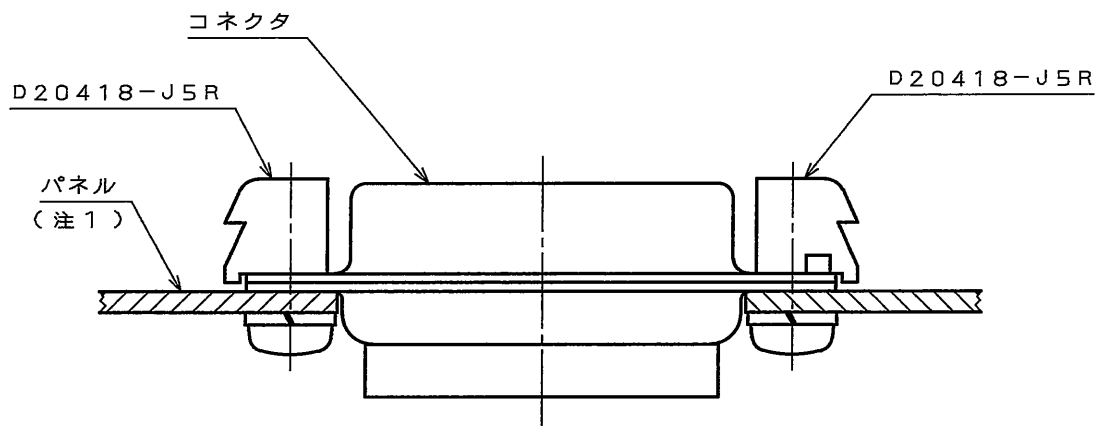
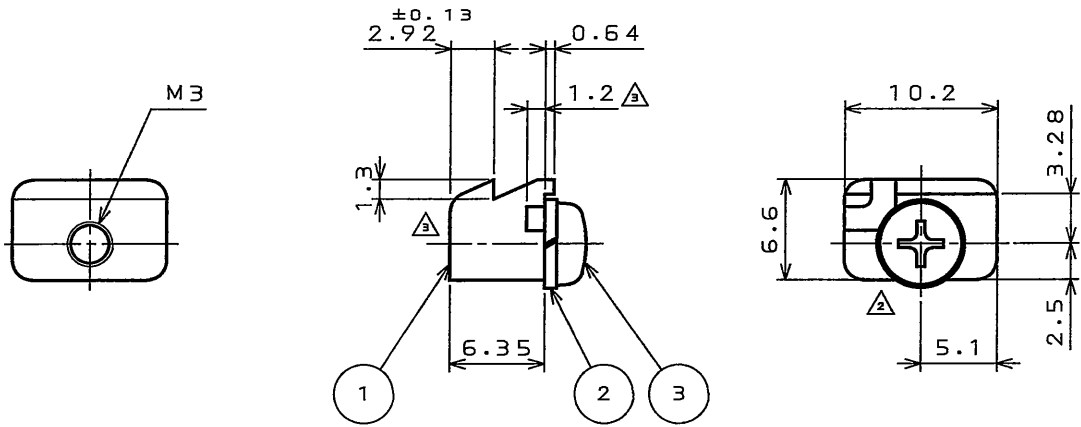
Tel: +86-755-8981 8866 Fax: +86-755-8427 6832

Email & Skype: info@chipsmall.com Web: www.chipsmall.com

Address: A1208, Overseas Decoration Building, #122 Zhenhua RD., Futian, Shenzhen, China



版数 REV.	年月日 DATE	DCN NO.	変更内容 DESCRIPTION	製図 DR.	担当 CHK.	査閲 APPD.	承認 APPD.
2	2005.8.25	058072	ねじ形状変更	——	高木(洋)	——	窪田(好)
3	2006.1.24	059205	誤記訂正	——	高木(洋)	多胡	窪田



取付状態図

- 注1. 適合パネル厚は1.2以上1.7未満です。
 2. 各部品は組立てず梱包される。

符号 NO.	名称 DESCRIPTION	個数 QTY.	材料 MATERIAL	仕上 FINISH	備考 REMARKS
3	十字穴付なべ小ねじ	1	鋼	亜鉛メッキ上 3価クロメート処理	M3
2	ばね座金	1	鋼	亜鉛メッキ上 3価クロメート処理	——
1	嵌合固定台	1	亜鉛合金	亜鉛メッキ上 3価クロメート処理	M3

仕様書 (SPECIFICATION)		第1版 (ORIGINAL DATE) 2005.7.12		名称 (TITLE) D20418-J5R		日本航空電子工業株式会社 JAPAN AVIATION ELECTRONICS INDUSTRY, LTD.	
公差 (GENERAL TOLERANCE)		製図 DR.	担当 CHK.	高木(洋)			
寸法 (DIMENSION)		査閲 APPD.	承認 APPD.	窪田(好)			
角度 (ANGLES)		承認 APPD.		シリース (SERIES) D-sub			
. ± .X ± .XX ± 0.4 .XXX ± 0.25		$X^\circ \pm \text{arc}$ $X^\circ X' \pm \text{arc}$		尺度 (SCALE) 2:1		図面番号 (DRAWING NO.) SJ103105	
						版数 (REV.)	3

DOF-0-211F(05.06)

SIZE A4