



Chipsmall Limited consists of a professional team with an average of over 10 year of expertise in the distribution of electronic components. Based in Hongkong, we have already established firm and mutual-benefit business relationships with customers from,Europe,America and south Asia,supplying obsolete and hard-to-find components to meet their specific needs.

With the principle of “Quality Parts,Customers Priority,Honest Operation,and Considerate Service”,our business mainly focus on the distribution of electronic components. Line cards we deal with include Microchip,ALPS,ROHM,Xilinx,Pulse,ON,Everlight and Freescale. Main products comprise IC,Modules,Potentiometer,IC Socket,Relay,Connector.Our parts cover such applications as commercial,industrial, and automotives areas.

We are looking forward to setting up business relationship with you and hope to provide you with the best service and solution. Let us make a better world for our industry!



Contact us

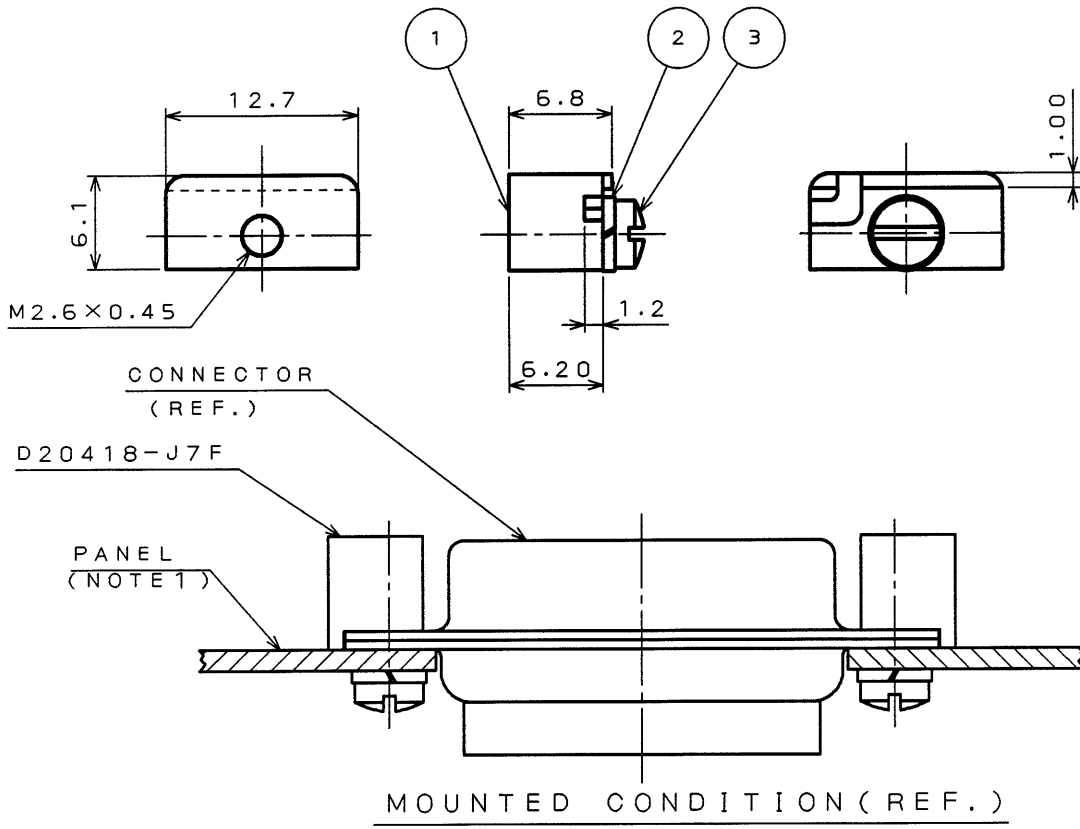
Tel: +86-755-8981 8866 Fax: +86-755-8427 6832

Email & Skype: info@chipsmall.com Web: www.chipsmall.com

Address: A1208, Overseas Decoration Building, #122 Zhenhua RD., Futian, Shenzhen, China



版数 REV.	年月日 DATE	DCN NO.	変更内容 DESCRIPTION	製図 DR.	担当 CHK.	査閲 APPD.	承認 APPD.
3	30.Mar.2000	45857	REDRAWN		Y.SAITOU	—	<i>Y. Hayashi</i>



NOTE 1. APPLICABLE PANEL THICKNESS IS MORE 1.2
LESS THAN 1.7.
LENGTH OF ATTACHED SCREW IS 5.5 [mm]

2. ITEM NUMBER 2 AND 3 WHICH ARE NOT
ASSEMBLED ARE ATTACHED.

注 1. 適合パネル厚は 1.2 t 以上 1.7 t 未満です。(添付ネジの首下長さは 5.5 mm)

2. 符号②,③は組み立てず添付する。

3	SLOTTED OVAL HEAD SCREW	1	STEEL	NICKEL PLATING	M2.6 x 0.45 x 5.5
2	SPRING LOCK WASHER	1	STEEL	NICKEL PLATING	ONLY M2.6
1	LOCK ASSEMBLIES	1	ZINC ALLOY	NICKEL PLATING	
符号 NO.	名称 DESCRIPTION	個数 QTY.	材料 MATERIAL	仕上 FINISH	備考 REMARKS

仕様書 (SPECIFICATION)		第1版 (ORIGINAL DATE)	名称 (TITLE)		 日本航空電子工業株式会社 AVIATION ELECTRONICS INDUSTRY, LTD.
公差 (GENERAL TOLERANCE)		25.Feb.1986	D20418-J7F		
寸法 (DIMENSION)	角度 (ANGLES)	製図 DR.	Y.HAYASHI TAKEUCHI		
・ ±	×° ±	担当 CHK.	NISHINO		
・× ± 0.4	××' ±	査閲 APPD.	KANEDA		
・×× ± 0.25		承認 APPD.			
・××× ±			シリーズ (SERIES)	尺度 (SCALE)	図面番号 (DRAWING NO.)
			Dsub	2:1	SJ020725

DCF-C-211D(98.02)

版数 (REV.) 3