



Chipsmall Limited consists of a professional team with an average of over 10 year of expertise in the distribution of electronic components. Based in Hongkong, we have already established firm and mutual-benefit business relationships with customers from,Europe,America and south Asia,supplying obsolete and hard-to-find components to meet their specific needs.

With the principle of “Quality Parts,Customers Priority,Honest Operation,and Considerate Service”,our business mainly focus on the distribution of electronic components. Line cards we deal with include Microchip,ALPS,ROHM,Xilinx,Pulse,ON,Everlight and Freescale. Main products comprise IC,Modules,Potentiometer,IC Socket,Relay,Connector.Our parts cover such applications as commercial,industrial, and automotives areas.

We are looking forward to setting up business relationship with you and hope to provide you with the best service and solution. Let us make a better world for our industry!



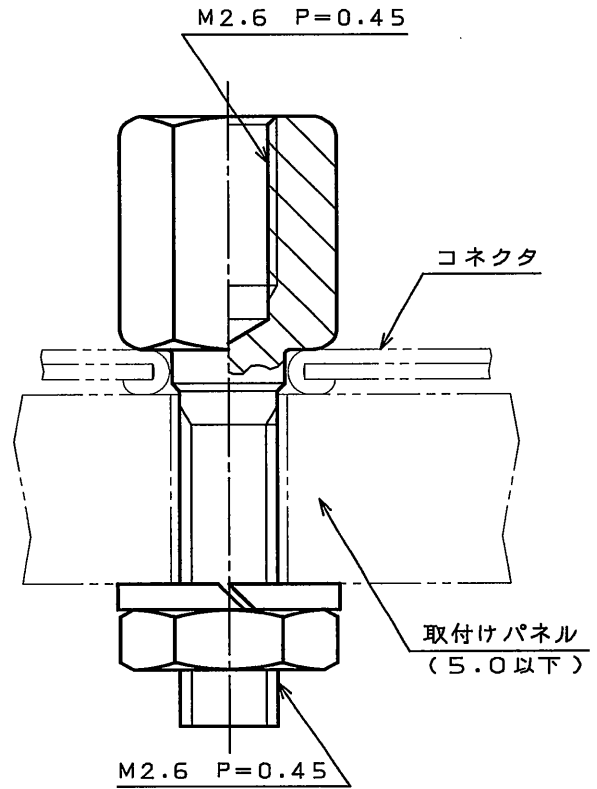
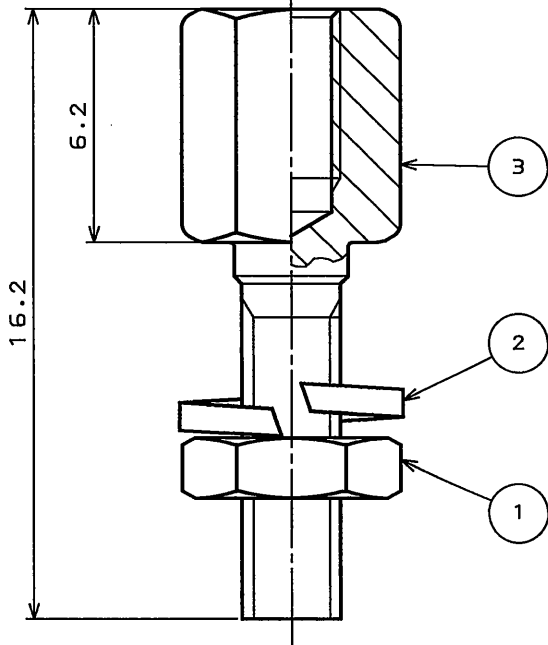
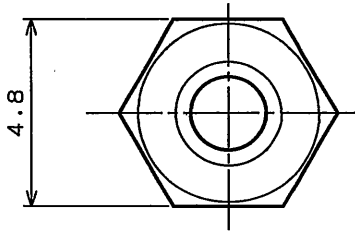
Contact us

Tel: +86-755-8981 8866 Fax: +86-755-8427 6832

Email & Skype: info@chipsmall.com Web: www.chipsmall.com

Address: A1208, Overseas Decoration Building, #122 Zhenhua RD., Futian, Shenzhen, China





パネル及びコネクタに取り付けた状態
(注2)

- 注1.各部品は組立てず梱包される。
 2.本品はD-subコネクタに使用できます。
 尚、パネルに取り付ける場合は図示の様に厚さ5.0以下のパネルに
 取付可能です。

3	嵌合固定ねじ	1	鋼	亜鉛めっき上3価クロメート処理	
2	ばね座金	1	鋼	亜鉛めっき上3価クロメート処理	
1	ナット	1	鋼	亜鉛めっき上3価クロメート処理	
符号 NO.	名称 DESCRIPTION	個数 QTY.	材料 MATERIAL	仕上 FINISH	備考 REMARKS

仕様書 (SPECIFICATION)		第1版 (ORIGINAL DATE) 2005.7.12		名称 (TITLE) D20418-JR		日本航空電子工業株式会社 JAPAN AVIATION ELECTRONICS INDUSTRY, LTD.		版数 (REV.) 1
一般公差 (GENERAL TOLERANCE)		製図 DR.	担当 CHK.	高木 (洋)		図面番号 (DRAWING NO.) SJ103098		
寸法 (DIMENSION)		査閲 APPD.	承認 APPD.					
角度 (ANGLES)		承認 APPD.		シリーズ (SERIES) 尺度 (SCALE) D-sub 5:1				

DOF-0-211E(03.08)