



Chipsmall Limited consists of a professional team with an average of over 10 year of expertise in the distribution of electronic components. Based in Hongkong, we have already established firm and mutual-benefit business relationships with customers from,Europe,America and south Asia,supplying obsolete and hard-to-find components to meet their specific needs.

With the principle of “Quality Parts,Customers Priority,Honest Operation,and Considerate Service”,our business mainly focus on the distribution of electronic components. Line cards we deal with include Microchip,ALPS,ROHM,Xilinx,Pulse,ON,Everlight and Freescale. Main products comprise IC,Modules,Potentiometer,IC Socket,Relay,Connector.Our parts cover such applications as commercial,industrial, and automotives areas.

We are looking forward to setting up business relationship with you and hope to provide you with the best service and solution. Let us make a better world for our industry!



Contact us

Tel: +86-755-8981 8866 Fax: +86-755-8427 6832

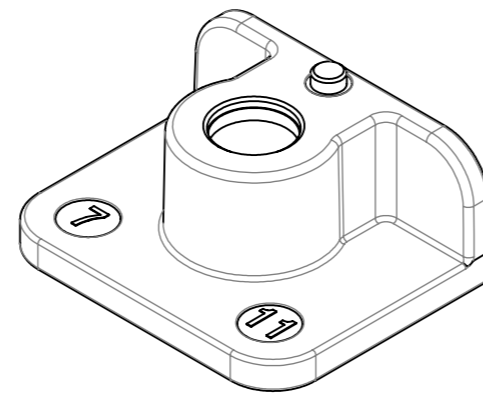
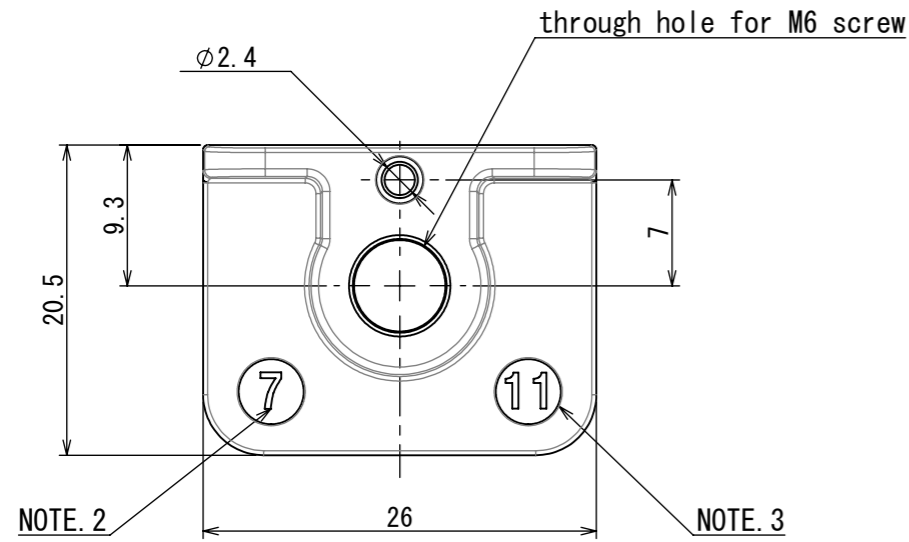
Email & Skype: info@chipsmall.com Web: www.chipsmall.com

Address: A1208, Overseas Decoration Building, #122 Zhenhua RD., Futian, Shenzhen, China



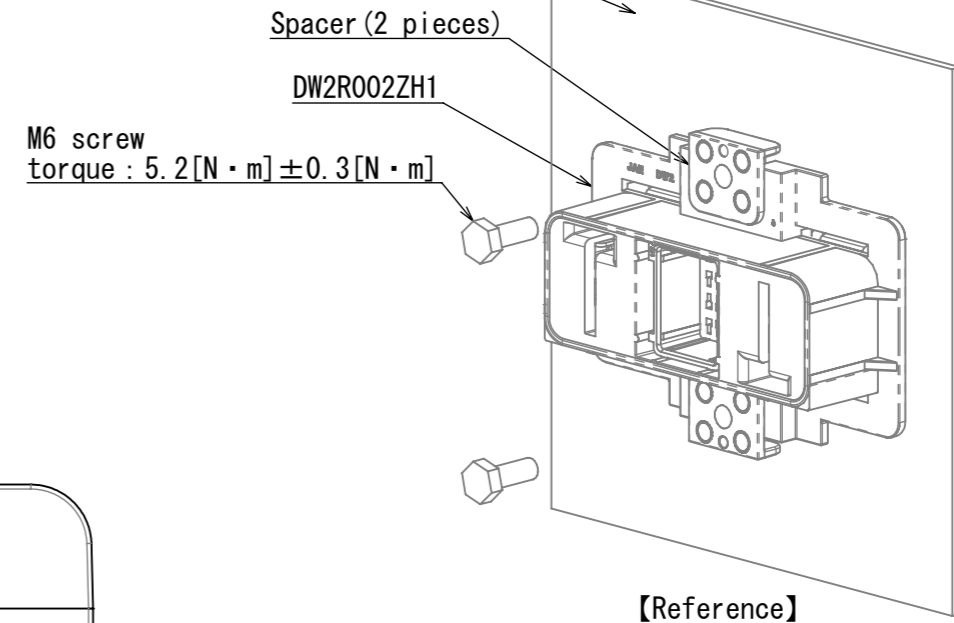
600711FS
 (ON DRAWING NO.)

版数 REV.	年月日 DATE	CN NO.	変更内容 DESCRIPTION	製図 DR.	担当 CHK.	査閲 APPD.	承認 APPD.
2	22/AUG/2012	003668	誤記訂正		T. EBISAWA	Y. ITOU	T. KUDOU

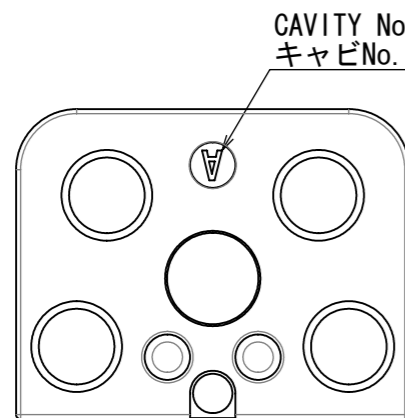
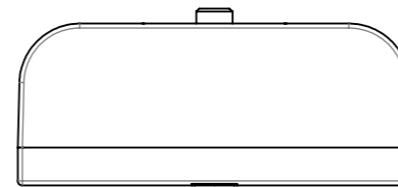
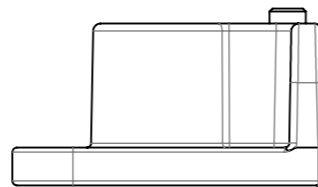
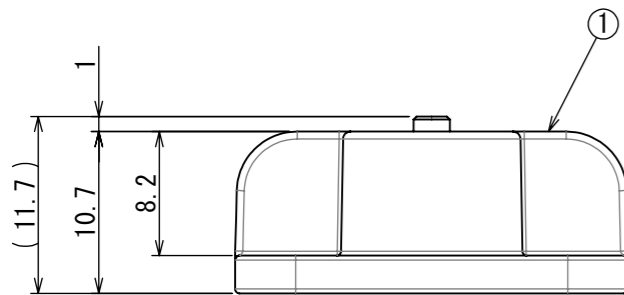


【perspective view】

Panel
 (Processing size : SJ112004)



【Reference】



特別管理品目
 SPECIAL CONTROL ITEM
 Li電池

NOTE 1. This product is an optional spacer of DW2R002ZH1.
 NOTE 2. Month of manufacture.
 NOTE 3. Year of manufacture.
 注1. 本製品はDW2R002ZH1の別売スペーサである。
 注2. 製造月 \triangle \triangle
 注3. 製造年 \triangle \triangle

符号 NO.	名称 DESCRIPTION	個数 QTY.	材料 MATERIAL	仕上 FINISH	備考 REMARKS
1	Spacer	1	Zinc alloy	Nickel Plating over Copper	
仕様書 (SPECIFICATION)		第1版 (ORIGINAL DATE)		尺度 (SCALE)	シリーズ (SERIES)
JACS-30188 JAHL-30188		16/DEC/2011		2:1	DW2
一般公差 (GENERAL TOLERANCE)		製図 DR.		名称 (TITLE)	
寸法 (DIMENSION)		担当 CHK.		D253-50570 (Spacer)	
角度 (ANGLES)		査閲 APPD.		日本航空電子工業株式会社 JAE JAPAN AVIATION ELECTRONICS INDUSTRY, LTD.	
. ±0.8		承認 APPD.			
. × ±0.4		承認 APPD.			
. ×× ±0.1				図面番号 (DRAWING NO.)	
. ××× ±				SJ112009	
				質量 (MASS)	版数 (REV.)
				-	2

DCF-C-212G(11.08)

