



Chipsmall Limited consists of a professional team with an average of over 10 year of expertise in the distribution of electronic components. Based in Hongkong, we have already established firm and mutual-benefit business relationships with customers from,Europe,America and south Asia,supplying obsolete and hard-to-find components to meet their specific needs.

With the principle of "Quality Parts,Customers Priority,Honest Operation,and Considerate Service",our business mainly focus on the distribution of electronic components. Line cards we deal with include Microchip,ALPS,ROHM,Xilinx,Pulse,ON,Everlight and Freescale. Main products comprise IC,Modules,Potentiometer,IC Socket,Relay,Connector.Our parts cover such applications as commercial,industrial, and automotives areas.

We are looking forward to setting up business relationship with you and hope to provide you with the best service and solution. Let us make a better world for our industry!



Contact us

Tel: +86-755-8981 8866 Fax: +86-755-8427 6832

Email & Skype: info@chipsmall.com Web: www.chipsmall.com

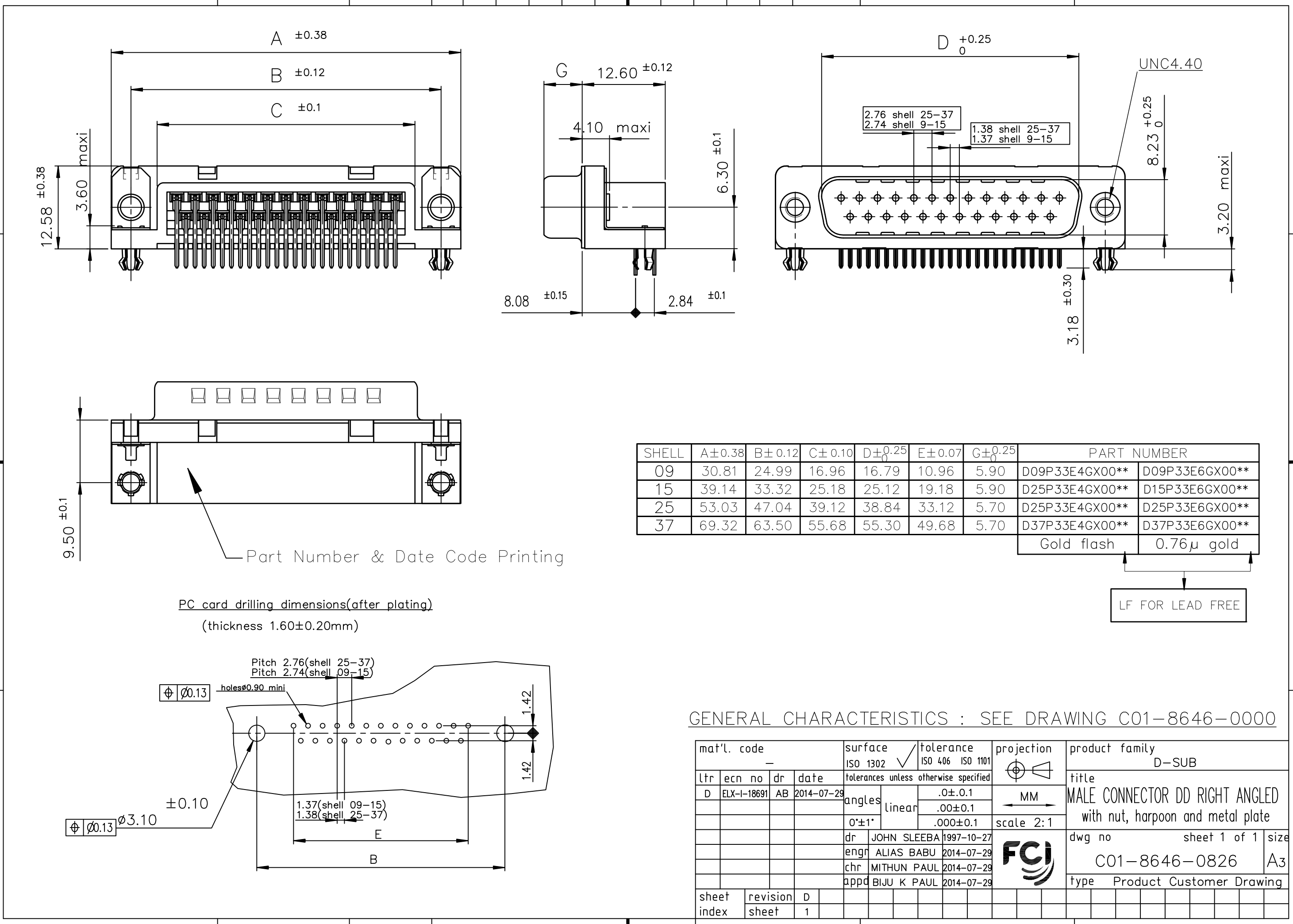
Address: A1208, Overseas Decoration Building, #122 Zhenhua RD., Futian, Shenzhen, China





FCIconnect.com

Copyright FCI



Part Number & Date Code Printing

PC card drilling dimensions(after plating)
(thickness 1.60 \pm 0.20mm)

SHELL	A ± 0.38	B ± 0.12	C ± 0.10	D ± 0.25	E ± 0.07	G ± 0.25	PART NUMBER	
09	30.81	24.99	16.96	16.79	10.96	5.90	D09P33E4GX00**	D09P33E6GX00**
15	39.14	33.32	25.18	25.12	19.18	5.90	D25P33E4GX00**	D15P33E6GX00**
25	53.03	47.04	39.12	38.84	33.12	5.70	D25P33E4GX00**	D25P33E6GX00**
37	69.32	63.50	55.68	55.30	49.68	5.70	D37P33E4GX00**	D37P33E6GX00**
							Gold flash	0.76 μ gold

LF FOR LEAD FREE

GENERAL CHARACTERISTICS : SEE DRAWING C01-8646-0000

mat'l. code				surface ISO 1302 <input checked="" type="checkbox"/>		tolerance ISO 406 ISO 1101		projection		product family D-SUB	
-				tolerances unless otherwise specified				MM		title	
D ELX-I-18691 AB 2014-07-29				angles linear		.0 \pm .01 .00 \pm .01 .000 \pm .01		scale 2:1		MALE CONNECTOR DD RIGHT ANGLED with nut, harpoon and metal plate	
				dr JOHN SLEEBA 1997-10-27				FCI		dwg no sheet 1 of 1 size	
				enr ALIAS BABU 2014-07-29						C01-8646-0826 A3	
				chr MITHUN PAUL 2014-07-29						type Product Customer Drawing	
				app BIJU K PAUL 2014-07-29							
sheet index		revision sheet		D 1							