



Chipsmall Limited consists of a professional team with an average of over 10 year of expertise in the distribution of electronic components. Based in Hongkong, we have already established firm and mutual-benefit business relationships with customers from,Europe,America and south Asia,supplying obsolete and hard-to-find components to meet their specific needs.

With the principle of “Quality Parts,Customers Priority,Honest Operation,and Considerate Service”,our business mainly focus on the distribution of electronic components. Line cards we deal with include Microchip,ALPS,ROHM,Xilinx,Pulse,ON,Everlight and Freescale. Main products comprise IC,Modules,Potentiometer,IC Socket,Relay,Connector.Our parts cover such applications as commercial,industrial, and automotives areas.

We are looking forward to setting up business relationship with you and hope to provide you with the best service and solution. Let us make a better world for our industry!



Contact us

Tel: +86-755-8981 8866 Fax: +86-755-8427 6832

Email & Skype: info@chipsmall.com Web: www.chipsmall.com

Address: A1208, Overseas Decoration Building, #122 Zhenhua RD., Futian, Shenzhen, China



Customer Information Sheet

DRAWING No.: D2899-42

SHEET 2 OF 2

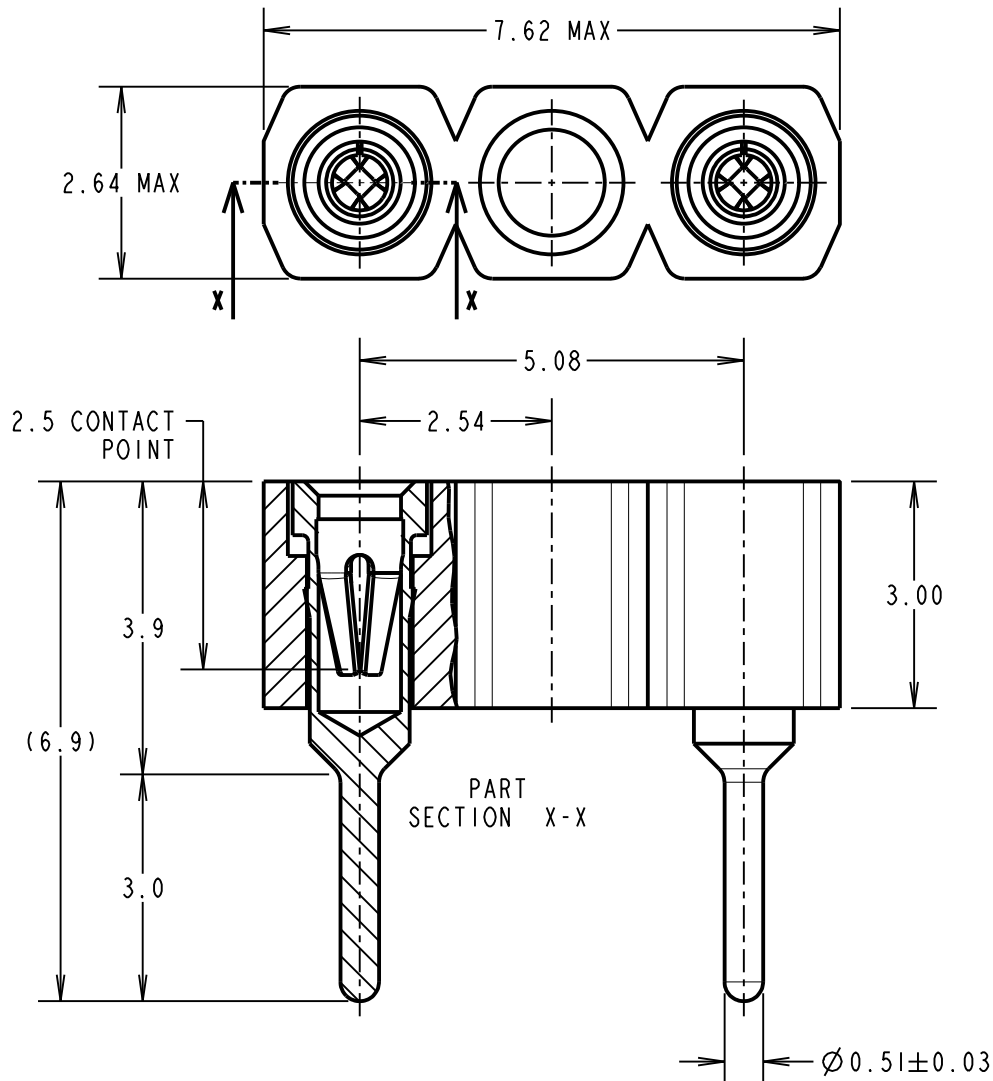
IF IN DOUBT - ASK

(C)

NOT TO SCALE

THIRD ANGLE PROJECTION

ALL DIMENSIONS IN mm



SPECIFICATION:

MATERIAL:

MOULDING = GLASS-FILLED POLYAMIDE 46 BLACK, UL94V-0
 CONTACT SHELL = BRASS
 CONTACT CLIP = BERYLLIUM COPPER

FINISH:

CONTACT SHELL = 5.0µ 100% TIN
 CONTACT CLIP = GOLD FLASH

ELECTRICAL:

CURRENT RATING AT 25°C = 1.5A MAX
 CURRENT RATING AT 85°C = 0.25A MAX
 CONTACT RESISTANCE (INITIAL) = 15 MILLIOHMS
 CONTACT RESISTANCE (AFTER CONDITIONING) = 23 MILLIOHMS MAX
 INSULATION RESISTANCE (INITIAL) = 1,000 MEGOHMS MIN
 INSULATION RESISTANCE (AFTER CONDITIONING) = 100 MEGOHMS MIN

MECHANICAL:

INSERTION FORCE (Ø0.46mm GAUGE) = 5N MAX
 WITHDRAWAL FORCE (Ø0.46mm GAUGE) = 0.5N MIN
 DURABILITY = 1,000 OPERATIONS

ENVIRONMENTAL:

OPERATING TEMPERATURE = -55°C TO +125°C
 FOR COMPLETE MECHANICAL AND ELECTRICAL SPECIFICATION,
 SEE COMPONENT SPECIFICATION C004X (LATEST ISSUE).

NOTES:

1. RECOMMENDED PIN SIZE = Ø0.41 TO Ø0.53mm.
2. RECOMMENDED PCB HOLE SIZE = Ø0.80mm.

SB	5	23.10.12	11825
NAME	ISS.	DATE	C/NOTE
APPROVED:		S.BENNETT	
CHECKED:		M.PLESTED	
DRAWN:		J. KEIR	
CUSTOMER REF.:			
ASSEMBLY DRG:			

ORDER CODE:

D2899-42

FINISH: _____
 GOLD CLIP / 100% TIN SHELL

HARWIN

www.harwin.com
 technical@harwin.com

THIS DRAWING AND ANY INFORMATION OR DESCRIPTIVE MATTER SET OUT HEREON ARE CONFIDENTIAL AND COPYRIGHT PROPERTY OF THE HARWIN GROUP AND MUST NOT BE DISCLOSED, LOANED, COPIED OR USED FOR MANUFACTURING, TENDERING OR FOR ANY OTHER PURPOSE WITHOUT THEIR WRITTEN PERMISSION.

TOLERANCES
 X. = ±1mm
 X.X = ±0.25mm
 X.XX = ±0.10mm
 X.XXX = ±0.01mm
 ANGLES = ±5°
 UNLESS STATED

MATERIAL:
 SEE ABOVE
FINISH: SEE ABOVE
S/AREA: mm²

TITLE:
 3-WAY I.C. SOCKET
 WITH CENTRE SOCKET REMOVED
DRAWING NUMBER:
D2899-42
 SHT 2 OF 2