



Chipsmall Limited consists of a professional team with an average of over 10 year of expertise in the distribution of electronic components. Based in Hongkong, we have already established firm and mutual-benefit business relationships with customers from,Europe,America and south Asia,supplying obsolete and hard-to-find components to meet their specific needs.

With the principle of "Quality Parts,Customers Priority,Honest Operation,and Considerate Service",our business mainly focus on the distribution of electronic components. Line cards we deal with include Microchip,ALPS,ROHM,Xilinx,Pulse,ON,Everlight and Freescale. Main products comprise IC,Modules,Potentiometer,IC Socket,Relay,Connector.Our parts cover such applications as commercial,industrial, and automotives areas.

We are looking forward to setting up business relationship with you and hope to provide you with the best service and solution. Let us make a better world for our industry!



## Contact us

Tel: +86-755-8981 8866 Fax: +86-755-8427 6832

Email & Skype: info@chipsmall.com Web: www.chipsmall.com

Address: A1208, Overseas Decoration Building, #122 Zhenhua RD., Futian, Shenzhen, China



# D2 - SERIES

## SPECIFICATIONS AND ORDERING INFORMATION

1" DIAMETER 0.55 AMP @ 28 VDC

The D2 Series switch is used where space is at a premium. This dual-ball side thrust index offers exceptional torque control and is available in 30°, 36°, 45°, and 60° angles. Standard designs utilize diallyl phthalate or ceramic insulation, solder lug terminals, and 30° adjustable stop indexing.



### SPECIFICATIONS

#### ELECTRICAL

**Current and Voltage Rating:** Make and break resistive load  
0.55 amp @ 28 VDC; 0.25 amp @ 115 VAC.  
**Current Carrying Capacity:** 7 amps.  
**Dielectric Strength:** 750 VAC between current carrying parts and ground.  
**Contact Resistance:** Average initial 5 milliohms.  
**Insulation Resistance:** Diallyl in excess of 900,000 megohms.  
Glass in excess of 750,000 megohms.  
Ceramic in excess of 1,000,000 megohms.  
**Hardware:** Mounting nut and lockwasher are shipped assembled.

#### MECHANICAL

**Materials and Finishes:** All parts utilize non-corrosive materials as standard.  
**Clips and Rotors:** Brass with silver plate as standard.  
**Insulation:** Diallyl phthalate, glass, or ceramic.  
**Index:** Dual-ball, side thrust design.  
**Index Life:** 25,000 cycles minimum.  
**Index Torque:** Switches have lowest practical torque consistent with crisp detenting and smooth, reliable operation.  
**Index Angles:** Positive 30° standard, 36°, 45°, and 60° available.  
**Index Stops:** Adjustable standard, fixed or continuous.  
**Stop Strength:** 10 in. lbs. minimum.

### STANDARD PART NUMBER

#### DIALLYL PHTHALATE INSULATION - ADJUSTABLE STOPS

SWITCHES - SOLDER LUG TERMINALS - 30° INDEX - SET @ 2 POS.

POLES	ACTIVE POSITIONS	POLES/SECTION	NO. OF SECTIONS	SHORTING	NON-SHORTING	FIG. *
01	02-12	1	1	D2D0112S	D2D0112N	DE
02	02-06	2	1	D2D0206S	D2D0206N	DL
02	02-12	1	2	D2D0212S	D2D0212N	DE
03	02-05	3	1	D2D0305S	D2D0305N	DO
03	02-12	1	3	D2D0312S	D2D0312N	DE
04	02-06	2	2	D2D0406S	D2D0406N	DL
06	02-05	3	2	D2D0605S	D2D0605N	DO
06	02-06	2	3	D2D0606S	D2D0606N	DL

#### CERAMIC INSULATION - ADJUSTABLE STOPS

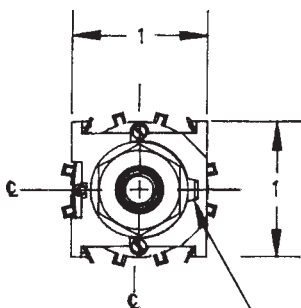
SWITCHES - SOLDER LUG TERMINALS - 30° INDEX - SET @ 2 POS. - 1/8 DIA. SHAFT

POLES	ACTIVE POSITIONS	POLES/SECTION	NO. OF SECTIONS	SHORTING	NON-SHORTING	FIG. *
01	02-11	1	1	D2C0111S	D2C0111N	DB
02	02-05	2	1	D2C0205S	D2C0205N	DG
02	02-11	1	2	D2C0211S	D2C0211N	DB
03	02-03	3	1	D2C0303S	D2C0303N	DN
03	02-11	1	3	D2C0311S	D2C0311N	DB
04	02-05	2	2	D2C0405S	D2C0405N	DG
06	02-05	2	3	D2C0605S	D2C0605N	DG
06	02-03	3	2	D2C0603S	D2C0603N	DN

\* FIGURES ARE SHOWN ON PAGES 55 AND 56.

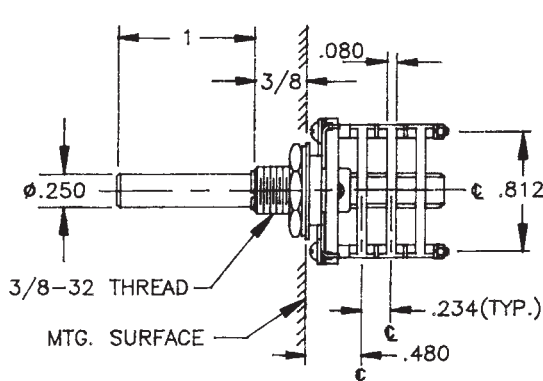
### DIMENSIONS

#### STANDARD CONSTRUCTION

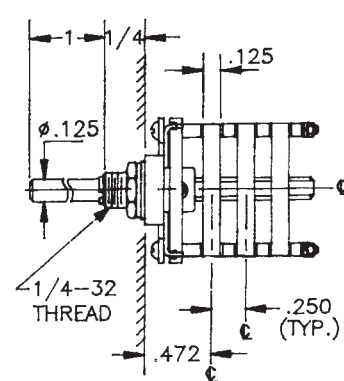


NON-TURN LUG  
.125W X .035 THK.  
.375 FROM  $\epsilon$   
.063 ENGAGEMENT

#### D2D DIALLYL PHTHALATE INSULATION



#### D2C CERAMIC INSULATION





## How to Order Additional Options:

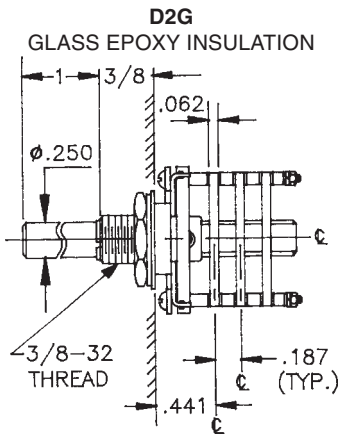
2 DIGIT SERIES	INSULATION TYPE	TOTAL POLES	ACTIVE POSITIONS	CONTACT TYPE	TERMINAL TYPE	INDEX ANGLE	STOP TYPE	SHAFT/ BUSHING	SHAFT FLAT
D2	D - DIALLYL (30°, 45°, 60°) G - GLASS (30°, 36°, 45°, 60°)	01 - MIN.	12 - MAX @ 30° 10 - MAX @ 36° 08 - MAX @ 45° 06 - MAX @ 60°	S - SHORTING N - NON SHORTING	L - SOLDER LUG V - VERT. P.C. 30° R - (REAR P.C. NOT CERAMIC)	30° 36° 45° 60°	A - ADJ. F - FIXED C - CONT.	SEE CHART "A"	SEE CHART "B"
D2	C - CERAMIC (30°, 60°) 1/8 SHAFT	01 - MIN.	11 - MAX @ 30°	S - SHORTING N - NON SHORTING	L - SOLDER LUG	30° 60°	A - ADJ. F - FIXED C - CONT.		

CUSTOMERS SPECIFIED ORDER NUMBER FOR STANDARD OPTIONS

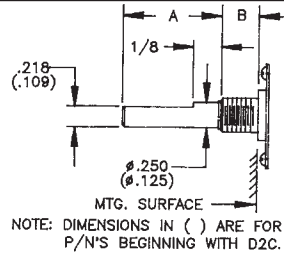


ADDITIONAL OPTIONS

### INSULATION OPTION



### SHAFT, BUSHING, AND FLAT OPTIONS

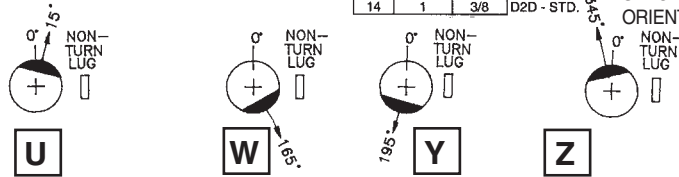


NOTE: DIMENSIONS IN ( ) ARE FOR P/N'S BEGINNING WITH D2C.

P/N OPT.	CHART "A"	
	SHAFT LGTH. "A"	BUSH. LGTH. "B"
01	3/8	1/4
02	3/8	3/8
03	1/2	1/4
04	1/2	3/8
05	9/16	1/4
06	9/16	3/8
07	5/8	1/4
08	5/8	3/8
09	3/4	1/4
10	3/4	3/8
11	7/8	1/4
12	7/8	3/8
13	1	1/4
14	1	3/8

P/N OPT.	CHART "B"	
	FLAT ANGLE	STANDARD
B	ROUND	- STD.
U	15°	
W	165°	
Y	195°	
Z	345°	

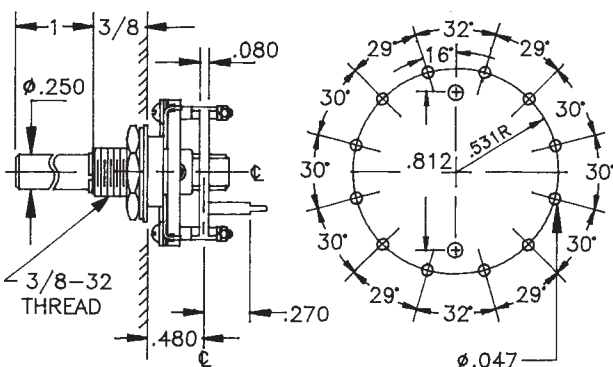
SHAFT AS VIEWED WITH NON-TURN LUG AT 3 O'CLOCK AND SHAFT IN EXTREME CCW POSITION AND STRUT BOLTS ORIENTED VERTICALLY.



### PRINTED CIRCUIT BOARD TERMINAL OPTIONS

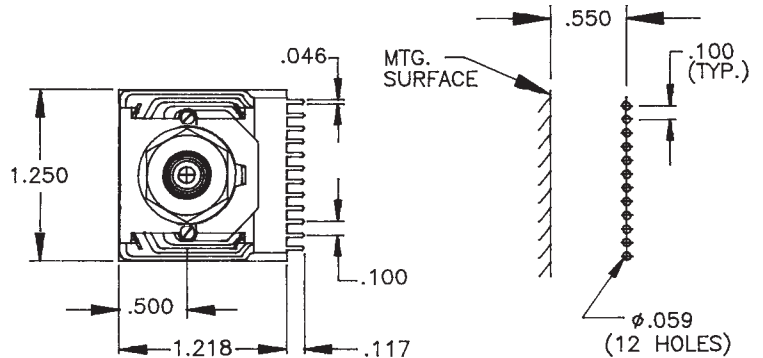
**R**

REAR P.C. DIALLYL ONLY



**V**

VERTICAL P.C.



CUSTOM SWITCHES ARE AVAILABLE. CONTACT THE FACTORY WITH YOUR COMPLETE SPECIFICATIONS.