



Chipsmall Limited consists of a professional team with an average of over 10 year of expertise in the distribution of electronic components. Based in Hongkong, we have already established firm and mutual-benefit business relationships with customers from,Europe,America and south Asia,supplying obsolete and hard-to-find components to meet their specific needs.

With the principle of “Quality Parts,Customers Priority,Honest Operation,and Considerate Service”,our business mainly focus on the distribution of electronic components. Line cards we deal with include Microchip,ALPS,ROHM,Xilinx,Pulse,ON,Everlight and Freescale. Main products comprise IC,Modules,Potentiometer,IC Socket,Relay,Connector.Our parts cover such applications as commercial,industrial, and automotives areas.

We are looking forward to setting up business relationship with you and hope to provide you with the best service and solution. Let us make a better world for our industry!



## Contact us

Tel: +86-755-8981 8866 Fax: +86-755-8427 6832

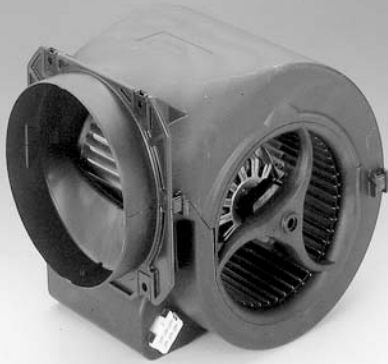
Email & Skype: info@chipsmall.com Web: www.chipsmall.com

Address: A1208, Overseas Decoration Building, #122 Zhenhua RD., Futian, Shenzhen, China



# D2E146 Series Centrifugal Blower

## Ø 146mm 4-speed



■ AC dual inlet, forward curved centrifugal blower operates at 4 air flow levels. Via brackets, the standard external-rotor motor is mounted on one side of the scroll housing.

■ Scroll housing with integrated terminal box made of polypropylene reinforced with French chalk, colored in black, and impeller made of polypropylene in natural color.

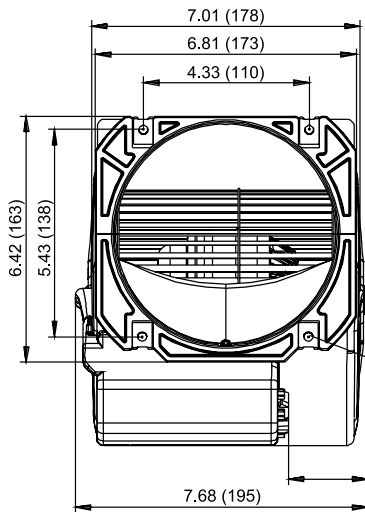
■ Direction of rotation is CCW as seen on plug. Insulation class "F".

■ Cable harness must be ordered separately.

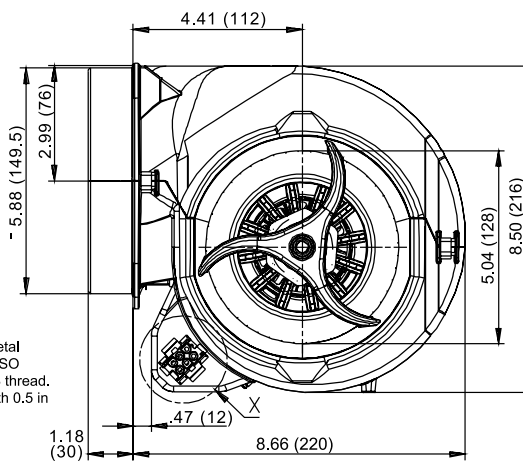
Part Number	Inches	(mm)
21956-4-1040	11.81	(300)
21957-4-1040	17.72	(450)
21958-4-1040	25.60	(650)
21959-4-1040	39.37	(1000)

■ VDE/CE approvals. UL on request.

Part Number	CFM @ 0	Curve	Volts	Hertz	Power (W)	dBA	Max Ambient Temp C
D2E146-HT65-14	212	4	115	50/60	193	50	50
	318	3	115	50/60	255	55	50
	441	2	115	50/60	327	59	50
	582	1	115	50/60	455	63	50
D2E146-HR25-13	152	4	115	50/60	83	33	50
	212	3	115	50/60	105	42	50
	278	2	115	50/60	135	47	50
	350	1	115	50/60	192	52	50
D2E146-HS97-01	100	1	230	50/60	90	39	50
	155	2	230	50/60	105	48	50
	205	3	230	50/60	128	55	50
	300	4	230	50/60	215	63	50
D2E146-HR93-01	93	4	230	50/60	70	46	50
	124	3	230	50/60	84	52	50
	164	2	230	50/60	106	58	50
	205	1	230	50/60	160	63	50

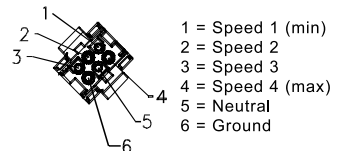


4x sheet metal nut for EN ISO 1478-ST4,8 thread. Screw length 0.5 in (12.5 mm)



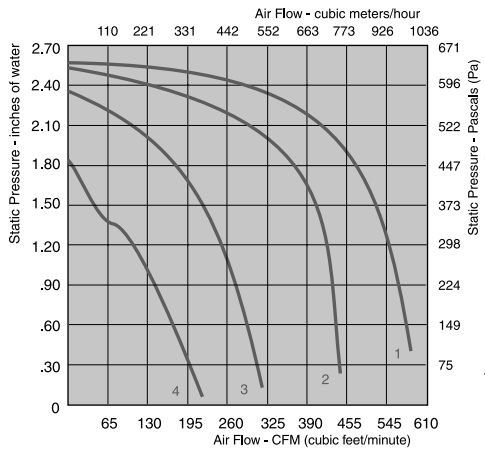
### Wiring Diagram View X

AMP Universal  
MATE-N-LOCK  
Housing # 926 682-3  
Wire Pin # 926 866-1



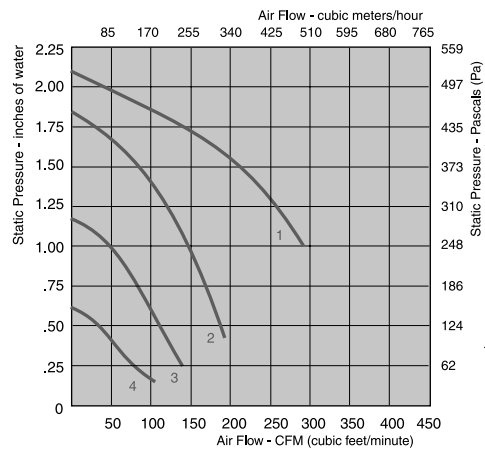
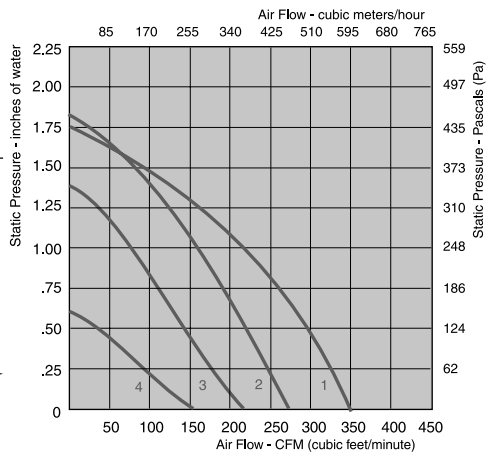
# D2E146 Series Performance Curves Centrifugal Blower

Ø 146mm 4-speed



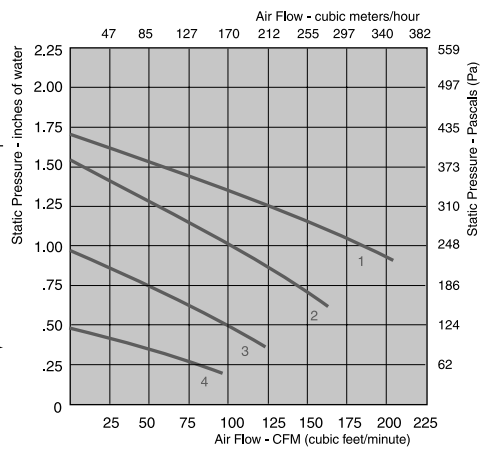
D2E146-HT65-14 ←

→ D2E146-HR25-13



D2E146-HS97-01 ←

→ D2E146-HR93-01



e-mail: [sales@ebm.com](mailto:sales@ebm.com) • TEL: 860-674-1515 • FAX: 860-674-8536  
**ebm Industries, Inc., 100 Hyde Road, Farmington, CT 06034 USA**  
 ebm Industries, Inc., 2003 © ebm Industries, Inc. reserves the right to change any specifications or data without notice