



Chipsmall Limited consists of a professional team with an average of over 10 year of expertise in the distribution of electronic components. Based in Hongkong, we have already established firm and mutual-benefit business relationships with customers from,Europe,America and south Asia,supplying obsolete and hard-to-find components to meet their specific needs.

With the principle of “Quality Parts,Customers Priority,Honest Operation,and Considerate Service”,our business mainly focus on the distribution of electronic components. Line cards we deal with include Microchip,ALPS,ROHM,Xilinx,Pulse,ON,Everlight and Freescale. Main products comprise IC,Modules,Potentiometer,IC Socket,Relay,Connector.Our parts cover such applications as commercial,industrial, and automotives areas.

We are looking forward to setting up business relationship with you and hope to provide you with the best service and solution. Let us make a better world for our industry!



## Contact us

Tel: +86-755-8981 8866 Fax: +86-755-8427 6832

Email & Skype: info@chipsmall.com Web: www.chipsmall.com

Address: A1208, Overseas Decoration Building, #122 Zhenhua RD., Futian, Shenzhen, China



# Customer Information Sheet

DRAWING No.: D3080-XX

SHEET 2 OF 2

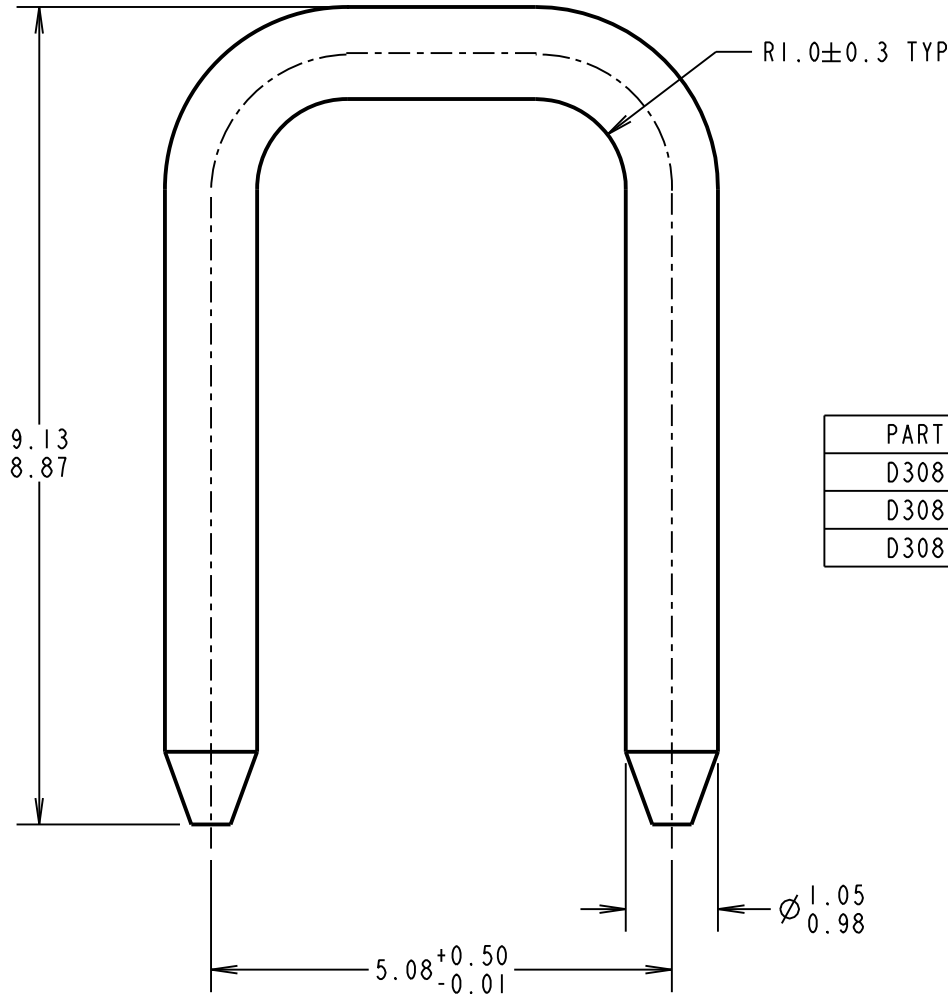
IF IN DOUBT - ASK

Ⓒ

NOT TO SCALE

THIRD ANGLE PROJECTION

ALL DIMENSIONS IN mm



ORDER CODE:

**D3080-XX**

FINISH:

01 = 100% MATTE TIN  
05 = GOLD FLASH  
46 = 100% BRIGHT TIN

PART No.	FINISH
D3080-01	2.54 $\mu$ 100% MATTE TIN OVER 0.76 $\mu$ NICKEL UNDERCOAT
D3080-05	GOLD FLASH OVER 0.76 $\mu$ NICKEL UNDERCOAT
D3080-46	2.54 $\mu$ 100% BRIGHT TIN OVER 0.76 $\mu$ NICKEL UNDERCOAT

SB	12	18.12.12	11891
NAME	ISS.	DATE	C/NOTE
APPROVED:		S.BENNETT	
CHECKED:		S.FLOWER	
DRAWN:		C. HANSEN	
CUSTOMER REF.:			
ASSEMBLY DRG:			
D3086-XX			

## HARWIN

www.harwin.com  
technical@harwin.com

THIS DRAWING AND ANY INFORMATION OR DESCRIPTIVE MATTER SET OUT HEREON ARE CONFIDENTIAL AND COPYRIGHT PROPERTY OF THE HARWIN GROUP AND MUST NOT BE DISCLOSED, LOANED, COPIED OR USED FOR MANUFACTURING, TENDERING OR FOR ANY OTHER PURPOSE WITHOUT THEIR WRITTEN PERMISSION.

### TOLERANCES

X. =  $\pm 1$ mm  
X.X =  $\pm 0.25$ mm  
X.XX =  $\pm 0.10$ mm  
X.XXX =  $\pm 0.01$ mm

ANGLES =  $\pm 5^\circ$

UNLESS STATED

### MATERIAL:

BRASS C2600

FINISH: SEE ABOVE

S/AREA:

mm<sup>2</sup>

### TITLE:

1mm SHORTING LINK

DRAWING NUMBER:

**D3080-XX**

SHT  
2  
OF  
2