



Chipsmall Limited consists of a professional team with an average of over 10 year of expertise in the distribution of electronic components. Based in Hongkong, we have already established firm and mutual-benefit business relationships with customers from,Europe,America and south Asia,supplying obsolete and hard-to-find components to meet their specific needs.

With the principle of “Quality Parts,Customers Priority,Honest Operation,and Considerate Service”,our business mainly focus on the distribution of electronic components. Line cards we deal with include Microchip,ALPS,ROHM,Xilinx,Pulse,ON,Everlight and Freescale. Main products comprise IC,Modules,Potentiometer,IC Socket,Relay,Connector.Our parts cover such applications as commercial,industrial, and automotives areas.

We are looking forward to setting up business relationship with you and hope to provide you with the best service and solution. Let us make a better world for our industry!



Contact us

Tel: +86-755-8981 8866 Fax: +86-755-8427 6832

Email & Skype: info@chipsmall.com Web: www.chipsmall.com

Address: A1208, Overseas Decoration Building, #122 Zhenhua RD., Futian, Shenzhen, China



Customer Information Sheet

DRAWING No.: D3086-XX

SHEET 2 OF 2

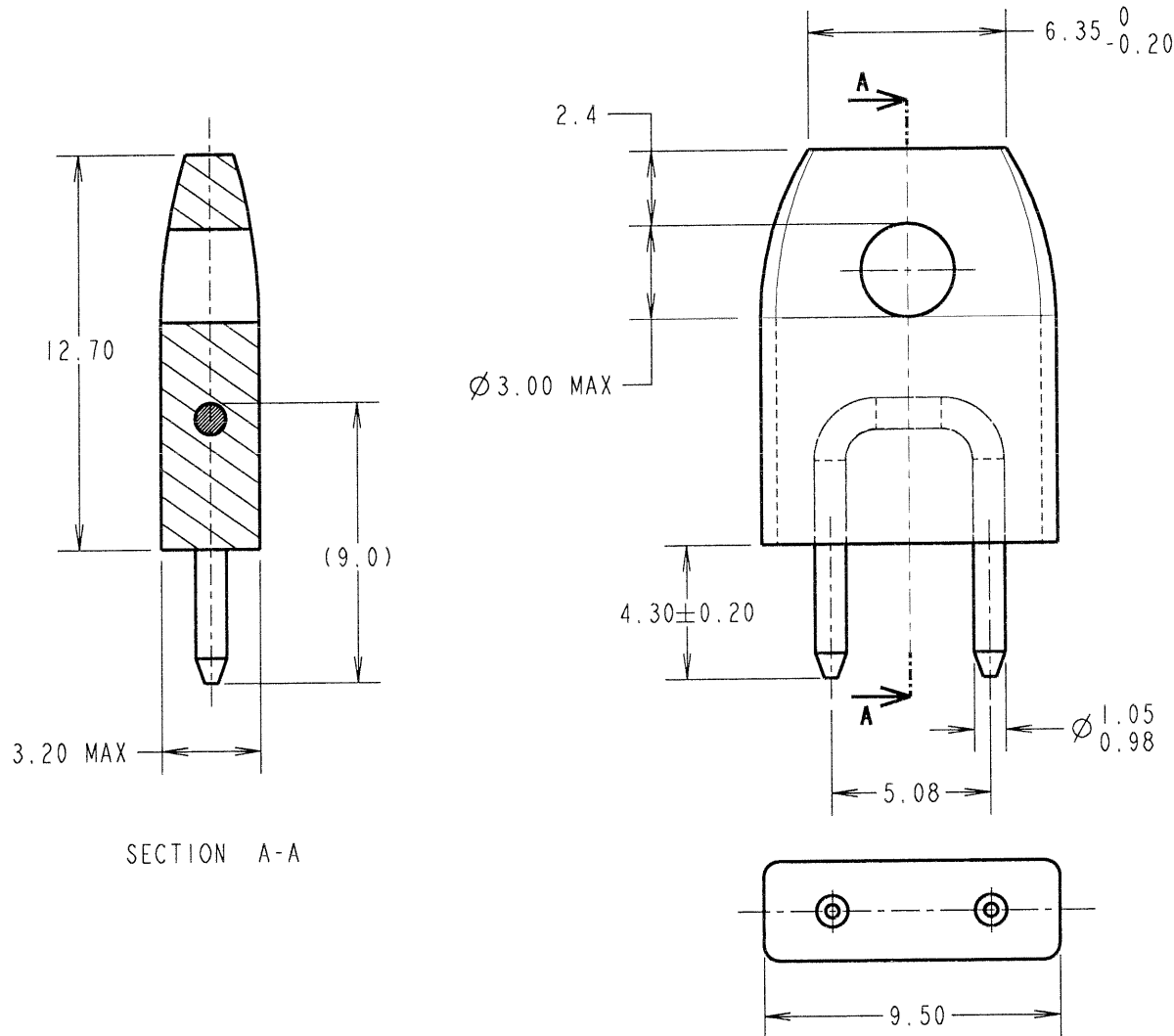
IF IN DOUBT - ASK

Ⓒ

NOT TO SCALE

THIRD ANGLE PROJECTION

ALL DIMENSIONS IN mm



SPECIFICATION:

MATERIAL:

INSULATOR = PBT, UL94V-0

CONTACT = BRASS

FINISH:

CONTACT = 0.1μ GOLD OVER NICKEL

ELECTRICAL:

CURRENT RATING = 10A AT 20°C

PACKING:

BAG

ORDER CODE:

D3086-XX

INSULATOR COLOUR

- 97 = BLUE
- 98 = BLACK
- 99 = RED

JMB	8	05.01.07	9636
NAME	ISS.	DATE	C/NOTE
APPROVED: <i>J.S.</i>			
CHECKED: <i>M. P. 100</i>			
DRAWN: K. SHIER			
CUSTOMER REF.:			
ASSEMBLY DRG:			

HARWIN

THIS DRAWING AND ANY INFORMATION OR DESCRIPTIVE MATTER SET OUT HEREON ARE CONFIDENTIAL AND COPYRIGHT PROPERTY OF THE HARWIN GROUP AND MUST NOT BE DISCLOSED, LOANED, COPIED OR USED FOR MANUFACTURING, TENDERING OR FOR ANY OTHER PURPOSE WITHOUT THEIR WRITTEN PERMISSION.

TOLERANCES

X. = ±1mm
 X.X = ±0.25mm
 X.XX = ±0.10mm
 X.XXX = ±0.01mm

ANGLES = ±5°

UNLESS STATED

MATERIAL:

SEE ABOVE

FINISH: SEE ABOVE

S/AREA:

mm²

TITLE:

∅1mm INSULATED SHORTING LINK

DRAWING NUMBER:

D3086-XX

SHT
2 OF 2

HARWIN INC
U.S.A.
TEL: (812) 542 2540
FAX: (812) 542 2541

HARWIN PLC
U.K.
TEL: 023 9231 4545
FAX: 023 9231 4590

HARWIN PTE
SINGAPORE
TEL: 65 6779 4909
FAX: 65 6779 3868