



Chipsmall Limited consists of a professional team with an average of over 10 year of expertise in the distribution of electronic components. Based in Hongkong, we have already established firm and mutual-benefit business relationships with customers from,Europe,America and south Asia,supplying obsolete and hard-to-find components to meet their specific needs.

With the principle of “Quality Parts,Customers Priority,Honest Operation,and Considerate Service”,our business mainly focus on the distribution of electronic components. Line cards we deal with include Microchip,ALPS,ROHM,Xilinx,Pulse,ON,Everlight and Freescale. Main products comprise IC,Modules,Potentiometer,IC Socket,Relay,Connector.Our parts cover such applications as commercial,industrial, and automotives areas.

We are looking forward to setting up business relationship with you and hope to provide you with the best service and solution. Let us make a better world for our industry!



Contact us

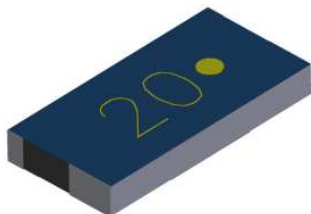
Tel: +86-755-8981 8866 Fax: +86-755-8427 6832

Email & Skype: info@chipsmall.com Web: www.chipsmall.com

Address: A1208, Overseas Decoration Building, #122 Zhenhua RD., Futian, Shenzhen, China



Surface Mount Attenuator 30 Watts, 20dB



The D30NA20Z4 is a high performance Aluminum Nitride (AlN) chip attenuator intended as a cost competitive alternative to Beryllium Oxide (BeO). The attenuator is well suited to all cellular frequency bands such as; AMPS, GSM, DCS, PCS, PHS and UMTS. The high power handling makes the part ideal for inter-stage matching, directional couplers, and for use in isolators. The attenuator is also RoHS compliant!

Features:

- RoHS Compliant
- 30 Watts
- Low Cost
- DC – 4.0GHz
- AlN Ceramic
- Non-Nichrome Resistive Element
- Low VSWR
- 100% Tested

General Specifications

Resistive Element	Thick film
Substrate	AlN Ceramic
Terminal Finish	Matte Tin over Nickel Barrier
Operating Temperature	-55 to +200°C (see de rating chart)

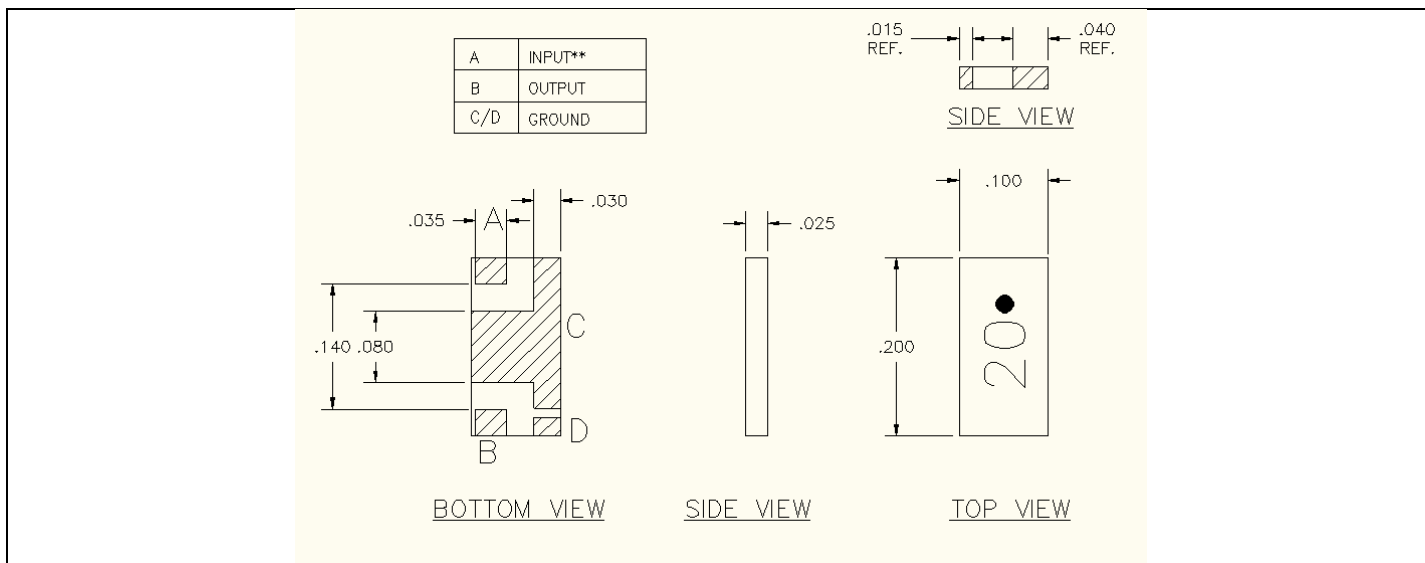
Tolerance is ± 0.010 ", unless otherwise specified. Designed to meet or exceed applicable portions of MIL-E-5400. **All dimensions in inches.**

Electrical Specifications

Attenuation Value:	20.2dB +/- .4dB; DC – 3.0GHz
	20.0dB +/- .6db; 3.0 – 4.0GHz
Power:	30 Watts
Frequency Range:	DC – 4.0GHz
Input Return Loss:	20dB DC - 3.0GHz
	16dB 3.0 – 4.0GHz

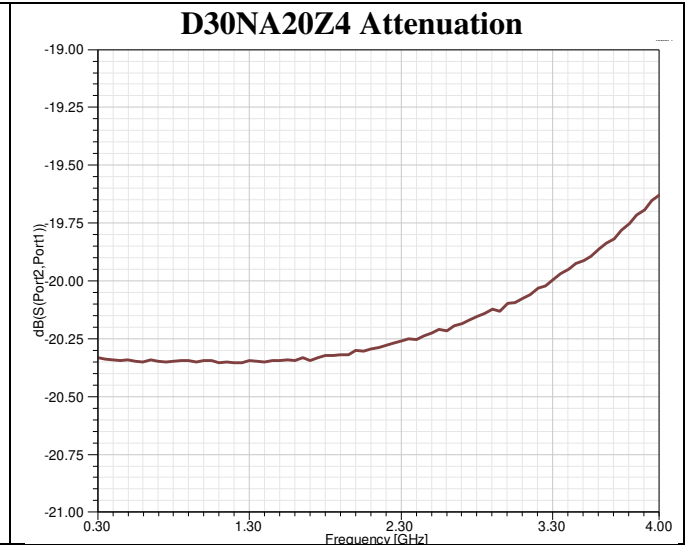
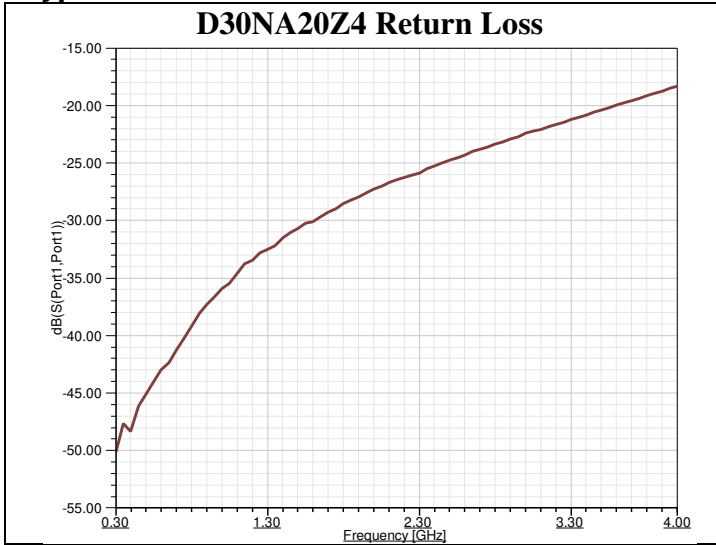
Specification based on unit properly installed using suggested mounting instructions and a 50 ohm nominal impedance. **Specifications subject to change.**

Outline Drawing

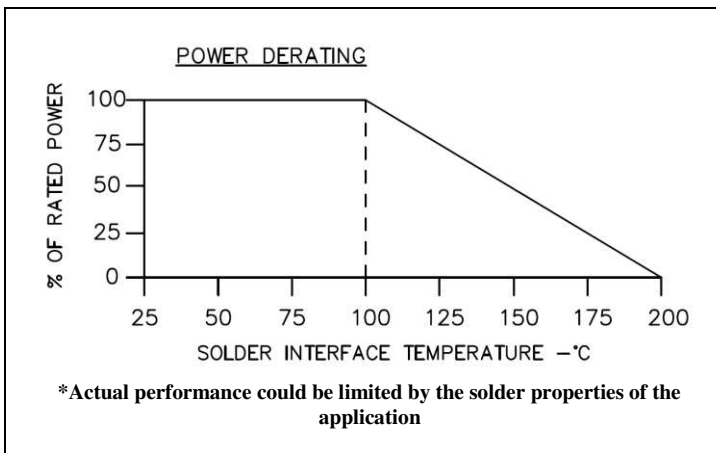


** FOR PROPER OPERATION PAD 'A' MUST BE CONNECTED TO THE INPUT
UNLESS OTHERWISE SPECIFIED ALL DIMENSIONS ARE IN INCHES

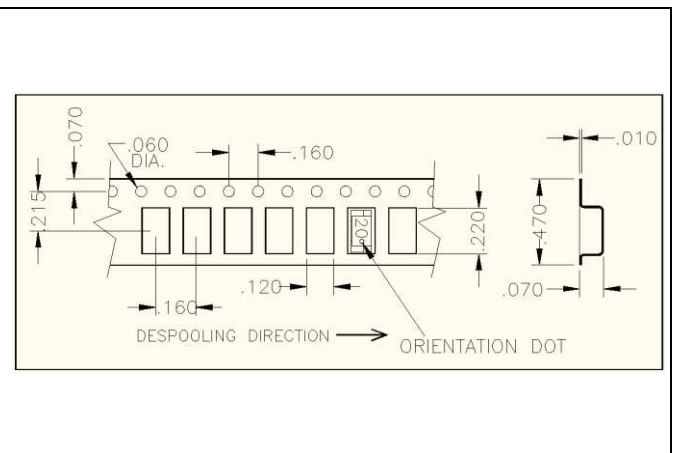
Typical Performance:



Power De-rating:



Tape and Reel:



Mounting Footprint:

Dimensions: .034 typ., .131, .040 Ground, .068, .034, .241, 50 ohm line, φ.101, 2x 2-56 Screw Hole

Dimension given in inches.
For best thermal performance the PCB should be placed with thermal joint compound to the heat sink.

MOUNTING PROCEDURE

1. DRILL THERMAL VIA THROUGH PCB AND FILL WITH SOLDER, SUCH AS Sn88.
2. SOLDER PART IN PLACE USING Sn88 TYPE SOLDER WITH A CONTROLLED TEMPERATURE IRON (250°C)
3. TO ENSURE GOOD THERMAL CONNECTIVITY TO HEAT SINK, DRILL AND TAP HEAT SINK AND MOUNT PCB BOARD TO HEAT SINK USING SCREWS.