



Chipsmall Limited consists of a professional team with an average of over 10 year of expertise in the distribution of electronic components. Based in Hongkong, we have already established firm and mutual-benefit business relationships with customers from,Europe,America and south Asia,supplying obsolete and hard-to-find components to meet their specific needs.

With the principle of “Quality Parts,Customers Priority,Honest Operation,and Considerate Service”,our business mainly focus on the distribution of electronic components. Line cards we deal with include Microchip,ALPS,ROHM,Xilinx,Pulse,ON,Everlight and Freescale. Main products comprise IC,Modules,Potentiometer,IC Socket,Relay,Connector.Our parts cover such applications as commercial,industrial, and automotives areas.

We are looking forward to setting up business relationship with you and hope to provide you with the best service and solution. Let us make a better world for our industry!



## Contact us

Tel: +86-755-8981 8866 Fax: +86-755-8427 6832

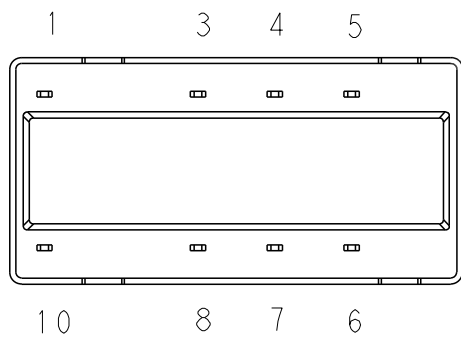
Email & Skype: info@chipsmall.com Web: www.chipsmall.com

Address: A1208, Overseas Decoration Building, #122 Zhenhua RD., Futian, Shenzhen, China

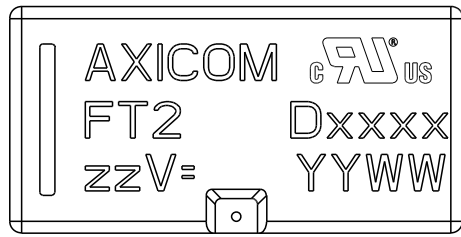
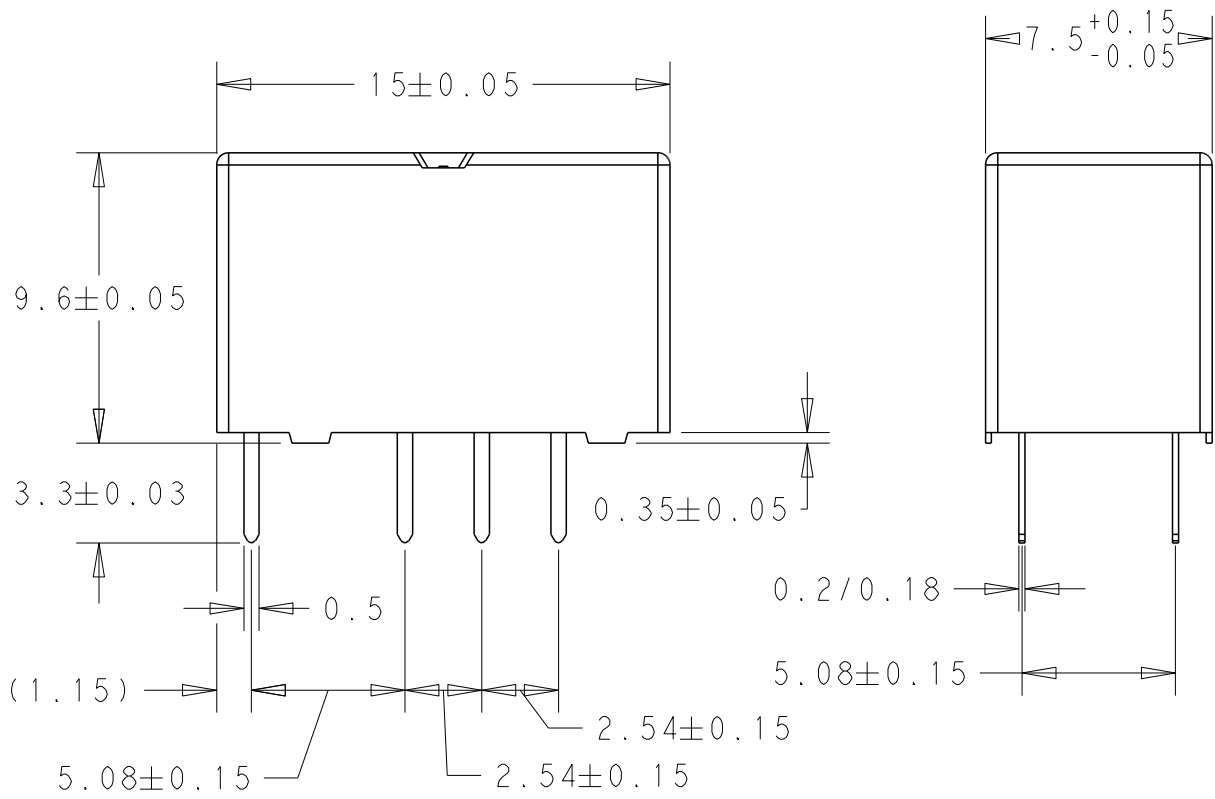


USED ON FT2 relay THT

DWG NO  
1462035-1



Relay - bottom view



xxxx = Relay Type  
zz = Nominal Voltage  
YYWW = Date Code

A6	ECR-15-000926	20.1.15	VG	PH	DWN CW 9196	26-Mar-98	CHK EG 9192	26-Mar-98	APVD HD 9121	26-Mar-98	
A5	ECO-11-005150	21.3.11	RK	HMR	DIMENSIONS: mm			MATERIAL	-	HT TR	-
					TOLERANCES UNLESS OTHERWISE SPECIFIED:			TE Connectivity NAME FT Relay Dimensional Drawing			
					0 PLC ±- 1 PLC ±0.1 2 PLC ±0.01 3 PLC ±0.005 4 PLC ±0.0001 ANGLES ±-						
LTR	REVISION RECORD	DATE	DWN	APVD	SURFACE TEXTURE			THIS DRAWING IS A CONTROLLED DOCUMENT.			
SCALE		SIZE/FMT		DRAWING NO			SHEET		REV		
4:1		A4		C - 1462035-1			1 OF 1		A6		