



Chipsmall Limited consists of a professional team with an average of over 10 year of expertise in the distribution of electronic components. Based in Hongkong, we have already established firm and mutual-benefit business relationships with customers from,Europe,America and south Asia,supplying obsolete and hard-to-find components to meet their specific needs.

With the principle of “Quality Parts,Customers Priority,Honest Operation,and Considerate Service”,our business mainly focus on the distribution of electronic components. Line cards we deal with include Microchip,ALPS,ROHM,Xilinx,Pulse,ON,Everlight and Freescale. Main products comprise IC,Modules,Potentiometer,IC Socket,Relay,Connector.Our parts cover such applications as commercial,industrial, and automotives areas.

We are looking forward to setting up business relationship with you and hope to provide you with the best service and solution. Let us make a better world for our industry!



Contact us

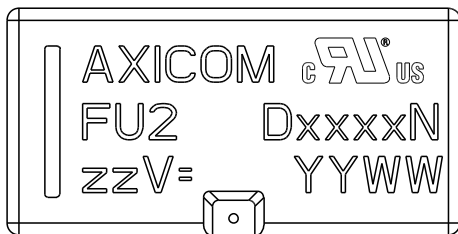
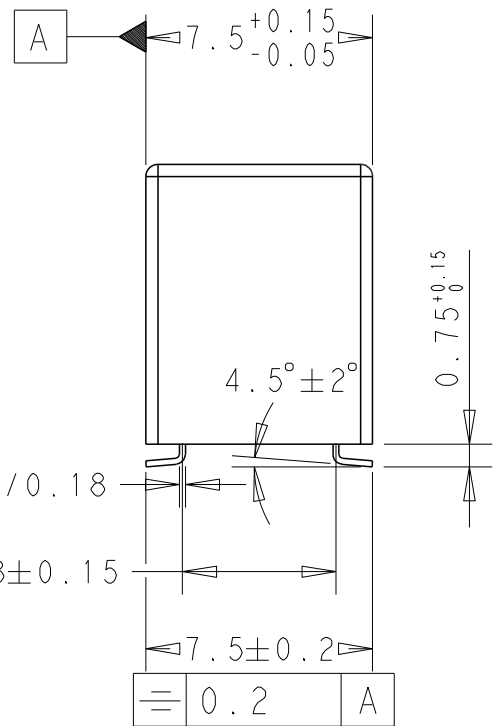
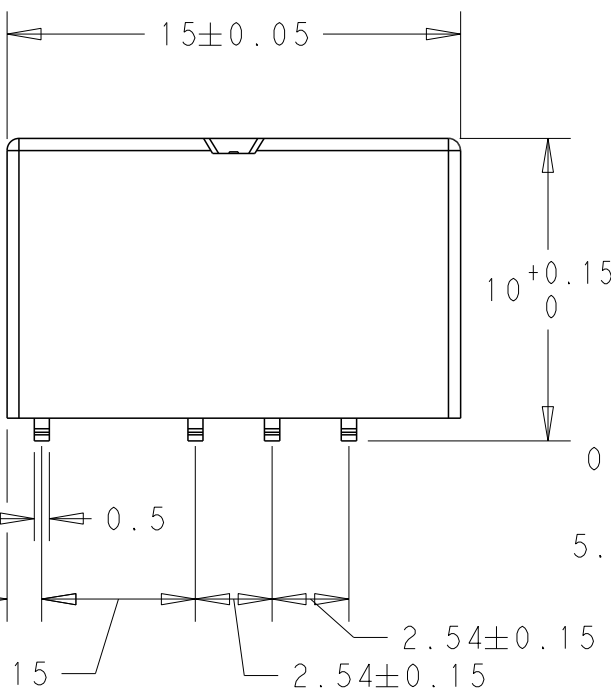
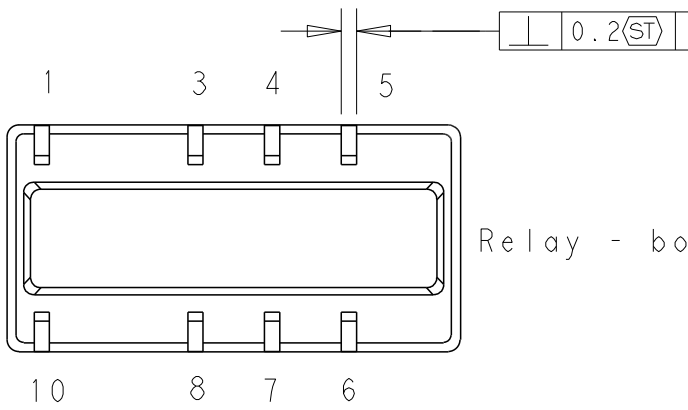
Tel: +86-755-8981 8866 Fax: +86-755-8427 6832

Email & Skype: info@chipsmall.com Web: www.chipsmall.com

Address: A1208, Overseas Decoration Building, #122 Zhenhua RD., Futian, Shenzhen, China



USED ON FU2 SMT short term.



Coplanarity < 0.100 mm

xxxx = Relay Type
 zz = Nominal Voltage
 YYWW = Date Code

DWG NO
1462036-1

AND AFFILIATES (TE). IT MAY NOT BE DISCLOSED TO ANYONE, OTHER THAN TE PERSONNEL, WITHOUT AUTHORIZATION FROM TE (www.TE.com).

A7	ECR-15-000926	20.1.15	VG	PH	DWN	31-Oct-97	CHK	31-Oct-97	APVD	31-Oct-97
A6	ECR-11-015637	17.7.13	MV	PH	CW	9196	EG	9192	HD9121	
A5	ECO-11-005150	21.3.11	RK	HMR	DIMENSIONS:			MATERIAL		
					mm			- - -		
					TOLERANCES UNLESS OTHERWISE SPECIFIED:			TE Connectivity		
					0 PLC ±-			NAME		
					1 PLC ±0.1			FU2-W Relay		
					2 PLC ±0.01			Dimensional Drawing		
					3 PLC ±0.005					
					4 PLC ±0.0001					
					ANGLES ±-					
LTR					SURFACE TEXTURE					
THIS DRAWING IS A CONTROLLED DOCUMENT.					SCALE			SHEET		
					4:1			1 OF 1		
					SIZE/FMT			REV		
					A4			A7		
					DRAWING NO					
					C - 1462036-1					