



Chipsmall Limited consists of a professional team with an average of over 10 year of expertise in the distribution of electronic components. Based in Hongkong, we have already established firm and mutual-benefit business relationships with customers from,Europe,America and south Asia,supplying obsolete and hard-to-find components to meet their specific needs.

With the principle of “Quality Parts,Customers Priority,Honest Operation,and Considerate Service”,our business mainly focus on the distribution of electronic components. Line cards we deal with include Microchip,ALPS,ROHM,Xilinx,Pulse,ON,Everlight and Freescale. Main products comprise IC,Modules,Potentiometer,IC Socket,Relay,Connector.Our parts cover such applications as commercial,industrial, and automotives areas.

We are looking forward to setting up business relationship with you and hope to provide you with the best service and solution. Let us make a better world for our industry!



Contact us

Tel: +86-755-8981 8866 Fax: +86-755-8427 6832

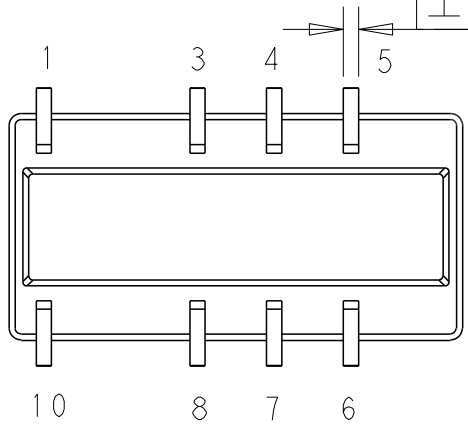
Email & Skype: info@chipsmall.com Web: www.chipsmall.com

Address: A1208, Overseas Decoration Building, #122 Zhenhua RD., Futian, Shenzhen, China



USED ON FU2 SMT long term.

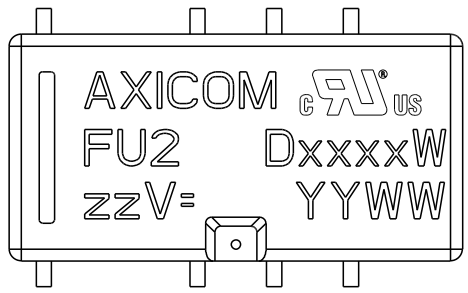
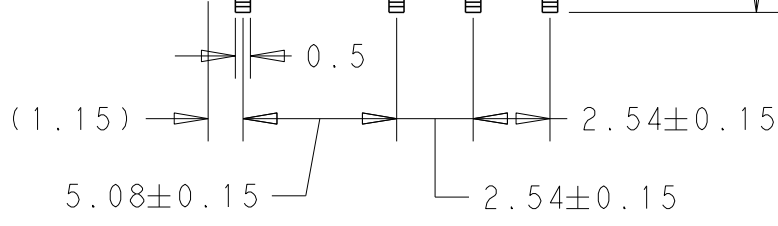
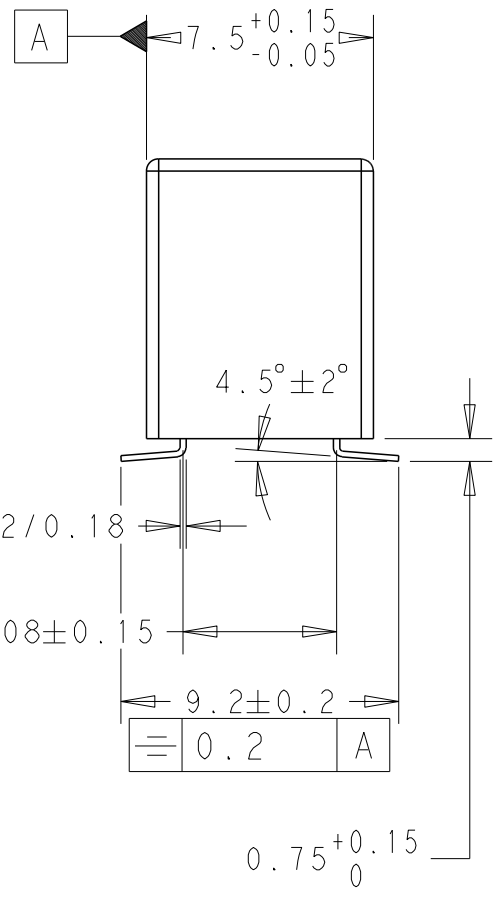
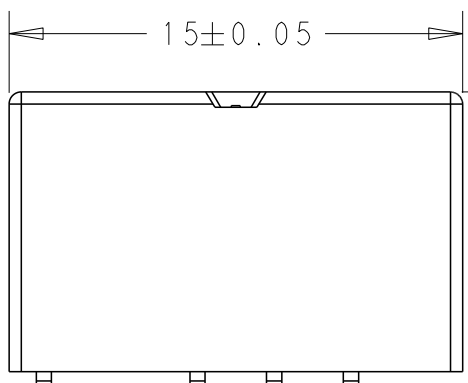
⊥ 0.2 ST A



Relay - bottom view

DWG NO
1462036-2

AND AFFILIATES (TE). IT MAY NOT BE DISCLOSED TO ANYONE, OTHER THAN TE PERSONNEL, WITHOUT AUTHORIZATION FROM TE (www.TE.com).



Coplanarity < 0.100 mm

xxxx = Relay Type
zz = Nominal Voltage
YYWW = Date Code

A7	ECR-15-000926	20.1.15	VG	PH	DWN	26-Mar-98	CHK	26-Mar-98	APVD	26-Mar-98
A6	ECR-11-015637	17.7.13	MV	PH	CW	9196	EG	9192	HD	9121
A5	ECO-11-005150	21.3.11	RK	HMR	DIMENSIONS: mm			MATERIAL - - HT TR - -		
					TOLERANCES UNLESS OTHERWISE SPECIFIED:			TE Connectivity		
					0 PLC ±-			NAME		
					1 PLC ±0.1			FU2-W Relay		
					2 PLC ±0.01			Dimensional Drawing		
					3 PLC ±0.005					
					4 PLC ±0.0001					
					ANGLES ±-					
LTR REVISION RECORD DATE DWN APVD					SURFACE TEXTURE					
THIS DRAWING IS A CONTROLLED DOCUMENT.					SCALE 4:1			SHEET 1 OF 1		
					SIZE/FMT A4			REV A7		
					DRAWING NO C - 1462036-2					