



Chipsmall Limited consists of a professional team with an average of over 10 year of expertise in the distribution of electronic components. Based in Hongkong, we have already established firm and mutual-benefit business relationships with customers from,Europe,America and south Asia,supplying obsolete and hard-to-find components to meet their specific needs.

With the principle of “Quality Parts,Customers Priority,Honest Operation,and Considerate Service”,our business mainly focus on the distribution of electronic components. Line cards we deal with include Microchip,ALPS,ROHM,Xilinx,Pulse,ON,Everlight and Freescale. Main products comprise IC,Modules,Potentiometer,IC Socket,Relay,Connector.Our parts cover such applications as commercial,industrial, and automotives areas.

We are looking forward to setting up business relationship with you and hope to provide you with the best service and solution. Let us make a better world for our industry!



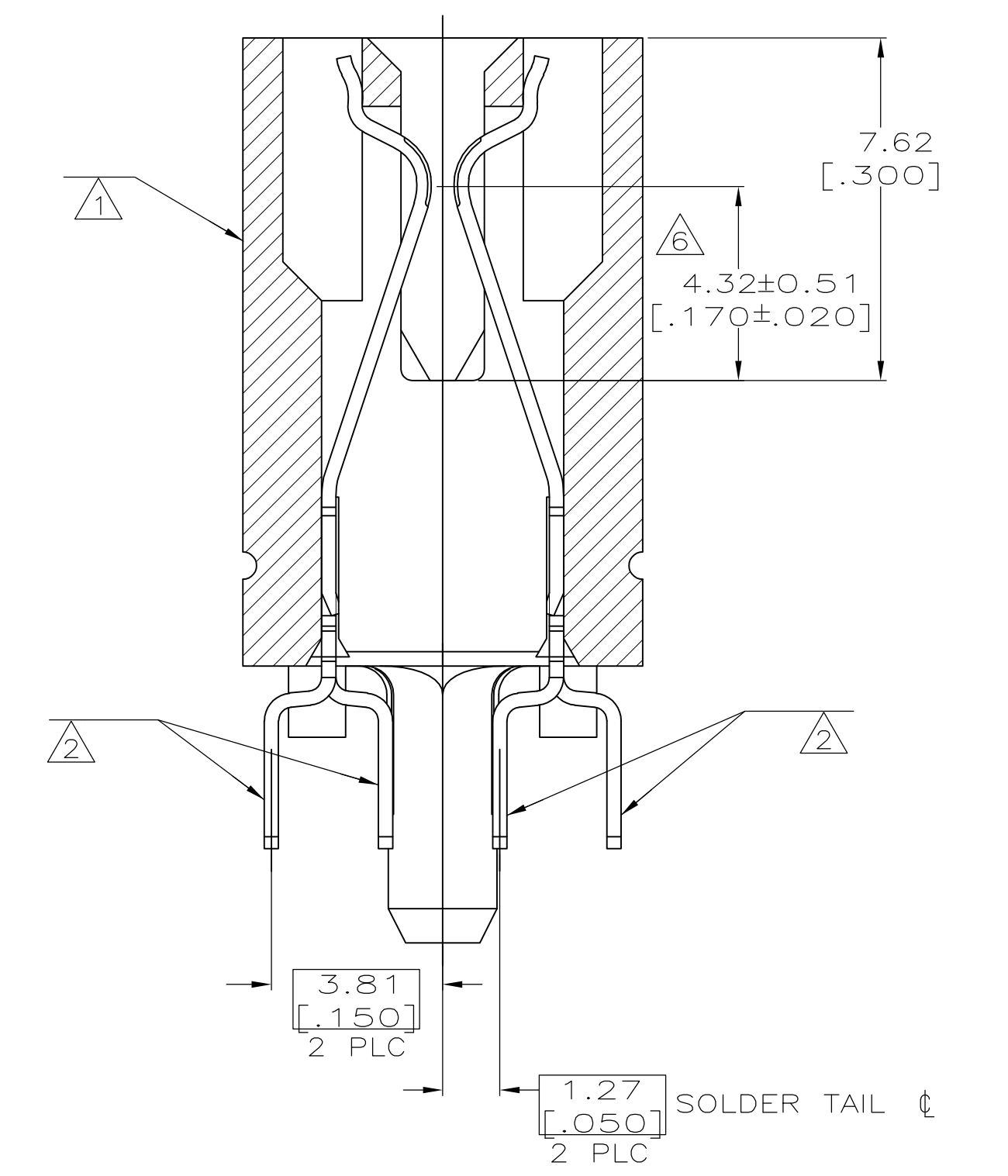
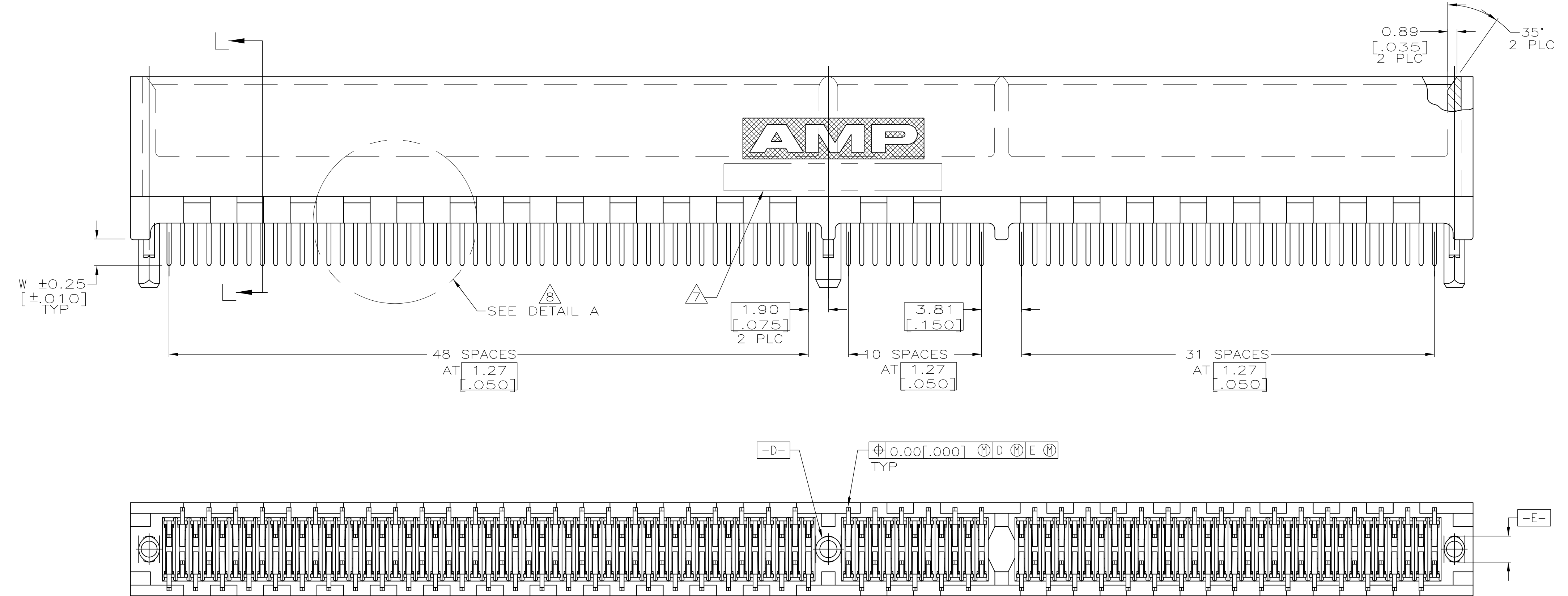
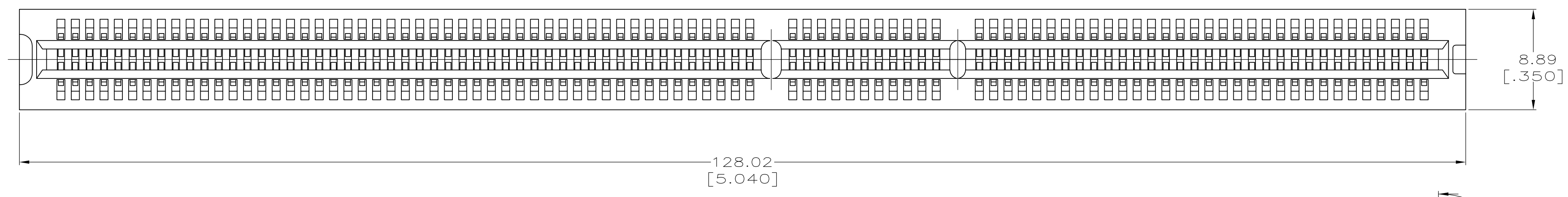
Contact us

Tel: +86-755-8981 8866 Fax: +86-755-8427 6832

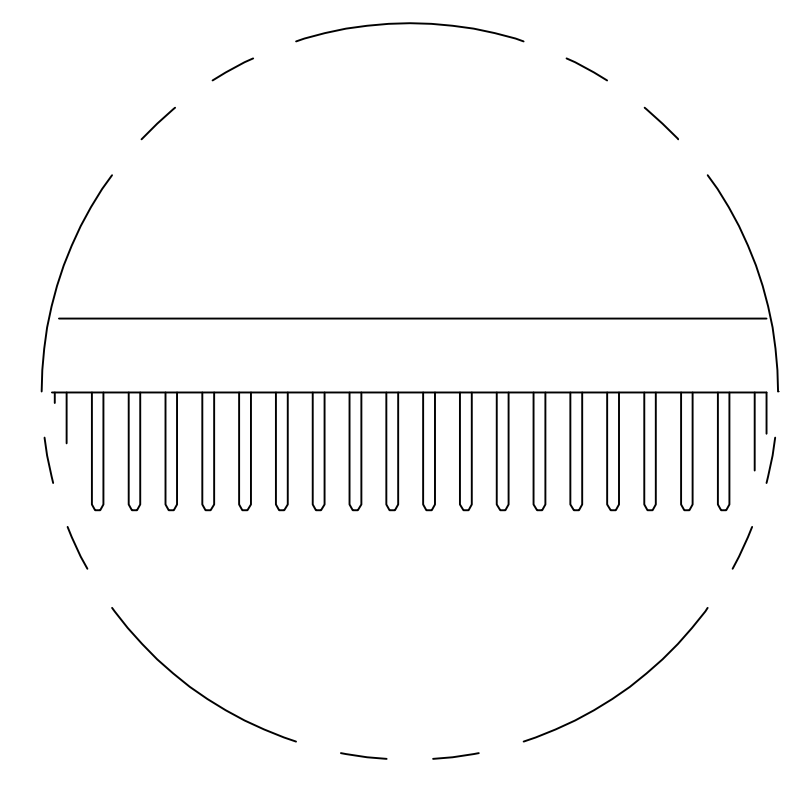
Email & Skype: info@chipsmall.com Web: www.chipsmall.com

Address: A1208, Overseas Decoration Building, #122 Zhenhua RD., Futian, Shenzhen, China





SEE SHEET 2 FOR HOLE PATTERN



- ① HOUSING: HIGH TEMPERATURE THERMOPLASTIC. COLOR - NATURAL
- ② CONTACT: PHOSPHOR BRONZE.
- ③ CONTACT FINISH: .001269 [.000050] MIN NICKEL ALL OVER. GOLD FLASH OVER NICKEL IN CONTACT AREA. .002537 [.000100] MIN TIN-LEAD OVER NICKEL ON SOLDER TAILS.
- ④ CONTACT FINISH: .001269 [.000050] MIN NICKEL ALL OVER. .000375 [.000015] MIN GOLD OVER NICKEL IN CONTACT AREA. .002537 [.000100] MIN TIN-LEAD OVER NICKEL ON SOLDER TAILS.
- ⑤ CONTACT FINISH: .001269 [.000050] MIN NICKEL ALL OVER. .000757 [.000030] MIN GOLD OVER NICKEL IN CONTACT AREA. .002537 [.000100] MIN TIN-LEAD OVER NICKEL ON SOLDER TAILS.
- ⑥ DISTANCE FROM CONTACT POINT TO BOTTOM OF CARD SLOT.
- ⑦ AMP PART NUMBER, DATE CODE AND CSA LOGO MARKED IN APPROXIMATE LOCATION SHOWN.
- ⑧ CORED OR SOLID SIDE WALLS ARE AT DISCRETION OF AMP INCORPORATED.
- ⑨ OBSOLETE PARTS: OBSOLETE CIS STREAMLINING PER D.RENAUD/D.SINISI

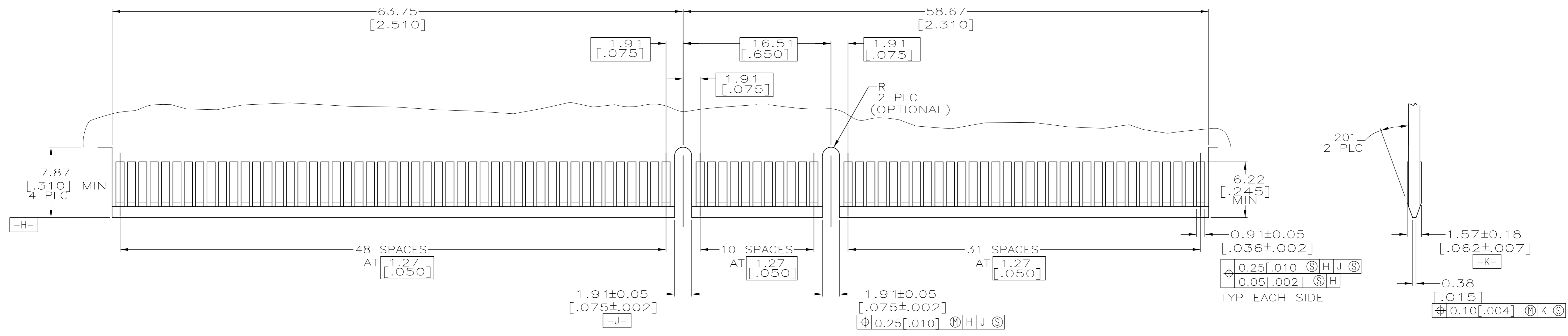
	3.56 [.140]	①	1-145166-2
	3.18 [.125]	①	145166-8
	2.54 [.100]	①	145166-4
OBSOLETE	2.54 [.100]	①	145166-3
⑨	2.54 [.100]	①	145166-2
OBSOLETE	2.54 [.100]	①	145166-1

THIS DRAWING IS A CONTROLLED DOCUMENT.

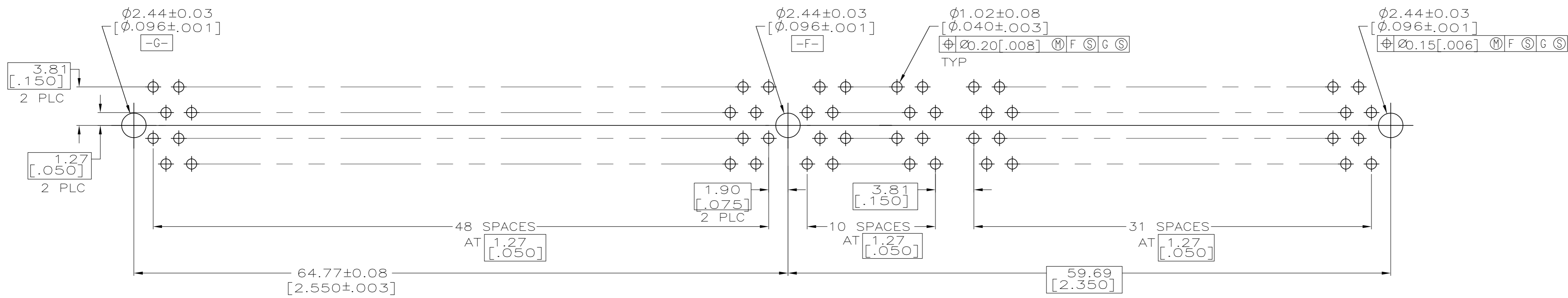
DIMENSIONS:	TOLERANCES UNLESS OTHERWISE SPECIFIED:	DWN	R BROWN	6/12/95
mm(INCHES)		CHK	M BOWERS	6/12/95
0 PLC ± -		PRODUCT SPEC	M BOWERS	6/12/95
1 PLC ± -		NAME		
2 PLC ± 0.25 [01]		108-14034		
3 PLC ± 0.127 [005]		APPLICATION SPEC		
4 PLC ± -		114-26012		
ANGLES ± 2°		WEIGHT		
MATERIAL	FINISH	SIZE	CAGE CODE	DRAWING NO
① ②	③ ④ ⑤	A1	00779	145166
CUSTOMER DRAWING		SCALE	4:1	SHEET 1 OF 2
		REV	F2	

STE TE Connectivity

CONNECTOR ASSEMBLY, 92 DUAL POSITION, 1.27 [.050] SERIES, STANDARD EDGE



RECOMMENDED MATING BOARD EDGE CONFIGURATION



RECOMMENDED CONNECTOR MOUNTING HOLE PATTERN (CONNECTOR SIDE SHOWN)

THIS DRAWING IS A CONTROLLED DOCUMENT.		OWN R BROWN 6/12/95	STE TE Connectivity	
DIMENSIONS: mm(INCHES)		CHK M BOWERS 6/12/95	NAME	
TOLERANCES UNLESS OTHERWISE SPECIFIED:		APVD M BOWERS 6/12/95	CONNECTOR ASSEMBLY, 92 DUAL POSITION, 1.27 [.050] SERIES, STANDARD EDGE	
0 PLC ± -	1 PLC ± -	PRODUCT SPEC	108-14034	
2 PLC ± 0.25 [.01]	3 PLC ± 0.127 [.005]	APPLICATION SPEC	114-26012	
4 PLC ± ±	ANGLES ± ±	FINISH	SIZE	CAGE CODE DRAWING NO
MATERIAL SEE SHEET 1	FINISH SEE SHEET 1	WEIGHT	A1	00779 145166
CUSTOMER DRAWING		SCALE	4:1	SHEET 2 OF 2 REV F2