



Chipsmall Limited consists of a professional team with an average of over 10 year of expertise in the distribution of electronic components. Based in Hongkong, we have already established firm and mutual-benefit business relationships with customers from,Europe,America and south Asia,supplying obsolete and hard-to-find components to meet their specific needs.

With the principle of “Quality Parts,Customers Priority,Honest Operation,and Considerate Service”,our business mainly focus on the distribution of electronic components. Line cards we deal with include Microchip,ALPS,ROHM,Xilinx,Pulse,ON,Everlight and Freescale. Main products comprise IC,Modules,Potentiometer,IC Socket,Relay,Connector.Our parts cover such applications as commercial,industrial, and automotives areas.

We are looking forward to setting up business relationship with you and hope to provide you with the best service and solution. Let us make a better world for our industry!



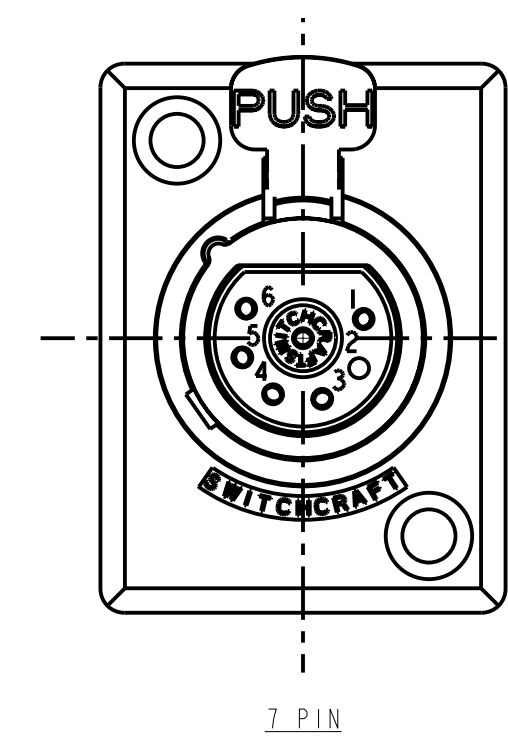
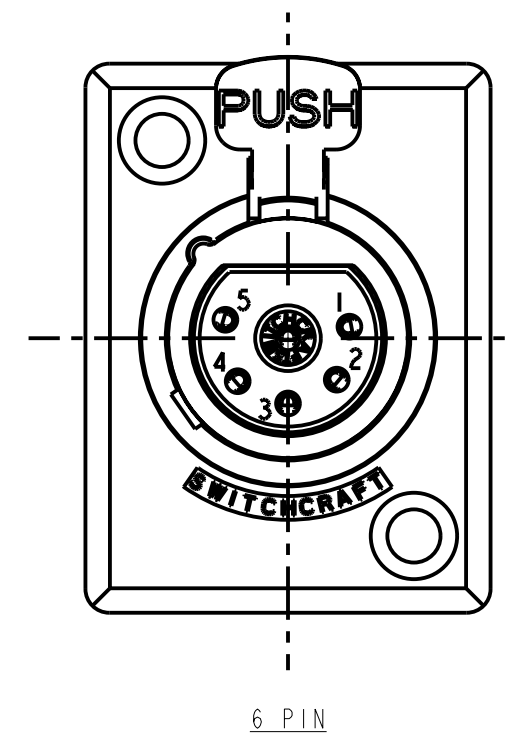
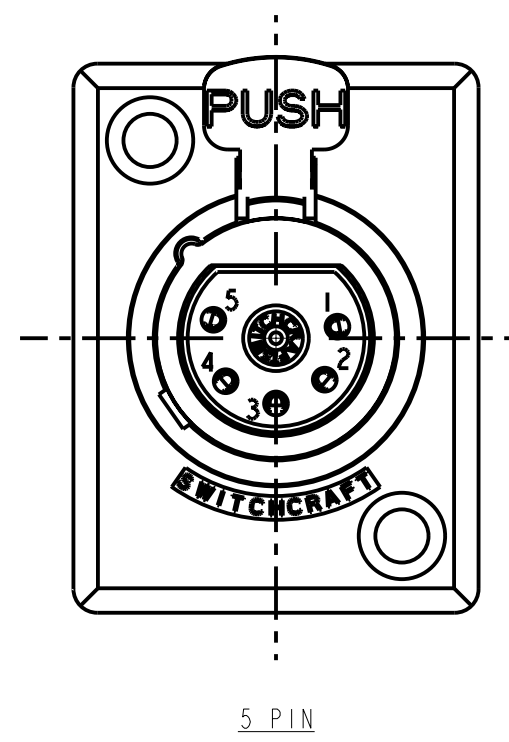
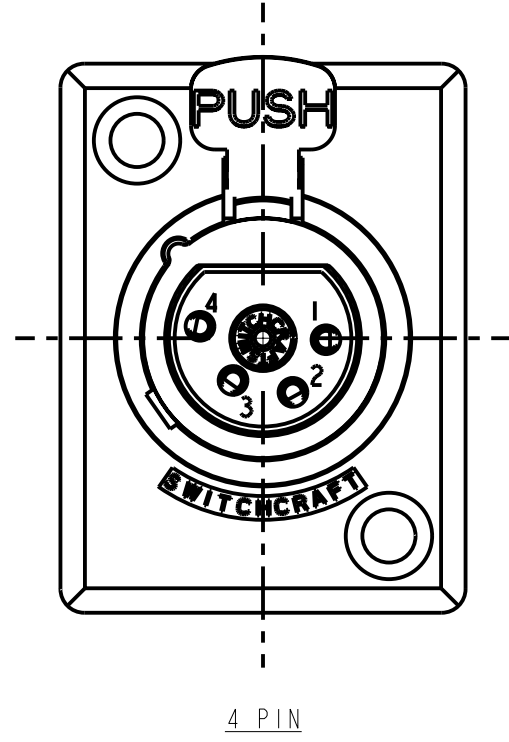
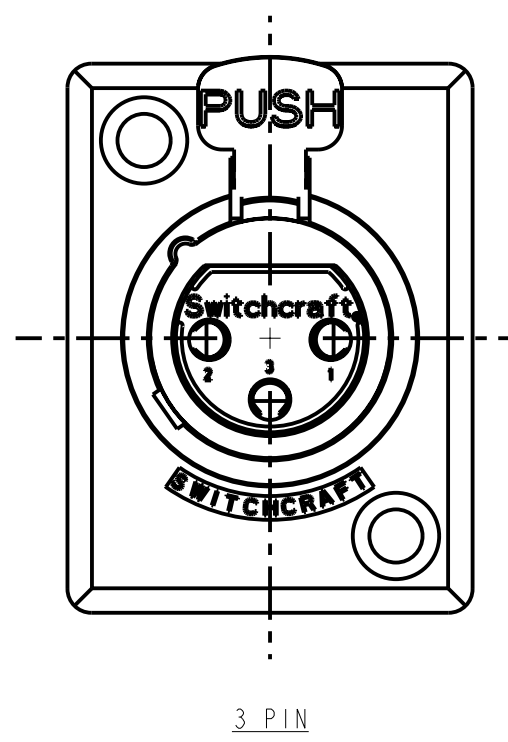
Contact us

Tel: +86-755-8981 8866 Fax: +86-755-8427 6832

Email & Skype: info@chipsmall.com Web: www.chipsmall.com

Address: A1208, Overseas Decoration Building, #122 Zhenhua RD., Futian, Shenzhen, China



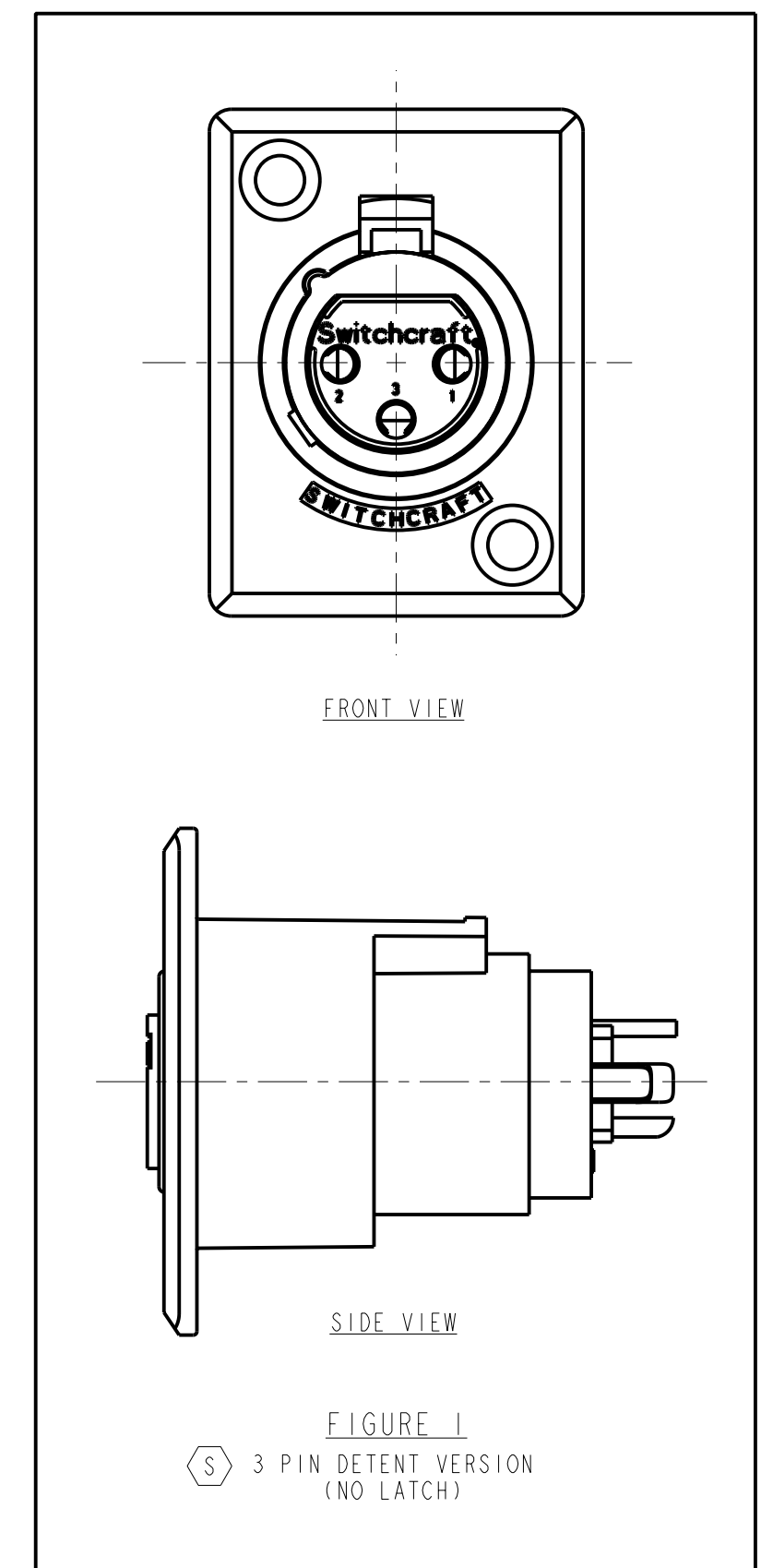
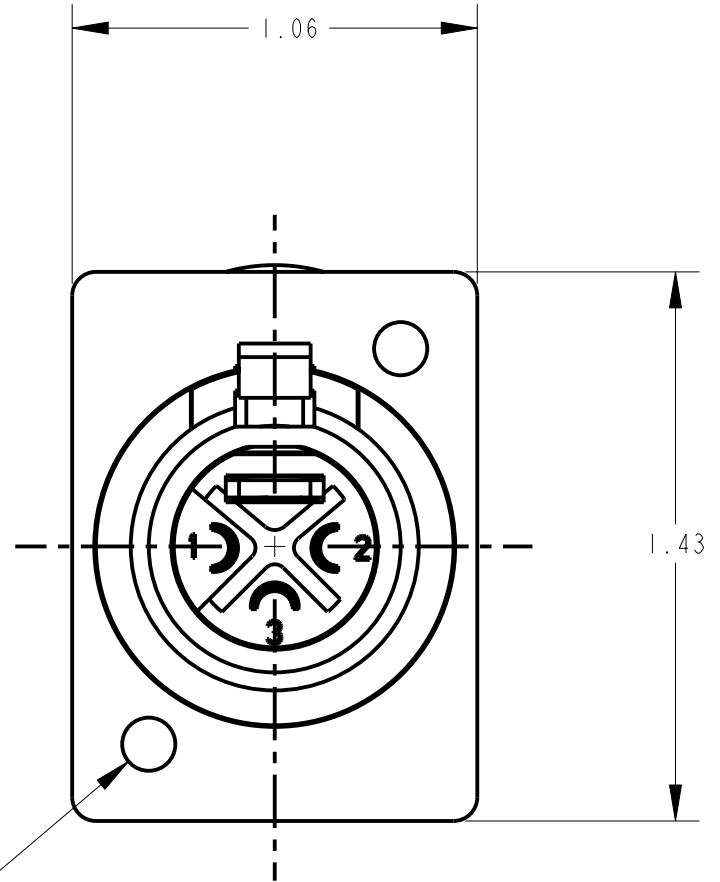
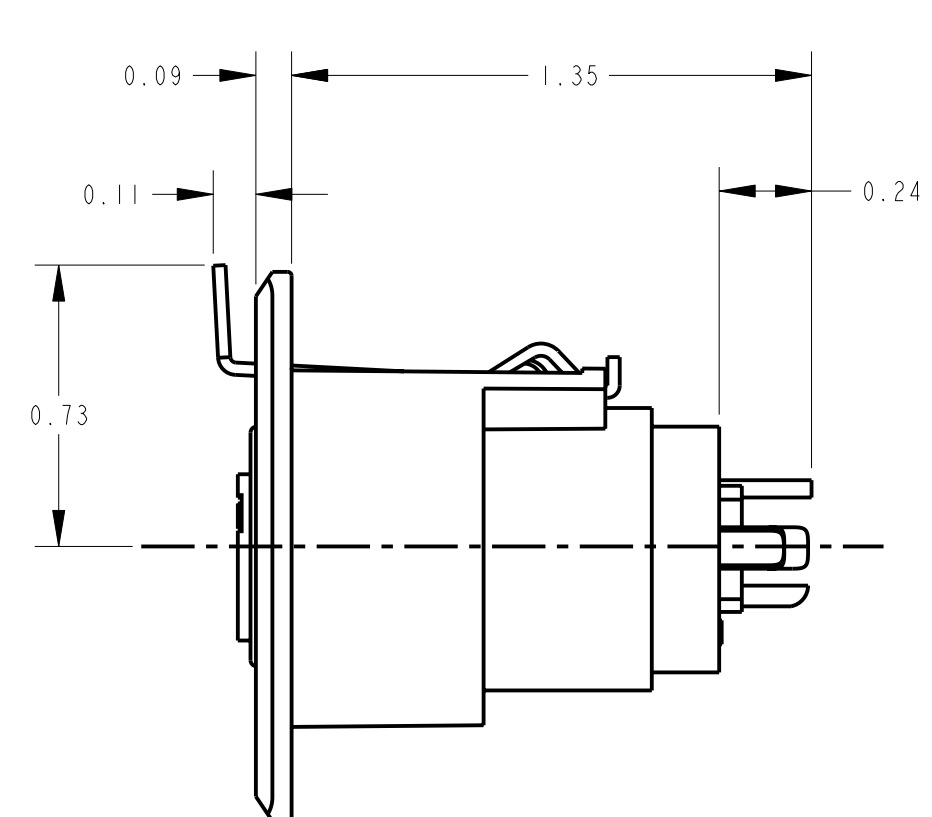
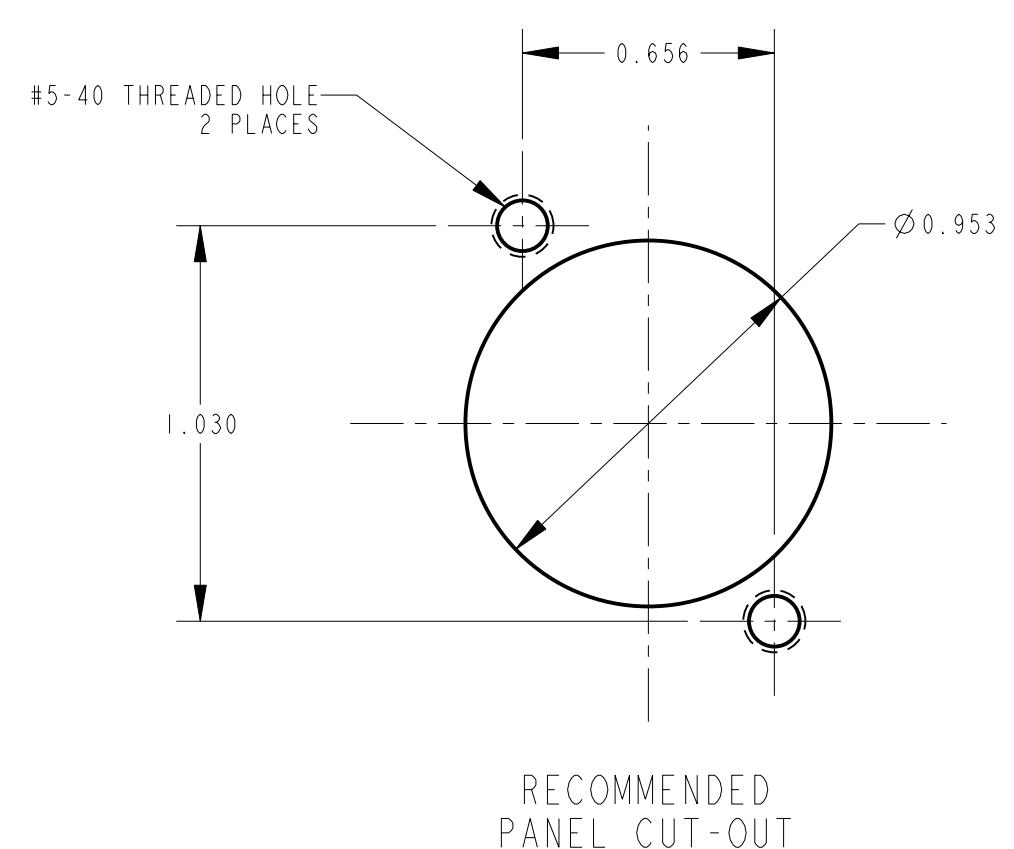
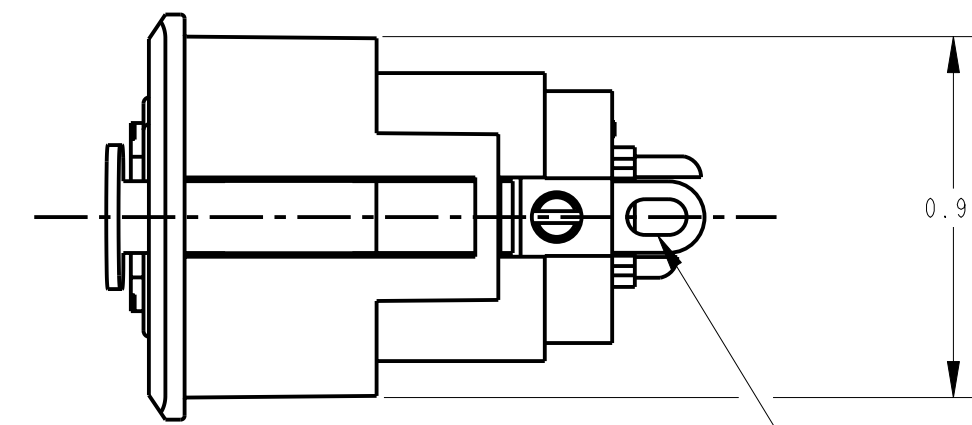


STANDARD SERIES

- SCREW - STAINLESS STEEL
 - SHELL - STAINLESS STEEL
 - LATCH BUTTON - ZINC, NICKEL PLATED
 - INSULATOR - POLYESTER, GREEN
 - SOLDER TERMINAL - BRASS, ELECTRO TIN
 - LATCH SPRING - STAINLESS STEEL
 - CONTACT PIN - PHOSPHOR BRONZE, SILVER PLATED
 - HOUSING - ZINC
 - RELEASE LEVER - STEEL, NICKEL PLATED
- CONTACT PLATING:
BLANK = SILVER (STANDARD)
AU = GOLD
- HOUSING FINISH:
BLANK = TEXTURED (STANDARD)
S = SANDED
- HOUSING PLATING: SEE NOTE 2
BLANK = NICKEL PLATE (STANDARD)
BX = BLACK RoHS
- LATCH TYPE:
BLANK = STANDARD LATCHLOCK
D = FAS-DIS-CONNECT DETENT (SEE FIGURE 1)
(NO LATCH)
- NO. OF CONTACTS:
3 = 3 CONTACTS
4 = 4 CONTACTS
5 = 5 CONTACTS
6 = 6 CONTACTS
7 = 7 CONTACTS

PROFESSIONAL SERIES

- HOUSING FINISH - MATTE CHROME
 - CONTACT PLATING - GOLD
- OGP 62
- NO. OF CONTACTS:
3 = 3 CONTACTS



- NOTES:
1. ALL DIMENSIONS REF. UNLESS OTHERWISE SPECIFIED.
 2. BLACK HOUSING AND INSERT WITH SATIN NICKEL PLATED LATCH.
 3. THIS PRODUCT IS RoHS COMPLIANT.

REV	ECO NUMBER	DATE	BY	APVD
S	26158	10-4-06	TO	TJK
R	ECO #22895	9-20-99	TJK	TJK

REVISIONS

★ STAR SYMBOL DENOTES CRITICAL DIMENSION

UNLESS OTHERWISE SPECIFIED

1. ALL DIMENSIONS IN INCHES
- TWO PLACE DECIMALS ±0.01
- THREE PLACE DECIMALS ±0.005
- FRACTIONAL DIMENSIONS ±1/64
- ANGLES ±1°
- ALL DIA. CONCENTRIC WITHIN 0.005 T.I.R.
2. FEATURES ON THE SAME CENTERLINE MUST BE ALIGNED WITHIN ±0.002
3. REMOVE ALL BURRS

DO NOT SCALE DRAWING

THIS DRAWING DESCRIBES A DESIGN CONSIDERED PROPRIETARY IN NATURE, DEVELOPED AND MANUFACTURED BY SWITCHCRAFT INC. AND IS RELEASED ON A CONFIDENTIAL BASIS FOR IDENTIFICATION PURPOSES ONLY.				
SIZE	WIDTH	MULT	LBS/M	TEMPER
FINISH		SCALE		MATERIAL
SPEC No.		2:1		SPEC No.
FIRST USED ON		DATE DRAWN		BY
7-Feb-94		7-Feb-94		SG
CHKD		APVD		
AA		GHJ		
7-11-94		7-11-94		
NAME				REV
D SERIES FEMALE OG, RoHS				S

CUSTOMER DRAWING

Switchcraft

SHEET 1 OF 1

D_F SERIES