



Chipsmall Limited consists of a professional team with an average of over 10 year of expertise in the distribution of electronic components. Based in Hongkong, we have already established firm and mutual-benefit business relationships with customers from,Europe,America and south Asia,supplying obsolete and hard-to-find components to meet their specific needs.

With the principle of “Quality Parts,Customers Priority,Honest Operation,and Considerate Service”,our business mainly focus on the distribution of electronic components. Line cards we deal with include Microchip,ALPS,ROHM,Xilinx,Pulse,ON,Everlight and Freescale. Main products comprise IC,Modules,Potentiometer,IC Socket,Relay,Connector.Our parts cover such applications as commercial,industrial, and automotives areas.

We are looking forward to setting up business relationship with you and hope to provide you with the best service and solution. Let us make a better world for our industry!



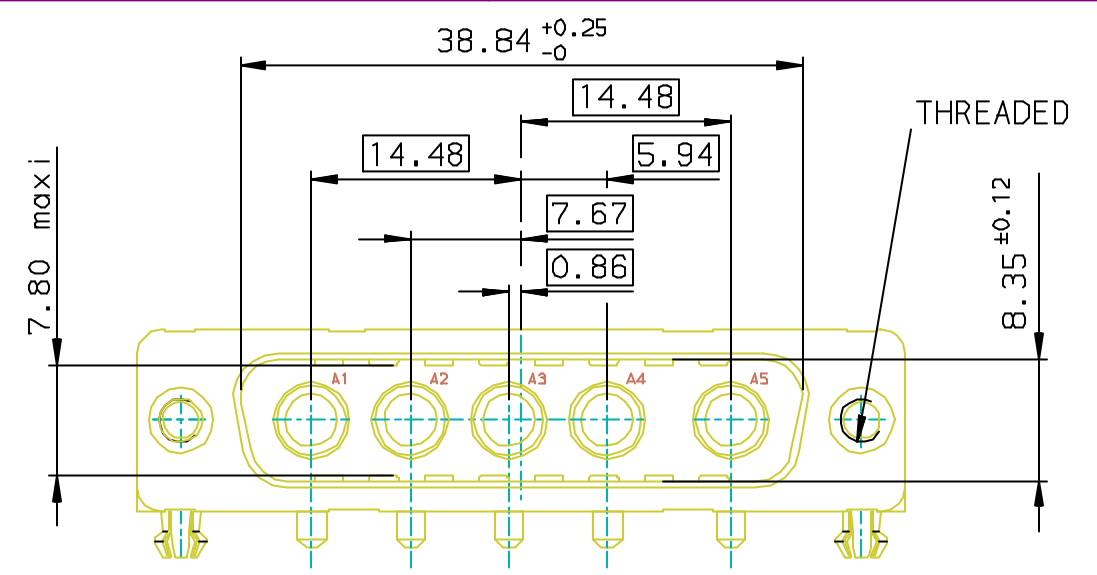
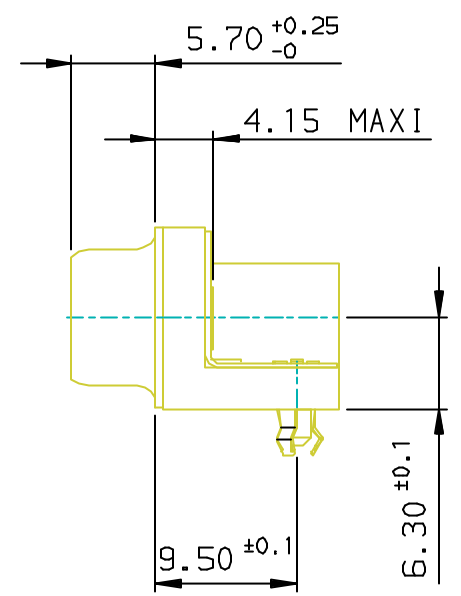
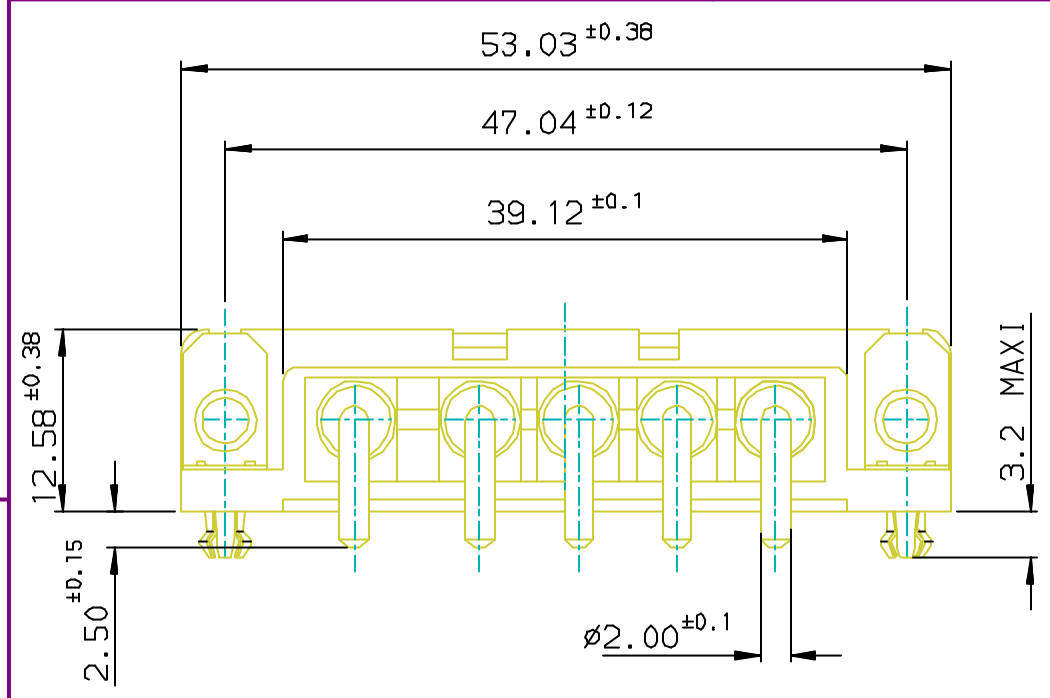
## Contact us

Tel: +86-755-8981 8866 Fax: +86-755-8427 6832

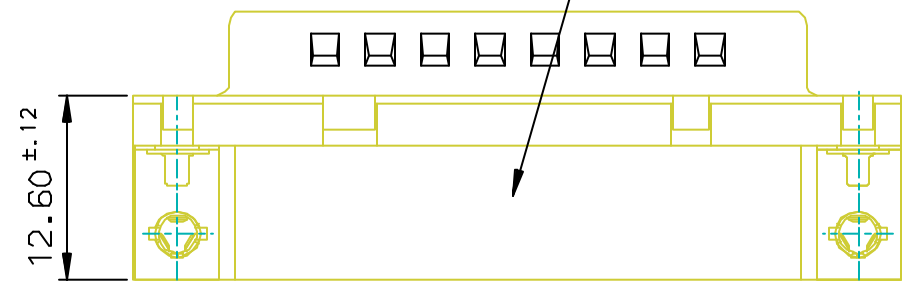
Email & Skype: info@chipsmall.com Web: www.chipsmall.com

Address: A1208, Overseas Decoration Building, #122 Zhenhua RD., Futian, Shenzhen, China



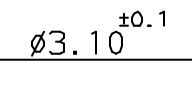
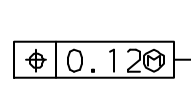


Part Number & Date Code Printing

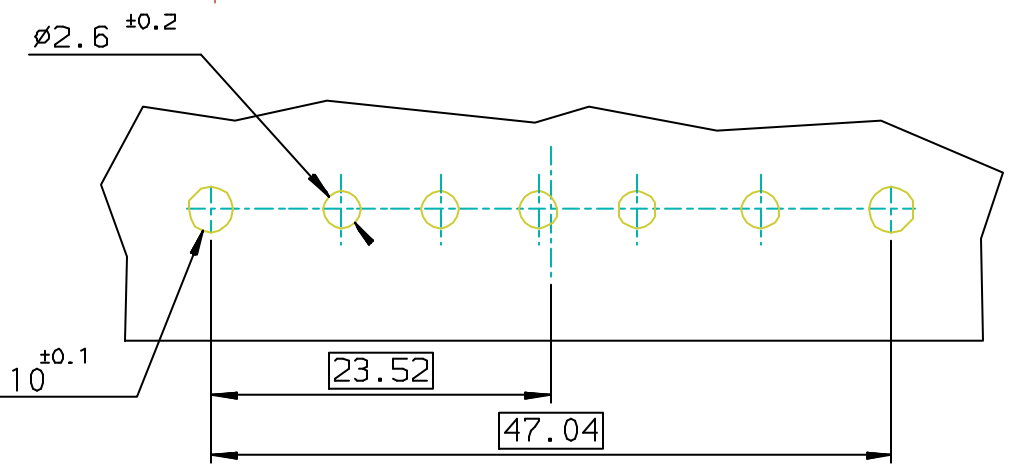


D5W5P36A6GX08**	UNC 4.40
D5W5P36A6GL08**	M3
PART NUMBER	THREADED

LF FOR LEAD FREE



PC CARD DRILLING DIMENSIONS  
Components side view - Thickness 1.60mm



**REQUIREMENTS**

Technical characteristics:

- Material contacts - brass
- Finish on contact area -gold 0.76µ mini over nickel
- Finish on terminaison end - bright tin - Lead over nickel

Shell: steel tin/Zinc Cr3 plated  
 Insulators: self-extinguishing thermoplastic, ULclass94V0  
 Grounding brackets: brass, tin/Zinc Cr3 plated  
 Insert M3 :brass, tin/Zinc Cr3 plated  
 Harpoon: brass , tin plated

Climatic characteristics:

Operating temperature range: -55°C +125°C

Dimensions:

in accordance with MIL-C-24308

FOR ROHS DETAILS REFER DWG.NO:C01-8646-0000

European Views

rev	ecn no	dr	date
C	105-0124	JS	2005/07/27
D	106-0074	SK	2006/06/08
-	-	-	-
-	-	-	-
-	-	-	-
-	-	-	-

www.fciconnect.com		surface ISO 1302 ✓	tolerance std ISO 406 ISO 1101	projection mm
TOLERANCES UNLESS OTHERWISE SPECIFIED				
Dr	JOHN SLEEBA	2001/02/06	ANGULAR	0.X ±0.1
Eng	GEORGE VJ	2001/02/06	LINEAR	0.XX ±0.1
Chr	GEORGE VJ	2005/07/27	0.XX* ±1*	0.XXX ±0.1
Appr	KVSD	2005/07/27	Product family	D-SUB
FCi		title MALE CONNECT. 5W5 metal plate, harpoons, insert		Rev. D
catalog no		DELTA-D		spec ref -
dwg no		C01-8646-0771		sheet 1 of 1



Copyright FCI.