



Chipsmall Limited consists of a professional team with an average of over 10 year of expertise in the distribution of electronic components. Based in Hongkong, we have already established firm and mutual-benefit business relationships with customers from,Europe,America and south Asia,supplying obsolete and hard-to-find components to meet their specific needs.

With the principle of “Quality Parts,Customers Priority,Honest Operation,and Considerate Service”,our business mainly focus on the distribution of electronic components. Line cards we deal with include Microchip,ALPS,ROHM,Xilinx,Pulse,ON,Everlight and Freescale. Main products comprise IC,Modules,Potentiometer,IC Socket,Relay,Connector.Our parts cover such applications as commercial,industrial, and automotives areas.

We are looking forward to setting up business relationship with you and hope to provide you with the best service and solution. Let us make a better world for our industry!



Contact us

Tel: +86-755-8981 8866 Fax: +86-755-8427 6832

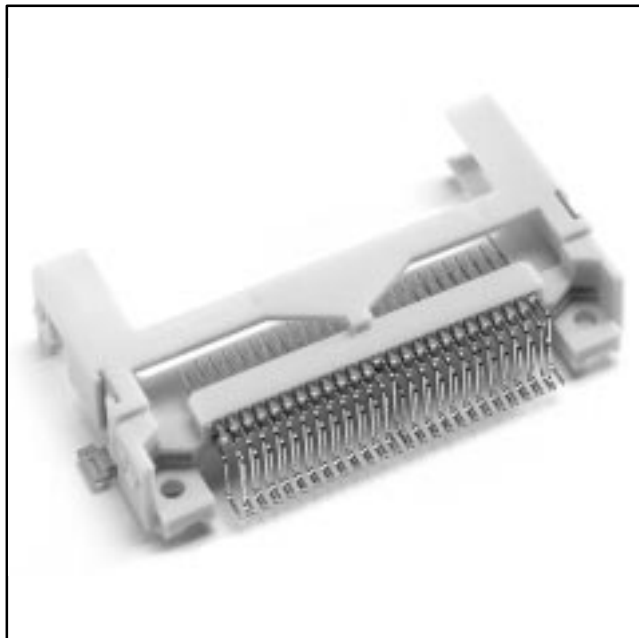
Email & Skype: info@chipsmall.com Web: www.chipsmall.com

Address: A1208, Overseas Decoration Building, #122 Zhenhua RD., Futian, Shenzhen, China



.050" × .050" CF Card Header

Type I, Surface Mount



- Single row solder tails — 0.635 mm spacing
- Board component clearance — 1.64 mm standoff
- Ejector option — easy removal of CF Card from right angle header
- Meets CFA standards — known reliability
- Retainer Clip option — stability for mobile or high vibration applications

Date Modified: August 2, 2001

TS-0662-17
Sheet 1 of 4

14

Physical

Insulation

Material: Liquid Crystal Polyester (LCP)
Flammability: UL 94V-0
Color: Beige

Contact

Material: Copper Alloy

Plating

Underplate: 100 μ " [2.54 μ m] Nickel — QQ-N-290, Class 2
Wiping Area: Gold Flash over 80/20 Palladium Nickel
Solder Tails: 50 μ " [1.27 μ m] 85/15 Tin Lead — MIL-P-81728

Electrical

Current Rating: .5 A

Insulation Resistance: $>1 \times 10^9 \Omega$ at 500 Vdc
 $>1 \times 10^8 \Omega$ at 500 Vdc after Environmental Conditioning

Withstanding Voltage: 500 Vrms at Sea Level

Environmental

Temperature Rating: -55°C to $+85^\circ\text{C}$

Process Rating: Maximum 235°C , with 90 seconds over 215°C

UL File No.: E68080

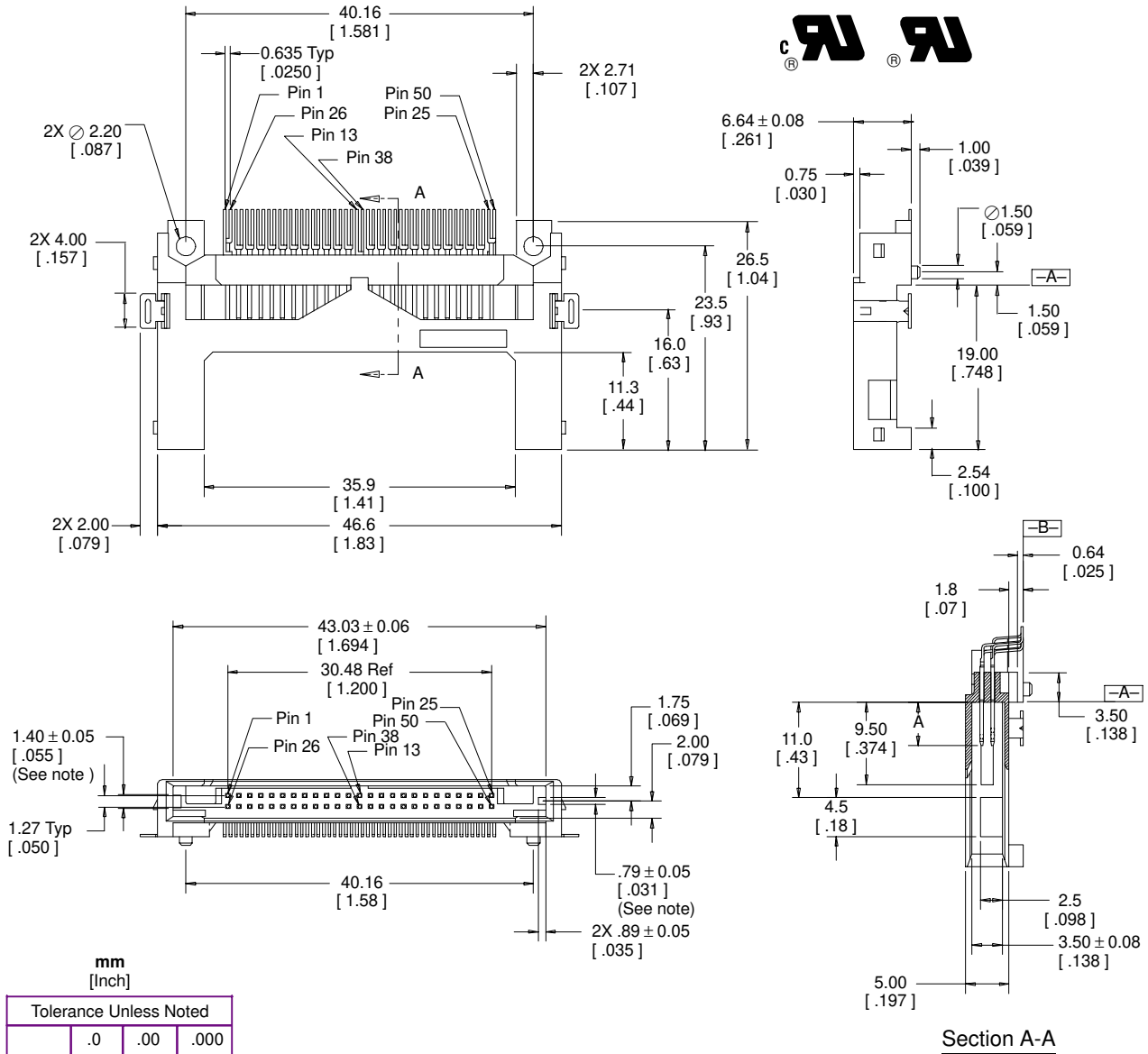
3M Interconnect Solutions Division

6801 River Place Blvd.
Austin, TX 78726-9000

For technical, sales or ordering information call
800-225-5373

.050" × .050" CF Card Header Type I, Surface Mount

Pin Type	Interface Dim A	Pin No.
detect	3.50 [.138]	25, 26
general	4.25 [.167]	all other pins
power	5.00 [.197]	1, 13, 38 & 50



Note: Normal (Option "7") style shown. For Inverse style rotate polarization keys and pin call outs 180°.

Ordering Information

N7E50-X516XX-20

Options: CF Card Polarization
7 = Normal
A = Inverse

Plating
VU = Au Flash over 25μ" [0.64μm] PdNi

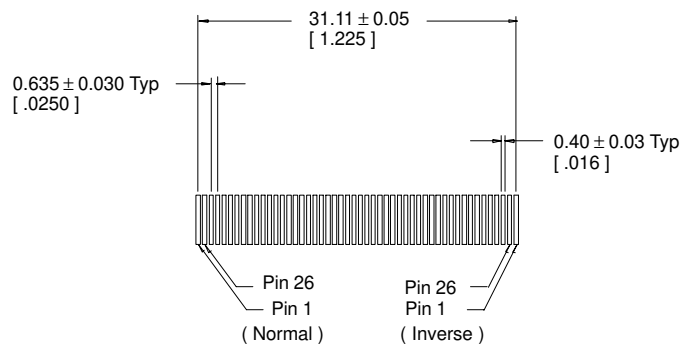
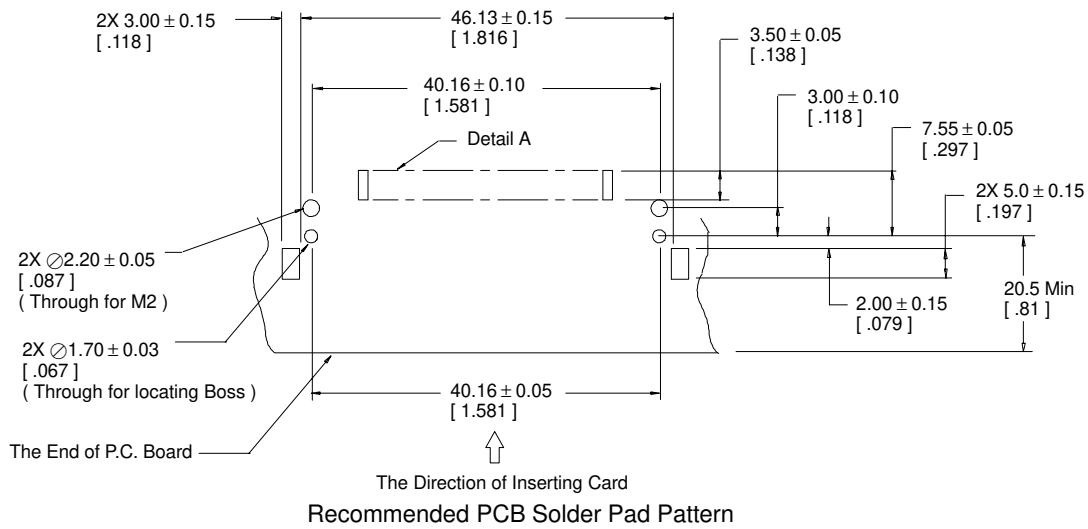
TS-0662-17
Sheet 2 of 4

3M Interconnect Solutions Division

6801 River Place Blvd.
Austin, TX 78726-9000

For technical, sales or ordering information call
800-225-5373

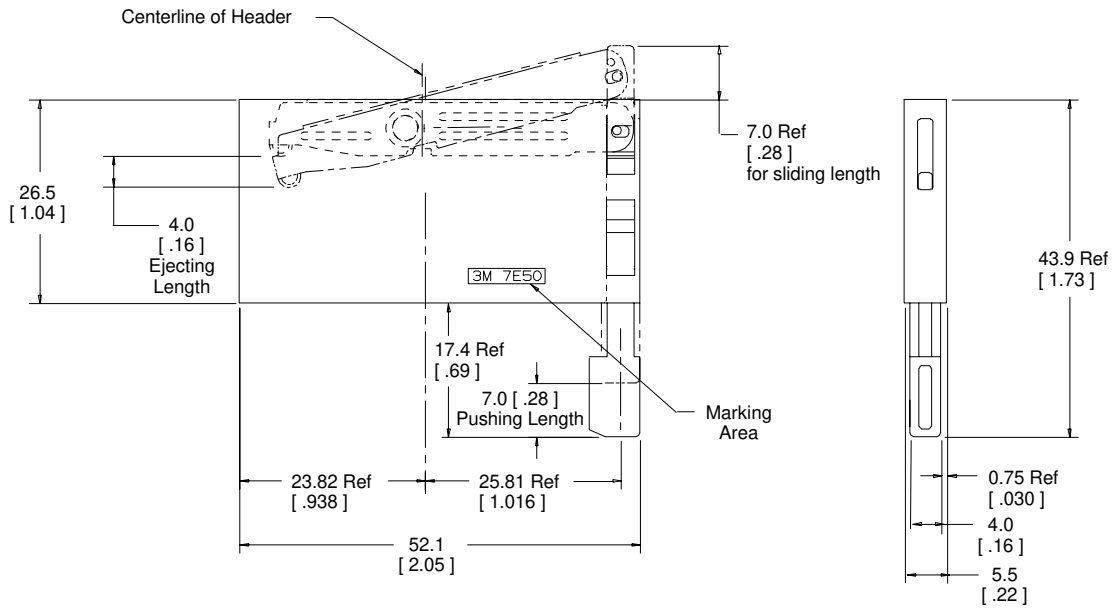
.050" × .050" CF Card Header Type I, Surface Mount



.050" × .050" CF Card Header Type I, Surface Mount

Right Button Ejector 3M Part **D7E50-7316-03**

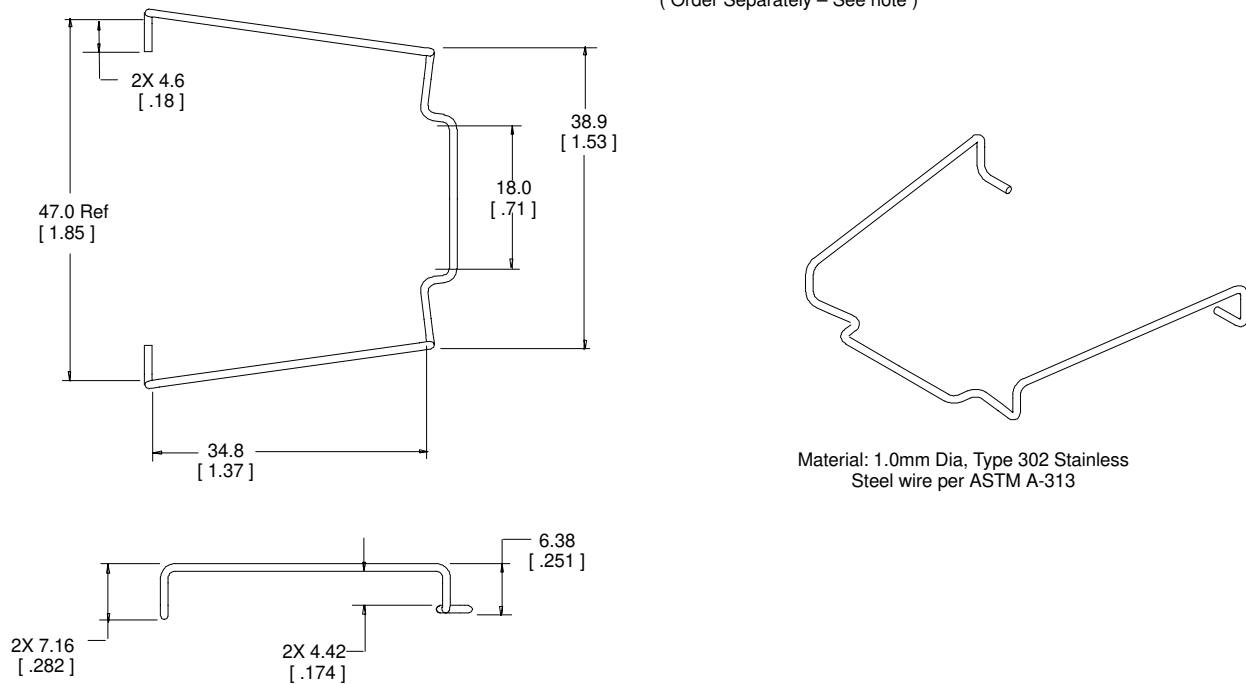
(Order Separately – See note)



Material
Holder: Glass Filled LCP
Button: PBT
Plate: Stainless Steel

CF Card Retainer Clip 3M Part **3505-34**

(Order Separately – See note)



Material: 1.0mm Dia, Type 302 Stainless
Steel wire per ASTM A-313

Note: Use of either an ejector or a retainer clip excludes the use of the other.

TS-0662-17
Sheet 4 of 4

3M Interconnect Solutions Division

6801 River Place Blvd.
Austin, TX 78726-9000

For technical, sales or ordering information call
800-225-5373