



Chipsmall Limited consists of a professional team with an average of over 10 year of expertise in the distribution of electronic components. Based in Hongkong, we have already established firm and mutual-benefit business relationships with customers from,Europe,America and south Asia,supplying obsolete and hard-to-find components to meet their specific needs.

With the principle of "Quality Parts,Customers Priority,Honest Operation,and Considerate Service",our business mainly focus on the distribution of electronic components. Line cards we deal with include Microchip,ALPS,ROHM,Xilinx,Pulse,ON,Everlight and Freescale. Main products comprise IC,Modules,Potentiometer,IC Socket,Relay,Connector.Our parts cover such applications as commercial,industrial, and automotives areas.

We are looking forward to setting up business relationship with you and hope to provide you with the best service and solution. Let us make a better world for our industry!



Contact us

Tel: +86-755-8981 8866 Fax: +86-755-8427 6832

Email & Skype: info@chipsmall.com Web: www.chipsmall.com

Address: A1208, Overseas Decoration Building, #122 Zhenhua RD., Futian, Shenzhen, China



Detects Changes in Machine Vibration

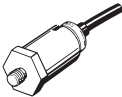
- ON/OFF output can be set and checked quickly and easily from the vibration level meter.
- Vibration waveforms can be checked using the AC monitor output.
- The IP67 rating enables use in harsh environments.
- Selectable acceleration and speed available. (Linear Output Models)
- Five operating modes ensure highly accurate error detection. (Manual Setting Models)



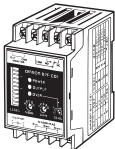
 Refer to *Safety Precautions* on page 5.

Ordering Information

Sensors

Appearance	Type	Cable length	Model
	Manual setting	5 m	D7F-S01-05
		10 m	D7F-S01-10
	Linear output	5 m	D7F-S03-05

Controllers

Appearance	Type	Model
	Manual setting	D7F-C01
	Linear output	D7F-C03


Ratings and Specifications

Sensors

Item	Type	Manual Setting Models	Linear Output Model
		D7F-S01-05/D7F-S01-10	D7F-S03-05
Sensitivity *		5.1 mV/(m/s ²) (typical)	5.1 mV/(m/s ²) ±20% (at 100 Hz)
Detection frequency		20 Hz to 2 kHz (±3 dB)	10 Hz to 2 kHz (±3 dB)
Resonance frequency		Approx. 5 kHz	(Approx. 20 kHz)
Max. acceleration		784 m/s ²	98 m/s ²
Vibration resistance (destruction)		10 Hz to 2 kHz, 2-mm single amplitude or 392 m/s ²	10 to 150 Hz, 0.35-mm single amplitude or 50 m/s ²
Shock resistance (destruction)		294 m/s ² 3 times each in X, Y, and Z directions	150 m/s ²
Connectable vibration sensor Controller		D7F-C01	D7F-C03
Degree of protection		IP67 (IEC 60529)	
Insulation resistance		20 MΩ min. at 100 VDC between the case and all terminals	100 MΩ min. at 100 VDC between the case and all terminals
Dielectric strength		1,000 VAC between the case and all terminals at 50/60 Hz for 1 min	
Ambient operating temperature range		-25 to 70°C (with no icing or condensation)	
Ambient operating humidity range		25% to 95% (with no icing or condensation)	
Storage temperature		-40 to 80°C (with no icing or condensation)	
Weight		Approx. 40 g (excluding the cable)	

*Sensor characteristic

Controllers

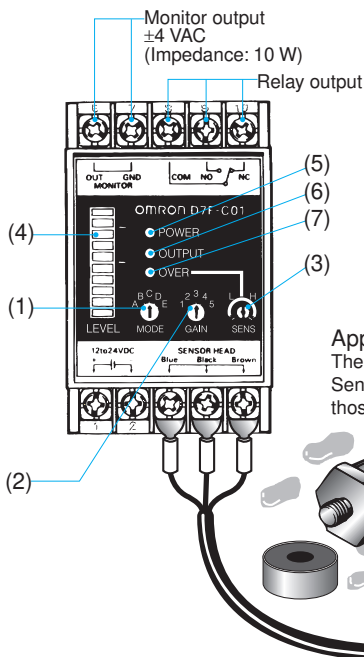
Item	Type	Manual Setting Model	Linear Output Model	
		D7F-C01	D7F-C03	
Power supply voltage range	12 to 24 VDC \pm 10% (10.8 to 26.4 VDC)			
Current consumption	200 mA max.		100 mA max.	
Ambient operating temperature range	-20 to 60°C (with no icing or condensation)		-10 to 55°C (with no icing or condensation)	
Ambient operating humidity range	25% to 95% (with no icing or condensation)		25% to 85% (with no icing or condensation)	
Storage temperature	-35 to 70°C (with no icing or condensation)		-25 to 65°C (with no icing or condensation)	
Vibration resistance (destruction)	10 to 150 Hz, 0.75-mm single amplitude, maximum acceleration of 98 m/s ²		10 to 150 Hz, 0.35-mm single amplitude or 50 m/s ²	
Shock resistance (destruction)	294 m/s ²		150 m/s ²	
Connectable Vibration Sensor	D7F-S01-□□		D7F-S03-05	
Output	Relay output	SPDT (30 VDC, 3 A or 250 VAC, 3 A resistive load) ON delay: 0.1 s min. in Continuous Vibration Detection Mode 5 ms in Intermittent Vibration Detection Mode OFF delay: 1s	Analog DC	Output range 4 to 20 mA
			Transistor	Allowable load resistance 300 Ω max.
				Output configuration NPN open collector
				Residual voltage 1.5 V max.
AC monitor	\pm 4 VAC (output impedance: 10 k Ω) The output voltages for each range are shown below. *1 \times 1 range, 5.1 mV (m/s ²) (typical) *2 \times 3 ranges, 15.3 mV (m/s ²) (typical) \times 10 ranges, 51 mV (m/s ²) (typical) \times 30 ranges, 153 mV (m/s ²) (typical) \times 100 ranges, 510 mV (m/s ²) (typical)	AC monitor *1 *2	Leakage current 0.1 mA max.	
			Max. load voltage 26.4 VDC	
			Max. sink current 100 mA max.	
			Min. output time 50 ms min.	
			ACC (reference values) \times 1 range, 5.1 mV/(m/s ²) (typical) \times 5 ranges, 25.5 mV/(m/s ²) (typical) \times 10 ranges, 51 mV/(m/s ²) (typical)	
			VEL (reference values) \times 1 range, 25.4 mV/(mm/s) (typical) \times 5 ranges, 127 mV/(mm/s) (typical) \times 10 ranges, 254 mV/(mm/s) (typical)	
			Impedance 10 k Ω	
Vibration level indicator	10-level meter			
Additional functions	Relay output for a sensor cable disconnection and a flashing level meter		ALM indication for sensor cable disconnections	
Weight	Approx. 120 g			
*1. The AC monitor output is used to check simple waveforms. Do not use it for precision measurements or waveform analysis. The following diagram shows the monitor output voltage.				
				
*2. These values correspond to an acceleration of 1 m/s ² .				
			ACC (acceleration)	VEL (velocity)
Range (rms)	\times 1	0 to 98 m/s ²	0 to 20 mm/s	
	\times 5	0 to 19.6 m/s ²	0 to 4 mm/s	
	\times 10	0 to 9.8 m/s ²	0 to 2 mm/s	
Frequency range	20 to 2,000 Hz		10 to 1,000 Hz	
Linearity	\pm 5% FS (at 100 Hz)*3			
Gain error	\pm 5% FS (at 100 Hz)*3			
Zero point offset	4 \pm 0.2 mA (at 20°C)*3			

*3. Controller characteristic

Nomenclature

Manual Setting Model

D7F-C01 Vibration Sensor Controller
Vibration Sensor Controllers process signals from Vibration Sensors, detect errors, and produce an external output.



Applicable in Wet Environments
The IP67 (dust-proof and immersion-proof) rating for Vibration Sensors enables application in harsh environments, including those exposed to water.

Operations

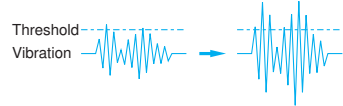
(1) MODE Selector

Selects the waveform processing mode.

MODE	Waveform	Application example
A	20 Hz to 20 kHz	General purpose, monitoring, etc.
B	20 Hz to 200 Hz	Imbalance, deviation, etc.
C	200 Hz to 2 kHz	High-speed rotating object error, etc.
D	2 kHz to 20 kHz	Bearing damage, etc.
E	Intermittent vibration detection	Contact, shock, etc.

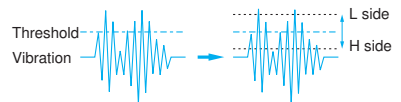
(2) GAIN Selector (1 to 100 x)

The GAIN Selector is used to change the signal strength.
Example: Increasing signal strength



(3) Sensitivity Adjuster

The sensitivity adjuster is used to change the threshold setting.



Indicators

(4) LEVEL METER (10 levels)

The Level Meter indicator clearly shows the vibration level.

(5) POWER

The POWER indicator is lit when the power is ON.

(6) OUTPUT

The OUTPUT indicator is lit when the output relay is operating.

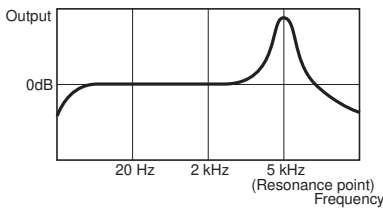
(7) OVER

The OVER indicator is lit when vibration is detected.

- D7F-S01-□□ Vibration Sensor

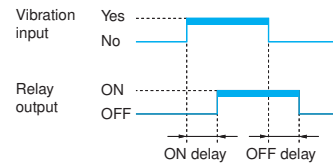
Vibration Sensors use piezoelectric ceramic devices to convert vibration to electric signals.

Sensor Frequency Characteristics



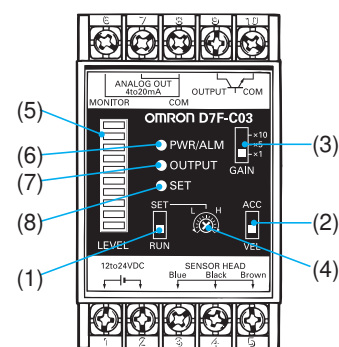
Terminology

The following diagram shows ON and OFF delay times.



Linear Output Model

D7F-C03



Operations

(1) RUN/SET Selector

The RUN/SET Selector sets the Level Meter indication to RUN or SET.

(2) ACC/VEL Selector

The ACC/VEL Selector sets the operating mode to acceleration or velocity.

(3) GAIN Selector

The GAIN Selector changes the signal strength.

(4) Threshold Adjuster

The Threshold Adjuster sets the threshold value.

Indicators

(5) Level (10 levels)

RUN: Indicates vibration magnitude.
SET: Indicates threshold settings.

Level Meter levels	Vibration level and threshold settings
10	95% or higher FS
9	85% to 95% FS
8	75% to 85% FS
7	65% to 75% FS
6	55% to 65% FS
5	45% to 55% FS
4	35% to 45% FS
3	25% to 35% FS
2	15% to 25% FS
1	5% to 15% FS

Note: Use the Level Meter indicator strictly as a guideline.

(6) PWR/ALM Indicator

Power ON: Green light
Sensor error: Red light

(7) OUTPUT Indicator

The output transformer operates and the OUTPUT indicator lights at vibration levels exceeding the threshold setting. The output and indications are the same whether RUN or SET is selected.

(8) SET Indicator

The SET Indicator is lit when SET is selected from the RUN/SET selector.

Safety Precautions

Precautions for Safe Use

Do not perform wiring work or touch any terminals with power supplied. Doing so may result in electric shock.

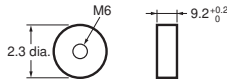
Precautions for Correct Use

Do not use this product in atmospheres or environments that exceed product ratings.

Sensor Installation

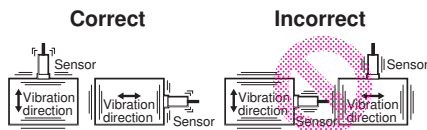
- Wipe the mounting surface to remove all dirt and use a No. 17 wrench to secure the D7F in place.
Optimum tightening torque: 4.4 to 5.4 N·m
Mounting hole dimensions: M6 holes, Depth: 7 mm min.
- The D7F may not operate correctly if it is not secured with the proper torque or the mounting surface is not cleaned properly prior to installation.
- The quick-mounting magnet is provided to help locate the proper detection position. Make sure the D7F is secured with screws for long-term applications.
- The quick-mounting magnet will not hold the D7F if the magnet is installed vertically or backwards.

Quick-mounting Magnet Dimensions



Sensor Mounting Direction

Mount the D7F as indicated by the circle in the diagram below.



Handling the Sensor

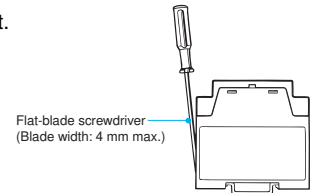
- The Sensor Cable can be cut to any length, but it cannot be extended.
- Do not disassemble the D7F. Otherwise, it may not operate properly.
- Make sure all wiring is correct and be careful not to short wires while wiring.
- Do not install the D7F in locations subject to oil. Otherwise, the rubber seal will deteriorate, allowing liquids such as oil or water to enter the D7F, which may cause it to fail.
- The D7F should be connected only to a specified Controller, such as the D7F-C01 or D7F-C03.

Handling the Controller

- The Controller should be connected only to a specified Sensor, such as the D7F-S01-□□ or D7F-S03-□□.
- Do not attempt to disassemble the Controller. Otherwise, it may not operate properly.
- Do not install the Controller in a dusty location or one subject to water or oil.
- Do not mount the Controller directly to any source of vibration.

Removing the D7F from a DIN Track

Remove the D7F from a DIN Track as shown in the diagram on the right.



When Using the Product in an Environment in Which Noise Is Present

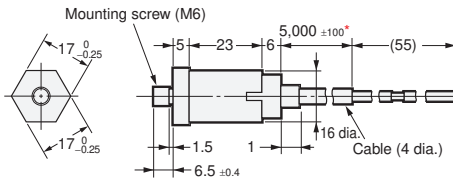
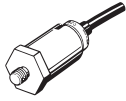
Use the Electromagnetic Shielding Sleeve DS-10 made by Sumitomo 3M.

Using any other shielded wire may cause the D7F-C01 to vibrate.

Dimensions

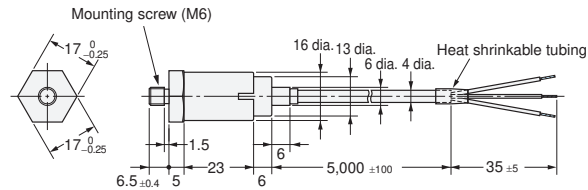
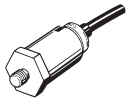
Sensors

D7F-S01-05
D7F-S01-10



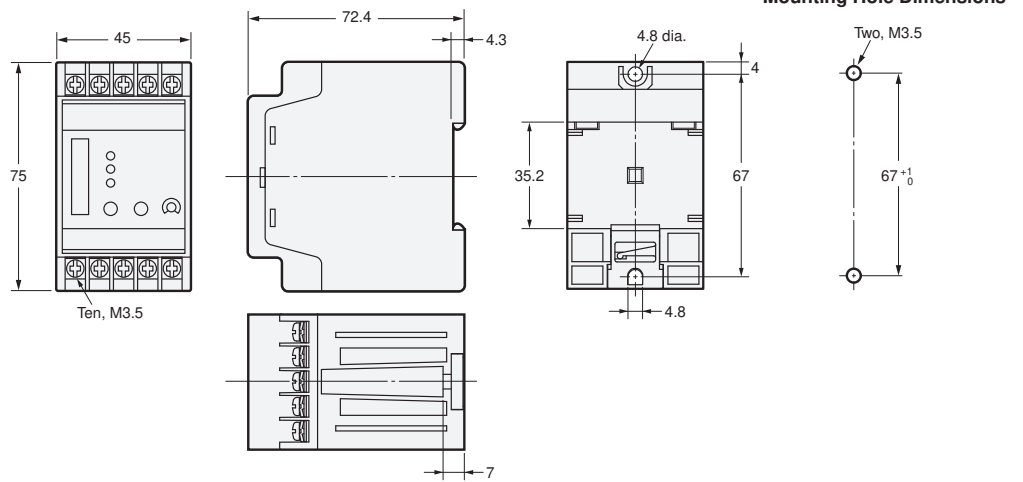
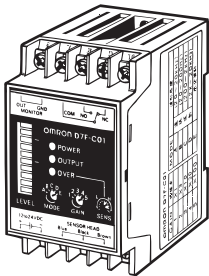
*10,000 ± 100 for a cable 10 m long.

D7F-S03-05

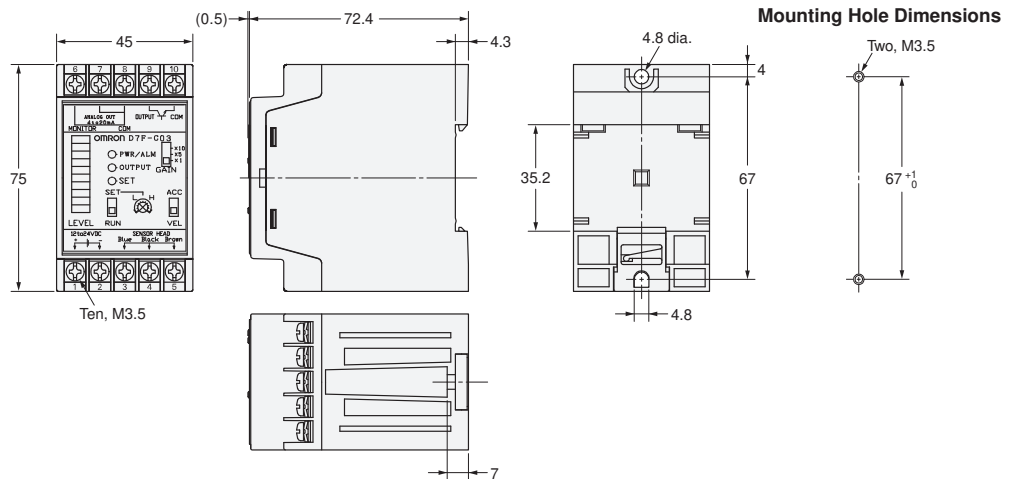
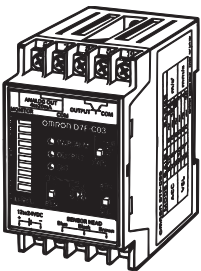


Controllers

D7F-C01



D7F-C03



Terms and Conditions Agreement

Read and understand this catalog.

Please read and understand this catalog before purchasing the products. Please consult your OMRON representative if you have any questions or comments.

Warranties.

(a) Exclusive Warranty. Omron's exclusive warranty is that the Products will be free from defects in materials and workmanship for a period of twelve months from the date of sale by Omron (or such other period expressed in writing by Omron). Omron disclaims all other warranties, express or implied.

(b) Limitations. OMRON MAKES NO WARRANTY OR REPRESENTATION, EXPRESS OR IMPLIED, ABOUT NON-INFRINGEMENT, MERCHANTABILITY OR FITNESS FOR A PARTICULAR PURPOSE OF THE PRODUCTS. BUYER ACKNOWLEDGES THAT IT ALONE HAS DETERMINED THAT THE PRODUCTS WILL SUITABLY MEET THE REQUIREMENTS OF THEIR INTENDED USE.

Omron further disclaims all warranties and responsibility of any type for claims or expenses based on infringement by the Products or otherwise of any intellectual property right. (c) Buyer Remedy. Omron's sole obligation hereunder shall be, at Omron's election, to (i) replace (in the form originally shipped with Buyer responsible for labor charges for removal or replacement thereof) the non-complying Product, (ii) repair the non-complying Product, or (iii) repay or credit Buyer an amount equal to the purchase price of the non-complying Product; provided that in no event shall Omron be responsible for warranty, repair, indemnity or any other claims or expenses regarding the Products unless Omron's analysis confirms that the Products were properly handled, stored, installed and maintained and not subject to contamination, abuse, misuse or inappropriate modification. Return of any Products by Buyer must be approved in writing by Omron before shipment. Omron Companies shall not be liable for the suitability or unsuitability or the results from the use of Products in combination with any electrical or electronic components, circuits, system assemblies or any other materials or substances or environments. Any advice, recommendations or information given orally or in writing, are not to be construed as an amendment or addition to the above warranty.

See <http://www.omron.com/global/> or contact your Omron representative for published information.

Limitation on Liability; Etc.

OMRON COMPANIES SHALL NOT BE LIABLE FOR SPECIAL, INDIRECT, INCIDENTAL, OR CONSEQUENTIAL DAMAGES, LOSS OF PROFITS OR PRODUCTION OR COMMERCIAL LOSS IN ANY WAY CONNECTED WITH THE PRODUCTS, WHETHER SUCH CLAIM IS BASED IN CONTRACT, WARRANTY, NEGLIGENCE OR STRICT LIABILITY.

Further, in no event shall liability of Omron Companies exceed the individual price of the Product on which liability is asserted.

Suitability of Use.

Omron Companies shall not be responsible for conformity with any standards, codes or regulations which apply to the combination of the Product in the Buyer's application or use of the Product. At Buyer's request, Omron will provide applicable third party certification documents identifying ratings and limitations of use which apply to the Product. This information by itself is not sufficient for a complete determination of the suitability of the Product in combination with the end product, machine, system, or other application or use. Buyer shall be solely responsible for determining appropriateness of the particular Product with respect to Buyer's application, product or system. Buyer shall take application responsibility in all cases.

NEVER USE THE PRODUCT FOR AN APPLICATION INVOLVING SERIOUS RISK TO LIFE OR PROPERTY OR IN LARGE QUANTITIES WITHOUT ENSURING THAT THE SYSTEM AS A WHOLE HAS BEEN DESIGNED TO ADDRESS THE RISKS, AND THAT THE OMRON PRODUCT(S) IS PROPERLY RATED AND INSTALLED FOR THE INTENDED USE WITHIN THE OVERALL EQUIPMENT OR SYSTEM.

Programmable Products.

Omron Companies shall not be responsible for the user's programming of a programmable Product, or any consequence thereof.

Performance Data.

Data presented in Omron Company websites, catalogs and other materials is provided as a guide for the user in determining suitability and does not constitute a warranty. It may represent the result of Omron's test conditions, and the user must correlate it to actual application requirements. Actual performance is subject to the Omron's Warranty and Limitations of Liability.

Change in Specifications.

Product specifications and accessories may be changed at any time based on improvements and other reasons. It is our practice to change part numbers when published ratings or features are changed, or when significant construction changes are made. However, some specifications of the Product may be changed without any notice. When in doubt, special part numbers may be assigned to fix or establish key specifications for your application. Please consult with your Omron's representative at any time to confirm actual specifications of purchased Product.

Errors and Omissions.

Information presented by Omron Companies has been checked and is believed to be accurate; however, no responsibility is assumed for clerical, typographical or proofreading errors or omissions.