



Chipsmall Limited consists of a professional team with an average of over 10 year of expertise in the distribution of electronic components. Based in Hongkong, we have already established firm and mutual-benefit business relationships with customers from,Europe,America and south Asia,supplying obsolete and hard-to-find components to meet their specific needs.

With the principle of “Quality Parts,Customers Priority,Honest Operation,and Considerate Service”,our business mainly focus on the distribution of electronic components. Line cards we deal with include Microchip,ALPS,ROHM,Xilinx,Pulse,ON,Everlight and Freescale. Main products comprise IC,Modules,Potentiometer,IC Socket,Relay,Connector.Our parts cover such applications as commercial,industrial, and automotives areas.

We are looking forward to setting up business relationship with you and hope to provide you with the best service and solution. Let us make a better world for our industry!



## Contact us

Tel: +86-755-8981 8866 Fax: +86-755-8427 6832

Email & Skype: info@chipsmall.com Web: www.chipsmall.com

Address: A1208, Overseas Decoration Building, #122 Zhenhua RD., Futian, Shenzhen, China



THE DRAWING FOR  
YOUR REFERENCE

SPECIFICATIONS  
OF  
VIBRATION DETECTION SWITCH

MODEL NAME : D7H-B 2

OUTLINE DRAWING NO. 3 3 5 2 5 3 6 - 7

WRITTEN: Y. Kamihashi Aug. 24. 2001

CHECKED: \_\_\_\_\_

APPROVED: H. Arai Aug. 24. 2001

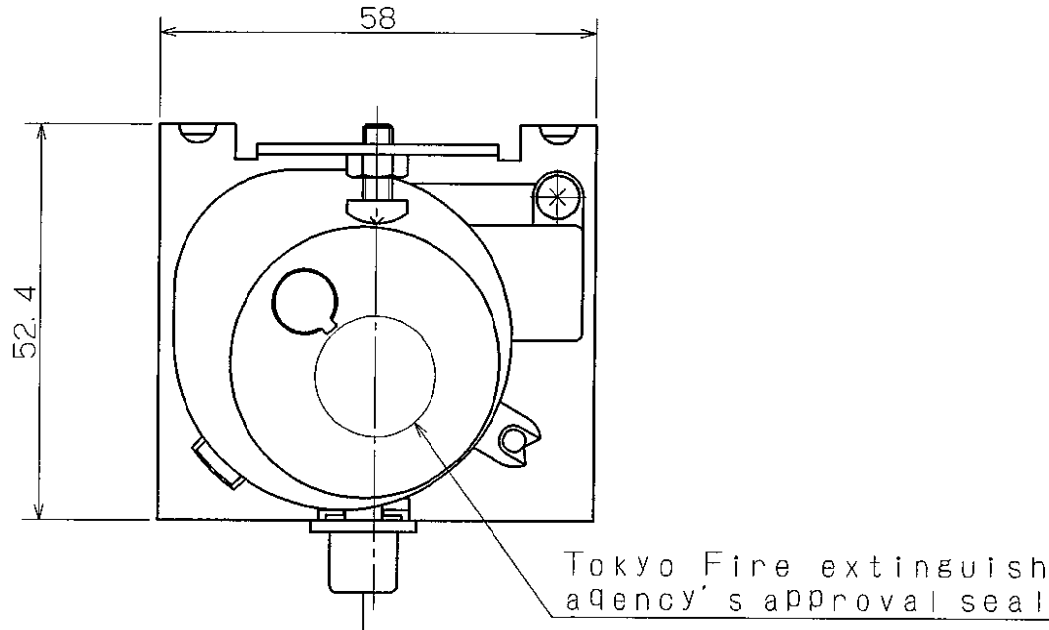
OMRON CORPORATION

- THE DRAWING FOR  
YOUR REFERENCE**
1. Tokyo Fire Extinguish Agency's approval number      96L-1774
  2. Outline dimension      Outline drawings No.3352536-7
  3. Operating method      Steal ball
  4. Acceleration      100 to 170 gal (Frequency 0.3, 0.5, 0.7sec.)
  5. Electrical rating      0.1A 125VAC(  $\cos \phi = 1.0$  )  
0.1A 30VDC
  6. Dielectric strength      1,500VAC , 50/60Hz, 1 minute between live metal parts and  
non-live metal parts.
  7. Insulation resistance      50M $\Omega$  min. between live metal parts and non-live metal  
parts (500VDC megger)
  8. Vibration resistance      Double amplitude 1.5mm , Frequency 10 to 55 Hz, X,Y,Z  
each direction 2 hours, Total 6 hours, with steal ball being  
locked
  9. Shock resistance      294 m/s<sup>2</sup> ( 30G )
  10. Moisture resistance      92.5 $\pm$ 2.5%RH,40 $^{\circ}$ C after 48 hours testing, leaving the  
samples for 30 minutes with normal temperature and  
moisture, then the insulation resistance shall be over 5M $\Omega$ .
  11. Operating temperature      -10 to 70  $^{\circ}$ C
  12. Operating humidity      45 to 85 % RH
  13. Warranty period and coverage
    - (1) Warranty period      One year from the date of delivery
    - (2) Warranty coverage      If this product is determined to be defective without  
customer's any misuse during the warranty period, we  
will replace or repair a defective product or parts. However  
warranty is done with delivery unit and does not include  
replacing fee such as labor cost, damage compensation.
  14. Specification validity
 

this specification is invalid unless we receive your approval or order placement  
within one year since submission of this specification.

If there is no claim from both sides after your approval or order placement, validity of  
specification will be renewed every one year.

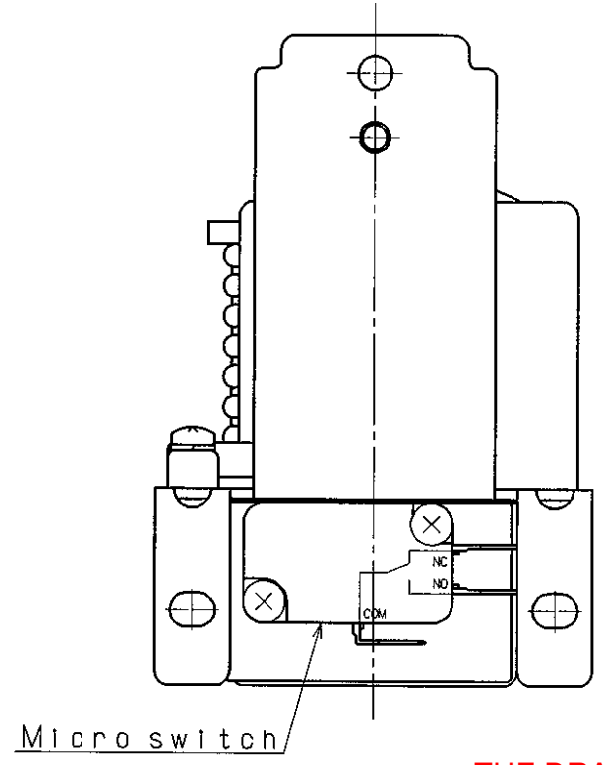
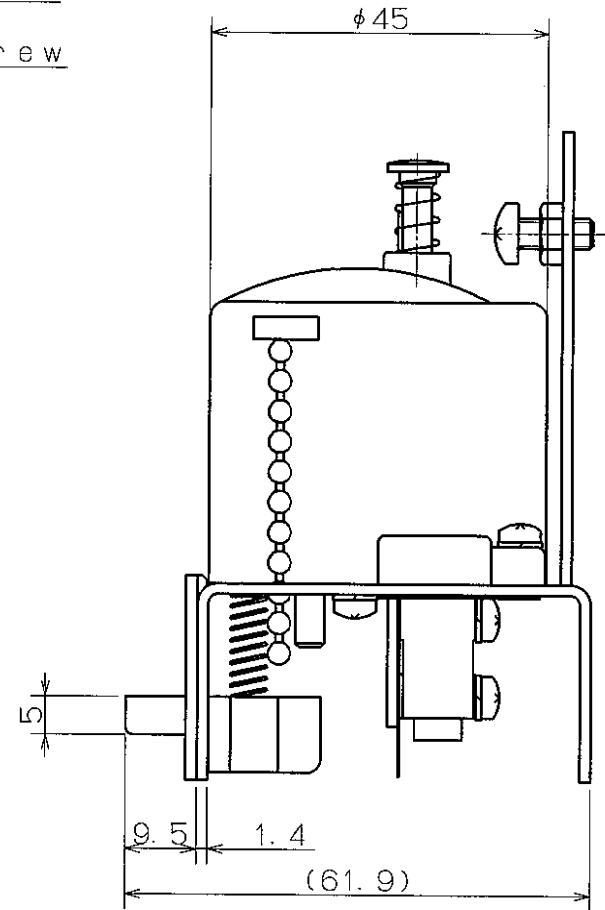
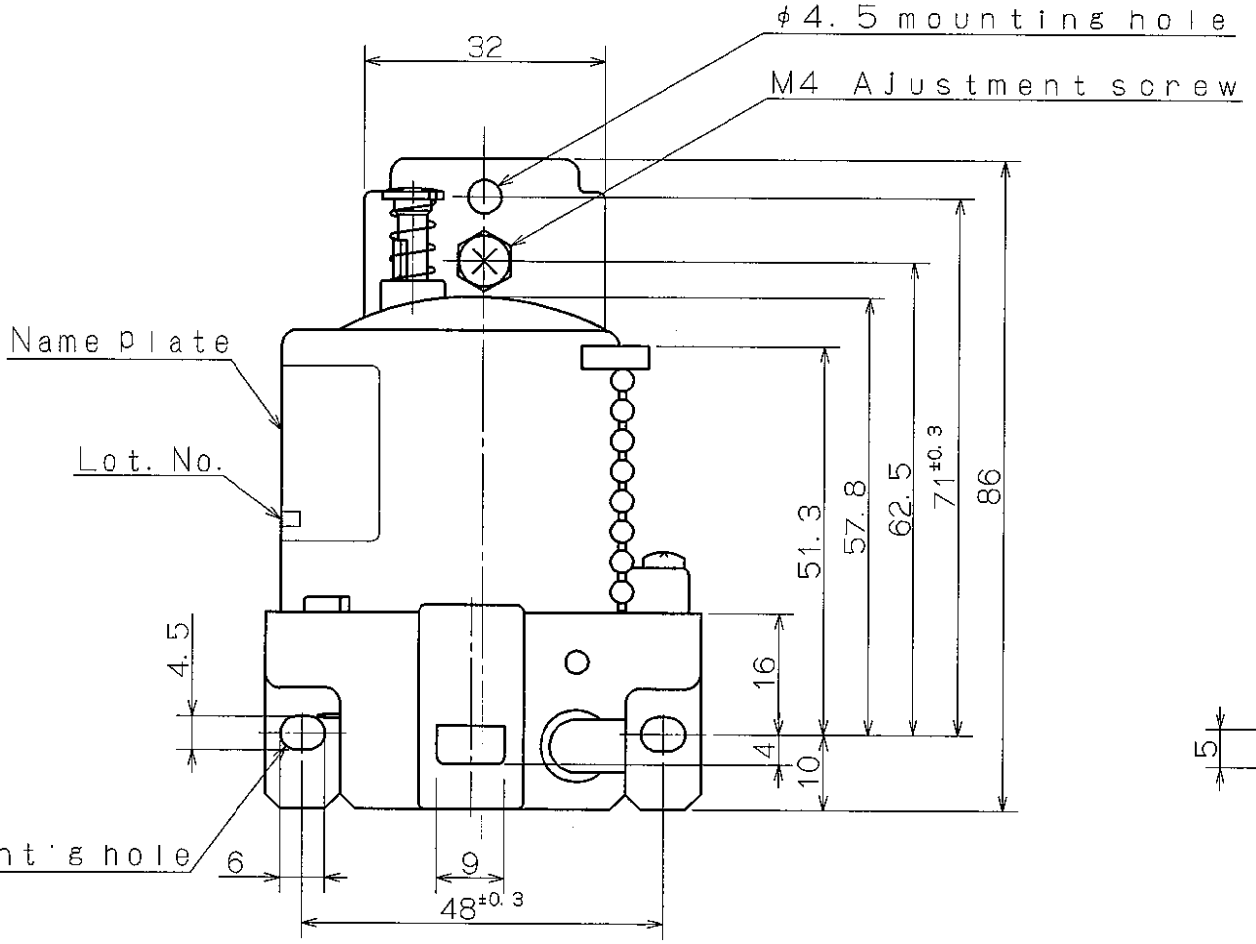
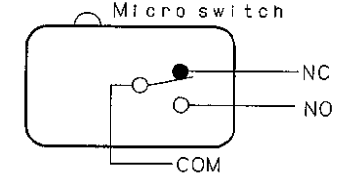
A  
B  
C  
D  
E  
F



NOTE 1. Operating characteristics

|                  |                      |
|------------------|----------------------|
| Operating method | Steel ball           |
| Acceleration     | 100~170gal           |
| Frequency        | 0.3~0.7sec           |
| Rating           | 0.1A.30VDC<br>COSφ=1 |

- Unspecified tolerance on the drawing is ±0.8mm
- Do not apply external force at 19.6N or over to lateral direction of the terminal and at 78.4N or over to tensile direction of it.
- After soldering wires to the terminals, do not hung the product with the wires.
- Terminal configuration



THE DRAWING FOR YOUR REFERENCE

|     |      |     |          |         |                                   |   |         |                                      |   |
|-----|------|-----|----------|---------|-----------------------------------|---|---------|--------------------------------------|---|
|     |      |     |          |         | MATERIAL                          |   |         | SCALE<br>1:1                         | THE MODEL D7H-B2<br>VIBRATION DETECTION SWITCH<br>OUTLINE DRAWING |
|     |      |     |          |         | FINISH                            |   |         |                                      |   |
|     |      |     |          |         | TOLERANCES<br>UNLESS<br>SPECIFIED | DESIGNED<br>Y. Kamihashi<br>Aug. 24, 2001 | CHECKED | APPROVED<br>H. Arai<br>Aug. 24, 2001 | 3RD<br>ANGLE  |
| SYM | DATE | E/C | CONTENTS | E/C NO. | SIGN                              |   |         |                                      | SHEET   |
|     |      |     |          |         |                                   |   |         |                                      | DRWG<br>NO. 3352536-7 A   |
|     |      |     |          |         |                                   |   |         |                                      | DESIGNED FOR  |