



Chipsmall Limited consists of a professional team with an average of over 10 year of expertise in the distribution of electronic components. Based in Hongkong, we have already established firm and mutual-benefit business relationships with customers from,Europe,America and south Asia,supplying obsolete and hard-to-find components to meet their specific needs.

With the principle of “Quality Parts,Customers Priority,Honest Operation,and Considerate Service”,our business mainly focus on the distribution of electronic components. Line cards we deal with include Microchip,ALPS,ROHM,Xilinx,Pulse,ON,Everlight and Freescale. Main products comprise IC,Modules,Potentiometer,IC Socket,Relay,Connector.Our parts cover such applications as commercial,industrial, and automotives areas.

We are looking forward to setting up business relationship with you and hope to provide you with the best service and solution. Let us make a better world for our industry!



## Contact us

Tel: +86-755-8981 8866 Fax: +86-755-8427 6832

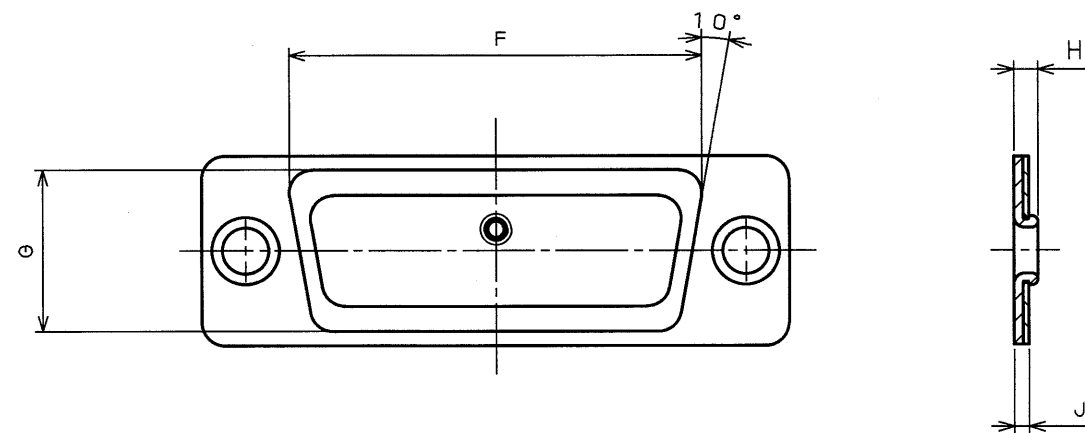
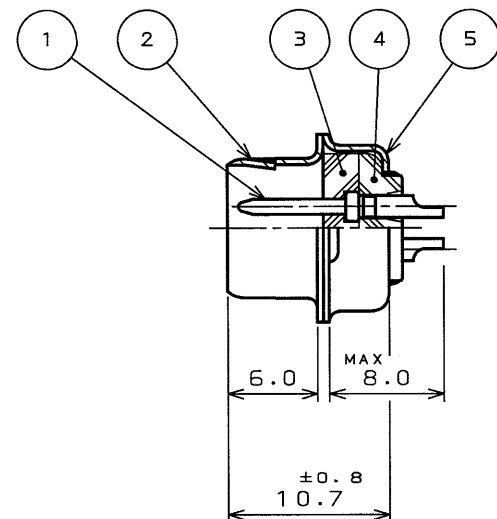
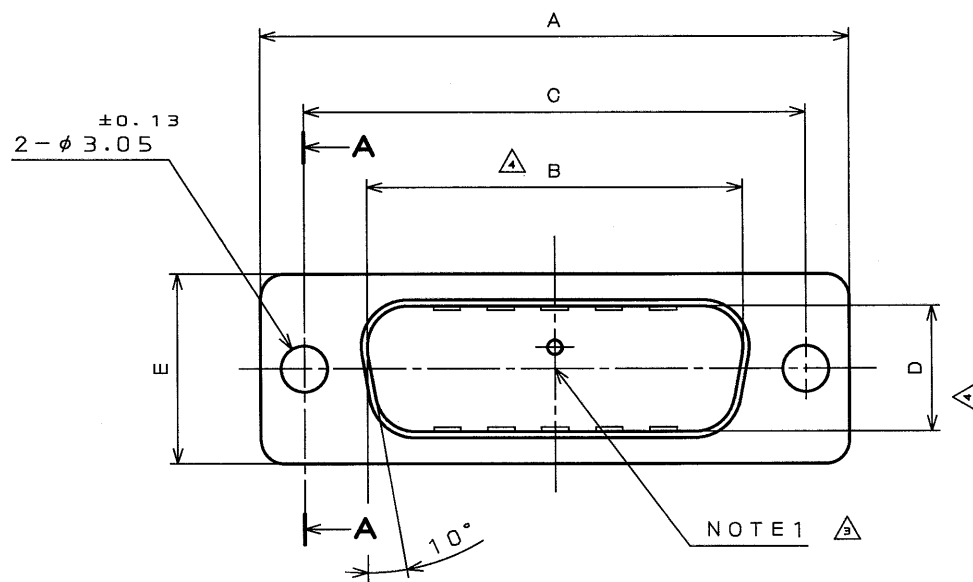
Email & Skype: info@chipsmall.com Web: www.chipsmall.com

Address: A1208, Overseas Decoration Building, #122 Zhenhua RD., Futian, Shenzhen, China



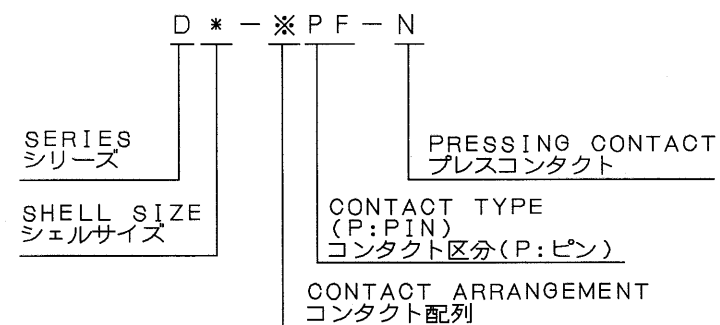
E608109S  
( 'ON 0NIMVHD ) 台景圖

版数 REV.	年月日 DATE	DCN NO.	変更内容 DESCRIPTION	製図 DR.	担当 CHK.	査閲 APPD.	承認 APPD.
3	10.Jul.1998	42477	REDRAWN		Y.NAKATOMI	Y.HAYASHI	H.SAITOU
4	27.Feb.2002	49595	CORRECT AN ERROR		Y.KUBOTA		<i>[Signature]</i>



SECT. A-A  
(SCALE 2:1)

DESIGNATION  
命名法



- NOTE1. COMPANY LOGO "JAE" AND ABBREVIATION OF PART NUMBER APPEAR IN THE AREA SHOWN.  
 2. APPLICABLE WIRE SIZE : AWG #20 MAX. (IN CASE OF STANDARD CONTACT)  
 3. FOR CONTACT ARRANGEMENT, SEE DWG. NO. SJ010210.  
 4. FOR PANEL CUT-OUT DIMENSION, SEE DWG. NO. SJ013596.

- 注1. 図示の位置に社名及び品名略称を表示する。  
 2. 本コネクタ用使用電線はAWG#20以下のこと。  
 3. インサート配列はSJ010210をを参照のこと。  
 4. パネル取付穴寸法はSJ013596を参照のこと。

TABLE 1

PART NUMBER	DIMENSION IN MILLIMETERS									No. OF CONTACT
	±0.5 A	±0.25 B	±0.13 C	±0.25 D	±0.5 E	F	G	H	J	
DE-9PF-N	30.8	16.90	24.99	8.34	12.6	19.3	10.7	1.2	0.8	9
DA-15PF-N	39.1	25.24	33.32	8.34	12.6	27.5	10.7	1.2	0.8	15
DB-25PF-N	53.0	39.01	47.04	8.40	12.6	41.3	10.7	1.5	1.0	25
DC-37PF-N	69.3	55.47	63.50	8.40	12.6	57.7	10.7	1.5	1.0	37
DD-50PF-N	66.9	52.86	61.11	11.16	15.4	55.3	13.9	1.5	1.0	50

符号 NO.	名称 DESCRIPTION	個数 QTY.	材料 MATERIAL	仕上 FINISH	備考 REMARKS
5	REAR SHELL	1	STEEL	NICKEL PLATING	
4	REAR INSULATOR	1	PBT	NONE	UL94V-0
3	FRONT INSULATOR	1	PBT	NONE	UL94V-0
2	FRONT SHELL	1	STEEL	NICKEL PLATING	
1	CONTACT	TABLE 1	COPPER ALLOY	GOLD OVER NICKEL PLATING	NOTE 3

仕様書 (SPECIFICATION) JACS-1045-5

第1版 (ORIGINAL DATE) 3.Mar.1983

製図 DR. 担当 CHK. S.TASHIRO 査閲 APPD. 承認 APPD. T.KANEDA

名称 (TITLE) D \* - ※ PF - N

重量 (WEIGHT)

図面番号 (DRAWING NO.) SJ018093

版数 (REV.) 4

DOF-0-212D(98.02)

CDS-3301  
SIZE A3