



Chipsmall Limited consists of a professional team with an average of over 10 year of expertise in the distribution of electronic components. Based in Hongkong, we have already established firm and mutual-benefit business relationships with customers from,Europe,America and south Asia,supplying obsolete and hard-to-find components to meet their specific needs.

With the principle of "Quality Parts,Customers Priority,Honest Operation,and Considerate Service",our business mainly focus on the distribution of electronic components. Line cards we deal with include Microchip,ALPS,ROHM,Xilinx,Pulse,ON,Everlight and Freescale. Main products comprise IC,Modules,Potentiometer,IC Socket,Relay,Connector.Our parts cover such applications as commercial,industrial, and automotives areas.

We are looking forward to setting up business relationship with you and hope to provide you with the best service and solution. Let us make a better world for our industry!



## Contact us

Tel: +86-755-8981 8866 Fax: +86-755-8427 6832

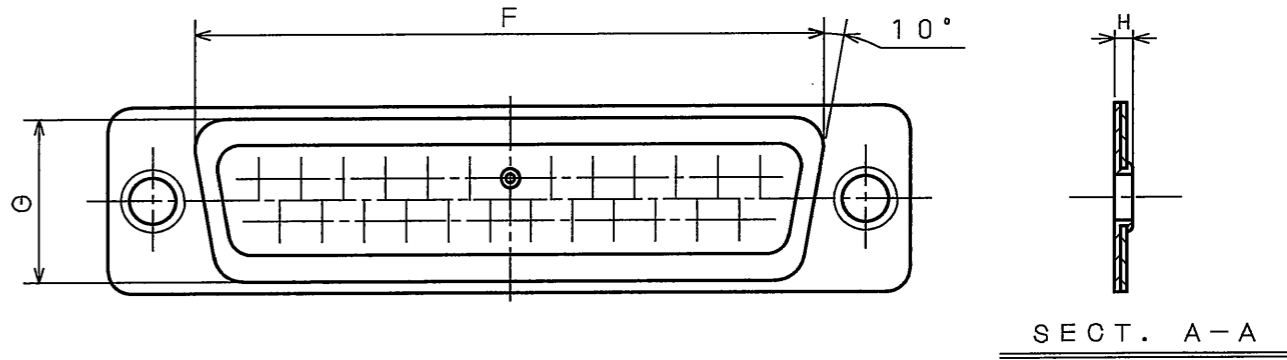
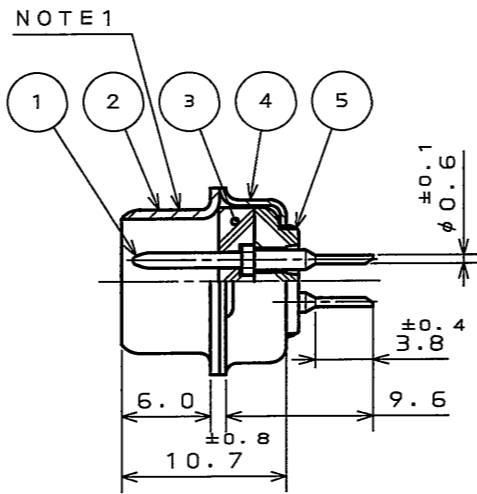
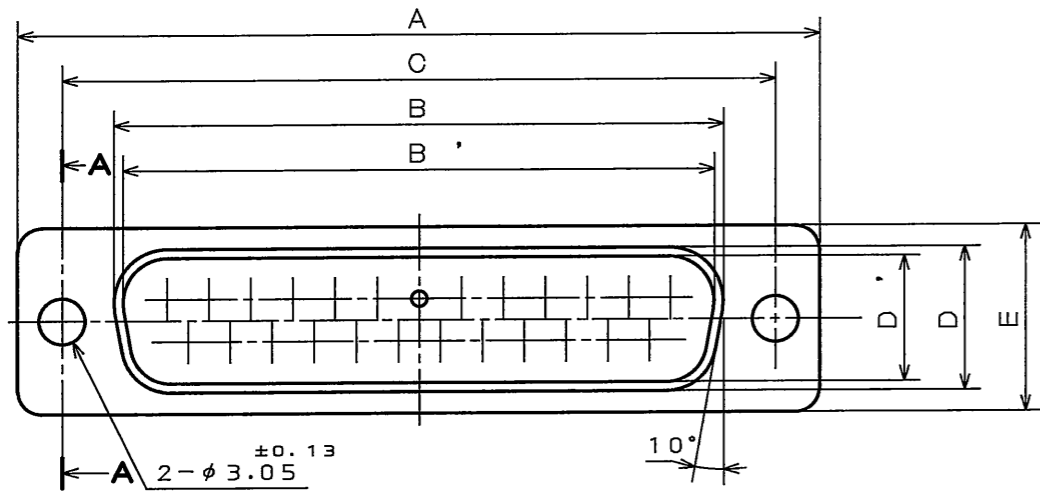
Email & Skype: info@chipsmall.com Web: www.chipsmall.com

Address: A1208, Overseas Decoration Building, #122 Zhenhua RD., Futian, Shenzhen, China

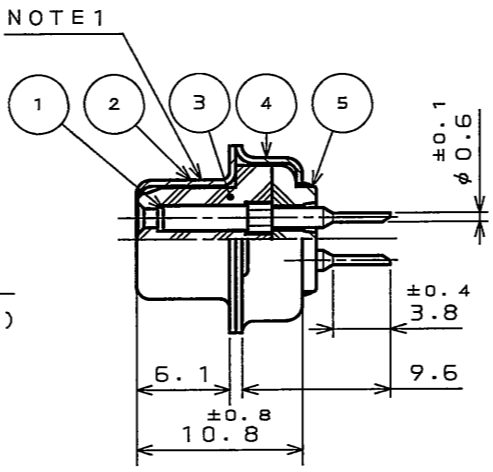


SE1701RS  
(DRAWING NO.) (台番号)

版数 REV.	年月日 DATE	DCN NO.	変更内容 DESCRIPTION	製図 DR.	担当 CHK.	査閲 APPD.	承認 APPD.
2	13.00t.2005	058374	REVISED NOTE1		Y.TAKA@I	A. Jago	J. Kubota



PIN INSERT VERSION  
ピンインサートの場合



SOCKET INSERT VERSION  
ソケットインサートの場合

- △ NOTE1. MARK THE COMPANY NAME, ABBREVIATED PART NUMBER AND LOT NUMBER AT THE LOCATION SHOWN IN THE DRAWING. PART NUMBER SHOW THE「D※-※※T-N-1」.
- FOR CONTACT ARRANGEMENT, SEE DWG. NO. SJ010210.
  - FOR APPLICABLE P. C. B. DIMENSION, SEE DWG. NO. SJ013596.
  - CONTACT AREA: GOLD (0.1μm MIN) OVER NICKEL PLATING  
TERMINAL AREA: TIN PLATING
- △ 注1. 図示の位置に社名、品名略称及びロット番号を表示する。但し、品名表示は「D※-※※T-N-1」とする。
- インサート配列はSJ010210を参照のこと。
  - 基板取付穴寸法はSJ013596を参照のこと。
  - コンタクトは嵌合部にはニッケル上金メッキ、スルーホール部にはニッケル上錫メッキが施されている。金メッキ厚は、0.1μm以上である。

DESIGNATION  
命名法

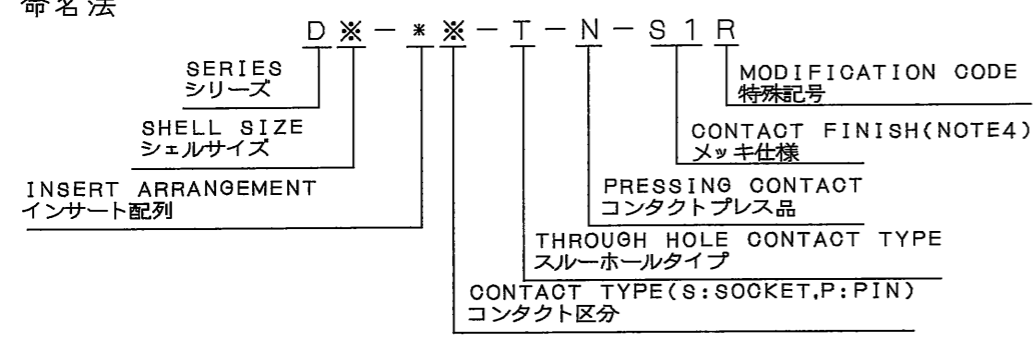


TABLE 1

PART NUMBER	DIMENSION IN MILLIMETERS										NUMBER OF CONTACT CONTACT数
	A	±0.25 B	±0.25 B'	±0.13 C	±0.25 D	±0.25 D'	E	F	G	H	
DE-9P-T-N-S1R	30.8	16.90	24.99	8.34	12.6	19.3	10.7	1.2	9		
DE-9S-T-N-S1R	30.8	16.26	24.99	7.82	12.6	19.3	10.7	1.2	9		
DA-15P-T-N-S1R	39.1	25.24	33.32	8.34	12.6	27.5	10.7	1.2	15		
DA-15S-T-N-S1R	39.1	24.59	33.32	7.82	12.6	27.5	10.7	1.2	15		
DB-25P-T-N-S1R	53.0	39.01	47.04	8.40	12.6	41.3	10.7	1.5	25		
DB-25S-T-N-S1R	53.0	38.30	47.04	7.82	12.6	41.3	10.7	1.2	25		
DC-37P-T-N-S1R	69.3	55.47	63.50	8.40	12.6	57.7	10.7	1.5	37		
DC-37S-T-N-S1R	69.3	54.76	63.50	7.82	12.6	57.7	10.7	1.2	37		
DD-50P-T-N-S1R	66.9	52.86	61.11	11.16	15.4	55.3	13.9	1.5	50		
DD-50S-T-N-S1R	66.9	52.34	61.11	10.65	15.4	55.3	13.9	1.2	50		

5	REAR INSULATOR	1	GLASS FILLED PBT	UL94V-0
4	REAR SHELL	1	STEEL	HEXAVALENT CHROMIUM FREE CHROMATE (TRIVALENT CHROMATE TREATMENT) ON ELECTROPLATED ZINC
3	FRONT INSULATOR	1	GLASS FILLED PBT	UL94V-0
2	FRONT SHELL	1	STEEL	HEXAVALENT CHROMIUM FREE CHROMATE (TRIVALENT CHROMATE TREATMENT) ON ELECTROPLATED ZINC
1	CONTACT	TABLE 1	COPPER ALLOY	NOTE 4
符号 NO.	名称 DESCRIPTION	個数 QTY.	材料 MATERIAL	仕上 FINISH
仕様書 (SPECIFICATION)	JACS-1045-5	第1版 (ORIGINAL DATE)	7.Sep.2005	尺度 (SCALE)
製図 DR.		名称 (TITLE)	D※-※※-T-N-S1R	シリーズ (SERIES)
公差 (GENERAL TOLERANCE)		製図 DR.		仕上 FINISH
寸法 (DIMENSION)	±1	担当 CHK.	Y.TAKA@I	備考 REMARKS
角度 (ANGLES)	X° ± 1°	査閲 APPD.		日本航空電子工業株式会社
.X ± 0.5	X° ± 1°	承認 APPD.	Y.KUBOTA	JAPAN AVIATION ELECTRONICS INDUSTRY, LTD.
.XX ± 0.3	X° ± 1°	製図 DR.		図面番号 (DRAWING NO.)
.XXX ±	X° ± 1°	承認 APPD.		SJ104735
		質量 (MASS)		版数 (REV.)
				2

DOF-0-212F(05.08)

