



Chipsmall Limited consists of a professional team with an average of over 10 year of expertise in the distribution of electronic components. Based in Hongkong, we have already established firm and mutual-benefit business relationships with customers from,Europe,America and south Asia,supplying obsolete and hard-to-find components to meet their specific needs.

With the principle of “Quality Parts,Customers Priority,Honest Operation,and Considerate Service”,our business mainly focus on the distribution of electronic components. Line cards we deal with include Microchip,ALPS,ROHM,Xilinx,Pulse,ON,Everlight and Freescale. Main products comprise IC,Modules,Potentiometer,IC Socket,Relay,Connector.Our parts cover such applications as commercial,industrial, and automotives areas.

We are looking forward to setting up business relationship with you and hope to provide you with the best service and solution. Let us make a better world for our industry!



Contact us

Tel: +86-755-8981 8866 Fax: +86-755-8427 6832

Email & Skype: info@chipsmall.com Web: www.chipsmall.com

Address: A1208, Overseas Decoration Building, #122 Zhenhua RD., Futian, Shenzhen, China



1

2

3

4

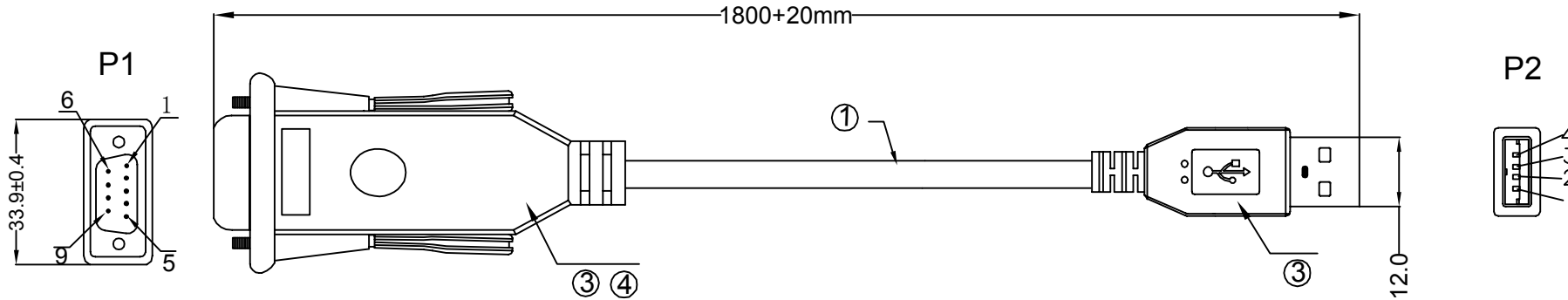
5

6

7

Signature	Revision History	Date	Rev.
Sean	For Bulk Production	FEB,27,2013	01

RoHS Compliant



NOTES:

1.CABLE: UL 2725 USB CABLE #28*4C+28 OD:4.5MM COLOR: BLACK

2.CONNECTOR:

P1 : D-SUB 9PIN MALE, HSG COLOR: BLUE / Thumbscrew (4#40)

P2 : USB A TYPE MALE , SOLDER, WHITE INSULATION, GOLD PLATED CONTACTS, NICKEL PLATED SHELL

3.HOOD: MOLDED TYPE,PVC 45P,COLOR:BLACK.

4.PCBA: Bonding

5.ELECTRICLE TEST:

(1)100% OPEN SHORT & MIS WIRE TEST.

(2)CONTACT RESISTANCE 3 ohm Max .

(3)INSULATION RESISTANCE 10M ohm Min .

(4)HI-POT TEST:DC 300V/10ms

PIN ASSIGNMENT			
P1(PCB)		P2	
1	RED	1	
2	WHITE	2	
3	GREEN	3	
5	BLACK	4	

	Date	Name
Drawn by	FEB,27,2013	Sean
Checked by	FEB,27,2013	Joe
Approved by	FEB,27,2013	Andy

Part No.	DA-70119
	EAN:4016032117940

ASSMANN
Electronic GmbH

Title
D-SUB 9Pin Male TO USB A/M CABLE
D-SUB 9PIN FEMALE TO D-SUB 25PIN MALE Adapter

Scale	N/A	Sheet
Unit	MM	1/3

STxxxxx

1

2

3

4

5

6

7

1

2

3

4

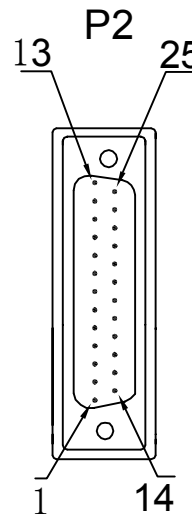
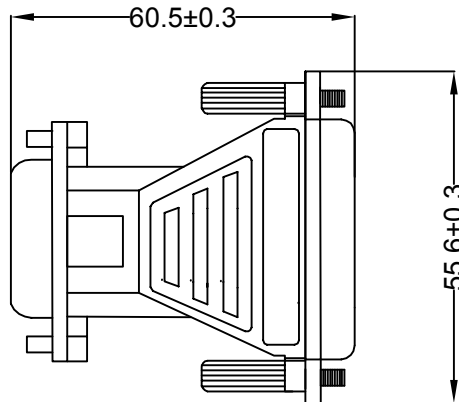
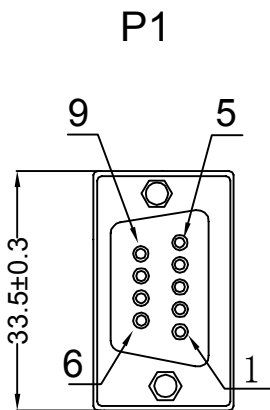
5

6

7

Signature	Revision History	Date	Rev.
Sean	For Bulk Production	FEB,27,2013	01

RoHS Compliant



PIN ASSIGNMENT		
P1		P2
1	_____	8
2	_____	3
3	_____	2
4	_____	20
5	_____	7
6	_____	6
7	_____	4
8	_____	5
9	_____	22

NOTES:

1.CONNECTOR:

P1 : D-SUB 9PIN FEMALE, HSG COLOR: BLUE

P2 : D-SUB 25PIN MALE, HSG COLOR: BLUE / Thumbscrew (4#40)

3.HOOD: MOLDED TYPE,PVC 45P,COLOR:BLACK.

4.PCBA: Bonding

5.ELECTRICLE TEST:

(1)100% OPEN SHORT & MIS WIRE TEST.

	Date	Name
Drawn by	FEB,27,2013	Sean
Checked by	FEB,27,2013	Joe
Approved by	FEB,27,2013	Andy

Part No.

DA-70119

EAN:4016032117940

Title

D-SUB 9Pin Male TO USB A/M CABLE
D-SUB 9PIN FEMALE TO D-SUB 25PIN MALE Adapter

Scale

N/A

Sheet

Unit

MM

2/3

ASSMANN
Electronic GmbH

STxxxxx

1

2

3

4

5

6

7

Package Details

RoHS Compliant

Signature	Revision History	Date	Rev.
Sean	For Bulk Production	FEB,27,2013	01

Single Cable

P/N	Cable Length	Rolling Size (Single Cable)	Bag Size (Single Cable)	Article Weight (Single Cable)
DA-70119	1.8m	mm max.	mm	0.166g

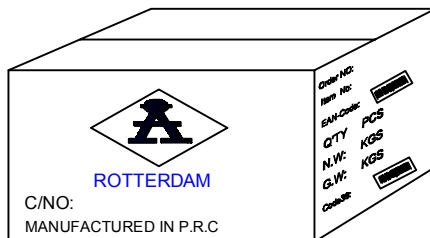
Inner Packing Unit

P/N	Cable Length	Quantity (Inner Packing Unit)	Type (Inner Packing Unit)	Size (Inner Packing Unit)	Weight (Inner Packing Unit)
DA-70119	--	--	--	-- mm	-- kg



CARTON DETAILS

P/N	Cable Length	Quantity (Carton)	Measurement (Carton)	N.W. (Carton)	N.W. (Carton)
DA-70119	1.8m	24pcs	40*30*30CM	4.0kg	5.0kg



	Date	Name	Part No.
Drawn by	FEB,27,2013	Sean	DA-70119
Checked by	FEB,27,2013	Joe	EAN:4016032117940
Approved by	FEB,27,2013	Andy	
ASSMANN Electronic GmbH			Title
			D-SUB 9Pin Male TO USB A/M CABLE D-SUB 9PIN FEMALE TO D-SUB 25PIN MALE Adapter
Scale		N/A	Sheet
Unit		MM	3/3

- * "ROTTERDAM" is for Sea Freight shipment
- * "COLOGNE" is for Air Freight shipment
- * "LUDENSCHIED" is for Fedex or UPS shipment