



Chipsmall Limited consists of a professional team with an average of over 10 year of expertise in the distribution of electronic components. Based in Hongkong, we have already established firm and mutual-benefit business relationships with customers from,Europe,America and south Asia,supplying obsolete and hard-to-find components to meet their specific needs.

With the principle of “Quality Parts,Customers Priority,Honest Operation,and Considerate Service”,our business mainly focus on the distribution of electronic components. Line cards we deal with include Microchip,ALPS,ROHM,Xilinx,Pulse,ON,Everlight and Freescale. Main products comprise IC,Modules,Potentiometer,IC Socket,Relay,Connector.Our parts cover such applications as commercial,industrial, and automotives areas.

We are looking forward to setting up business relationship with you and hope to provide you with the best service and solution. Let us make a better world for our industry!



Contact us

Tel: +86-755-8981 8866 Fax: +86-755-8427 6832

Email & Skype: info@chipsmall.com Web: www.chipsmall.com

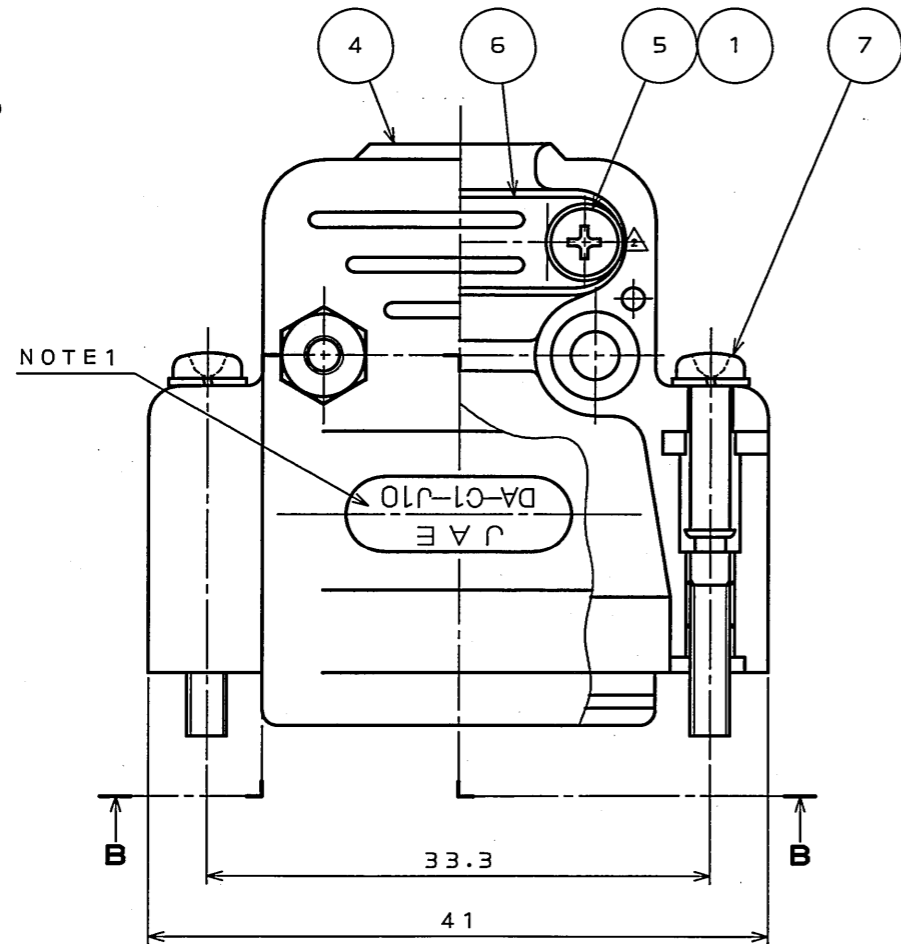
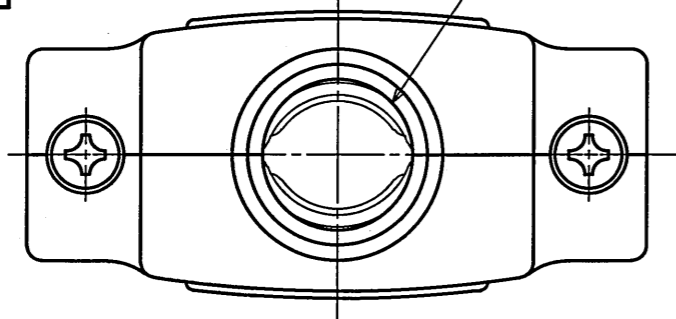
Address: A1208, Overseas Decoration Building, #122 Zhenhua RD., Futian, Shenzhen, China



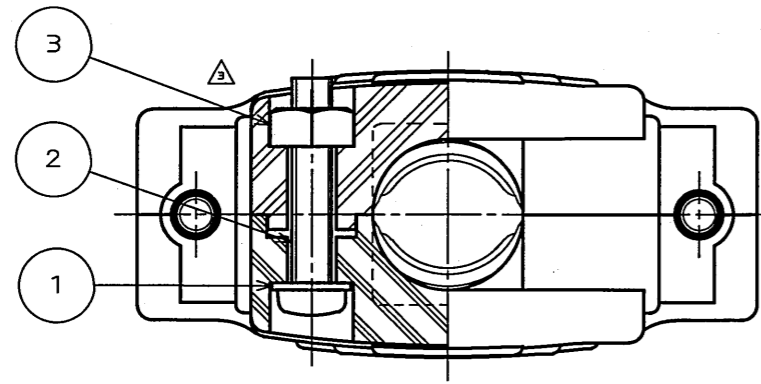
8Z6101PS

(ON 0NIMVHO)台架図

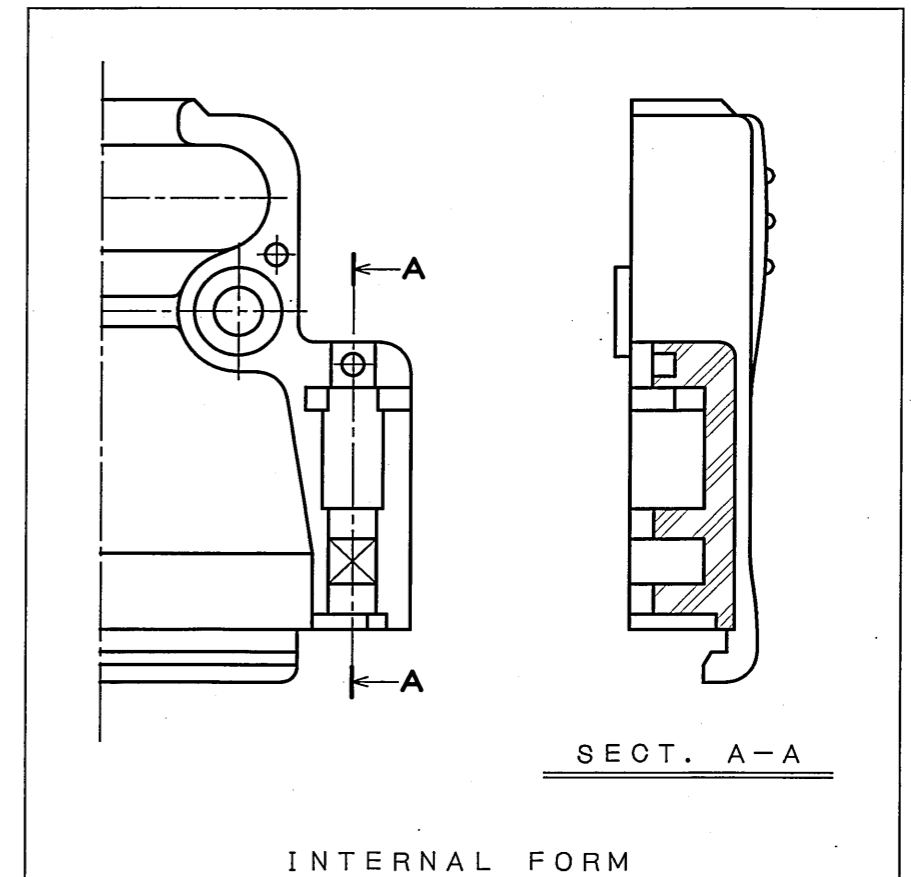
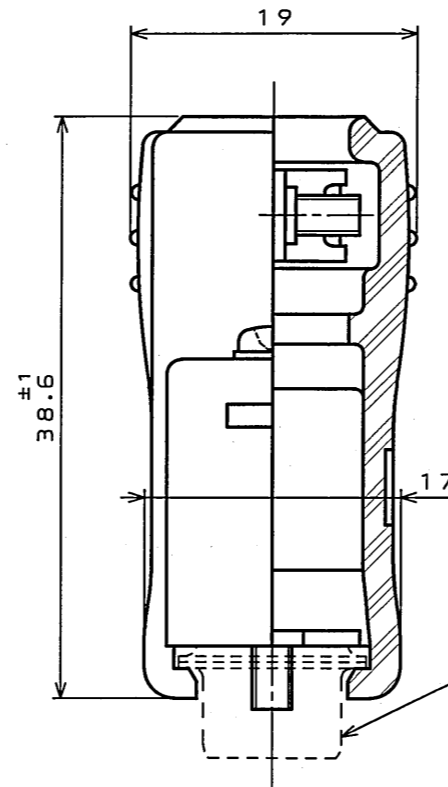
△ φ10MAX CABLE ENTRY
使用ケーブル最大径φ10



NOTE 1



SECT. B-B △



INTERNAL FORM
内部形状

版数 REV.	年月日 DATE	DCN NO.	変更内容 DESCRIPTION	製図 DR.	担当 CHK.	査閲 APPD.	承認 APPD.
2	25.Aug.2005	058072	SCREW REVISED FORM OTHERS		Y.TAKAGI		Y.KUBOTA
3	10.Apr.2006	059841	CORRECT AN ERROR		Y.TAKAGI	A. Tago	J. Kubota

符号 NO.	名称 DESCRIPTION	個数 QTY.	材料 MATERIAL	仕上 FINISH	備考 REMARKS
7	SCREW LOCK ASS'Y	2	STEEL	HEXAVALENT CHROMIUM FREE CHROMATE (TRIVALENT CHROMATE TREATMENT) ON ELECTROPLATED ZINC	M2.6
	SPRING WASHER	2	STEEL	HEXAVALENT CHROMIUM FREE CHROMATE (TRIVALENT CHROMATE TREATMENT) ON ELECTROPLATED ZINC	
6	CLAMP SADDLE	2	STEEL	HEXAVALENT CHROMIUM FREE CHROMATE (TRIVALENT CHROMATE TREATMENT) ON ELECTROPLATED ZINC	
△ 5	CROSS PAN HEAD SCREW	2	STEEL	HEXAVALENT CHROMIUM FREE CHROMATE (TRIVALENT CHROMATE TREATMENT) ON ELECTROPLATED ZINC	M2.6×7
4	HOOD	2	ABS RESIN	(COLOR: LIGHT GREY)	
3	HEXAGON NUT	2	COPPER ALLOY △	HEXAVALENT CHROMIUM FREE CHROMATE (TRIVALENT CHROMATE TREATMENT) ON ELECTROPLATED ZINC	M2.6
△ 2	CROSS PAN HEAD SCREW	2	STEEL	HEXAVALENT CHROMIUM FREE CHROMATE (TRIVALENT CHROMATE TREATMENT) ON ELECTROPLATED ZINC	M2.6×14
1	SPRING WASHER	4	STEEL	HEXAVALENT CHROMIUM FREE CHROMATE (TRIVALENT CHROMATE TREATMENT) ON ELECTROPLATED ZINC	M2.6

仕様書 (SPECIFICATION)	第1版 (ORIGINAL DATE) 16.May.2005	尺度 (SCALE) 2:1	シリーズ (SERIES) D-sub	日本航空電子工業株式会社 JAPAN AVIATION ELECTRONICS INDUSTRY, LTD.
製図 DR.	製図 DR.	名称 (TITLE) DA-C1-J10R		
公差差 (GENERAL TOLERANCE)	担当 CHK. T.NOMIYAMA			
寸法 (DIMENSION) 角度 (ANGLES)	査閲 APPD.			
. ± 1 X° ±	承認 APPD.			図面番号 (DRAWING NO.) SJ101928
.X ± 0.5 X° ±	承認 APPD. Y.KUBOTA			
.XX ±		質量 (MASS)		版数 (REV.) 3
.XXX ±				

△ NOTE 1. LETTERS "JAE" AND "DA-C1-J10" ARE SHOWN ON THIS SURFACE.
2. PARTS SHALL BE SUPPLIED BEFORE ASSEMBLY.
注1. 図示の位置に "JAE" "DA-C1-J10" を表示する。
注2. 各部品は組立せず、ばらの状態で納入する。

DOF-0-212E(03.08)

