



Chipsmall Limited consists of a professional team with an average of over 10 year of expertise in the distribution of electronic components. Based in Hongkong, we have already established firm and mutual-benefit business relationships with customers from,Europe,America and south Asia,supplying obsolete and hard-to-find components to meet their specific needs.

With the principle of “Quality Parts,Customers Priority,Honest Operation,and Considerate Service”,our business mainly focus on the distribution of electronic components. Line cards we deal with include Microchip,ALPS,ROHM,Xilinx,Pulse,ON,Everlight and Freescale. Main products comprise IC,Modules,Potentiometer,IC Socket,Relay,Connector.Our parts cover such applications as commercial,industrial, and automotives areas.

We are looking forward to setting up business relationship with you and hope to provide you with the best service and solution. Let us make a better world for our industry!



Contact us

Tel: +86-755-8981 8866 Fax: +86-755-8427 6832

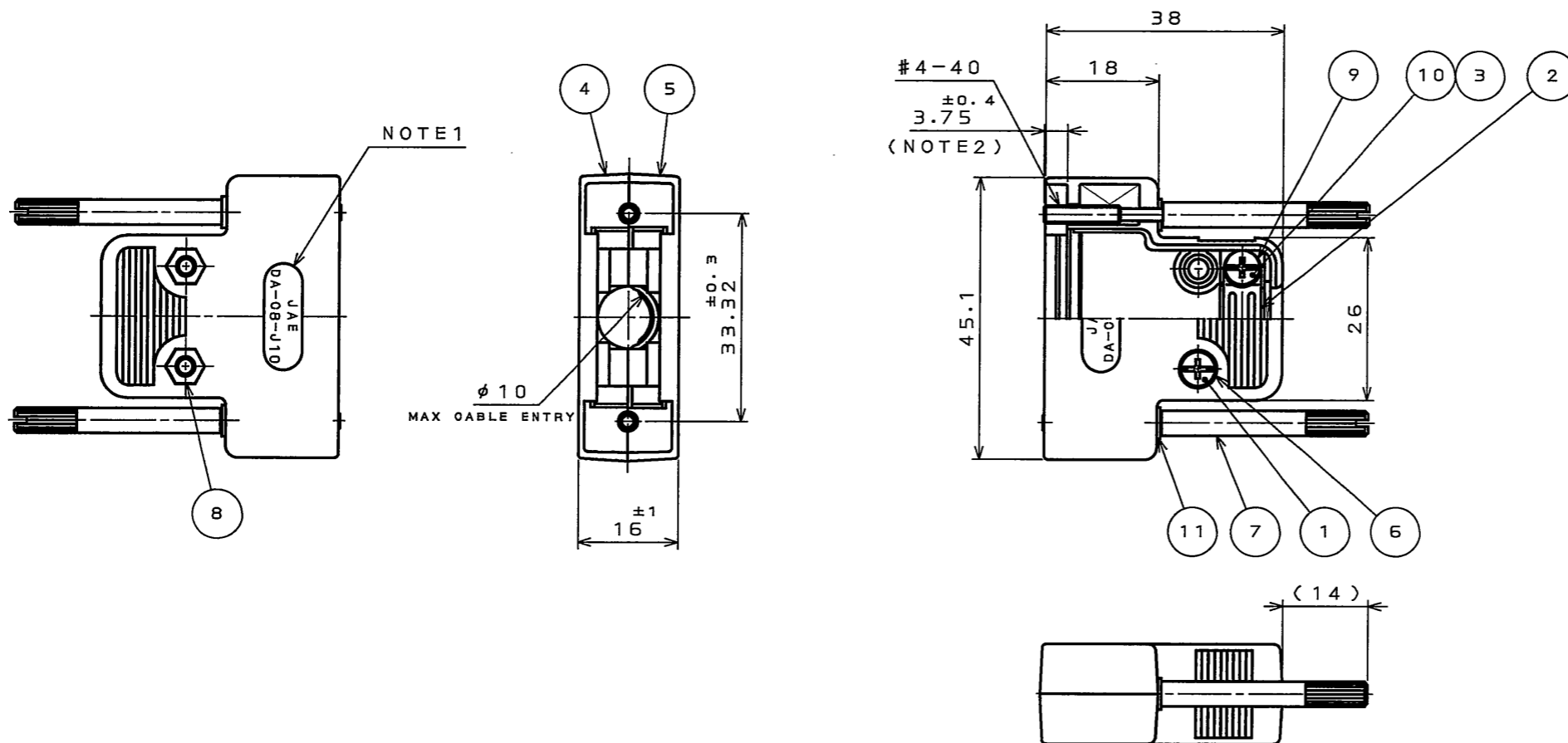
Email & Skype: info@chipsmall.com Web: www.chipsmall.com

Address: A1208, Overseas Decoration Building, #122 Zhenhua RD., Futian, Shenzhen, China



6ZEE01PS
(ON DRAWING) 台要理図

版数 REV.	年月日 DATE	DCN NO.	変更内容 DESCRIPTION	製図 DR.	担当 CHK.	査閲 APPD.	承認 APPD.
2	10.Nov.2005	058570	CHANGE TO BILINGUAL		Y.TAKA01	A. Tago	J. Kubota



NOTE 1. COMPANY LOGO AND PART NUMBER ARE MARKED AT THE LOCATION SHOWN IN THE DRAWING.

"-F5-1R" IS NOT MARKED ON CONNECTOR.

2. THIS DIMENSION SHOWS THE PROTRUDED AMOUNT OF SCREW.

注1. 図示の位置に社標及び品名を表示する。但し「-F5-1R」は表示されない。

2. この寸法はねじの出張り量を表す。

11	FLAT WASHER	2	STEEL	NICKEL PLATING	M2.6
10	PLUS-CUM-MINUS PAN HEAD SCREW	2	STEEL	NICKEL PLATING	M3×6
9	SPRING WASHER	2	STEEL	NICKEL PLATING	M3
8	HEXAGON NUT	2	STEEL	NICKEL PLATING	M3
7	LOCK SCREW	2	STEEL	NICKEL PLATING	
6	FLAT WASHER	2	STEEL	NICKEL PLATING	M3
5	HOOD B	1	ABS RESIN	NICKEL PLATING	HARSH PROCESS
4	HOOD A	1	ABS RESIN	NICKEL PLATING	HARSH PROCESS
3	INSERT	2	COPPER ALLOY	NICKEL PLATING	
2	CLAMP SADDLE	1	STEEL	NICKEL PLATING	
1	PLUS-CUM-MINUS PAN HEAD SCREW	2	STEEL	NICKEL PLATING	M3×12
符号 NO.	名称 DESCRIPTION	個数 QTY.	材料 MATERIAL	仕上 FINISH	備考 REMARKS

仕様書 (SPECIFICATION)		第1版 (ORIGINAL DATE) 13.Jul.2005	尺度 (SCALE) 1:1	シリーズ (SERIES) D-sub	日本航空電子工業株式会社 JAPAN AVIATION ELECTRONICS INDUSTRY, LTD.
一般公差 (GENERAL TOLERANCE)		製図 DR.	名称 (TITLE) DA-08-J10-F5-1R		
寸法 (DIMENSION)		担当 CHK. Y.TAKA01	質量 (MASS)		
角度 (ANGLES)		査閲 APPD.	図面番号 (DRAWING NO.) SJ103379		
. ±0.5		承認 APPD.	版数 (REV.) 2		
.X ±0.5		承認 APPD.			
.XX ±					
.XXX ±					

DOF-0-212F(05.08)

0 10 20 30 40 50 60 70 80 90 100