



Chipsmall Limited consists of a professional team with an average of over 10 year of expertise in the distribution of electronic components. Based in Hongkong, we have already established firm and mutual-benefit business relationships with customers from,Europe,America and south Asia,supplying obsolete and hard-to-find components to meet their specific needs.

With the principle of “Quality Parts,Customers Priority,Honest Operation,and Considerate Service”,our business mainly focus on the distribution of electronic components. Line cards we deal with include Microchip,ALPS,ROHM,Xilinx,Pulse,ON,Everlight and Freescale. Main products comprise IC,Modules,Potentiometer,IC Socket,Relay,Connector.Our parts cover such applications as commercial,industrial, and automotives areas.

We are looking forward to setting up business relationship with you and hope to provide you with the best service and solution. Let us make a better world for our industry!



Contact us

Tel: +86-755-8981 8866 Fax: +86-755-8427 6832

Email & Skype: info@chipsmall.com Web: www.chipsmall.com

Address: A1208, Overseas Decoration Building, #122 Zhenhua RD., Futian, Shenzhen, China



DA16 Series

16 Watts

Total Power: 16 Watts
Input Voltage: 90-264 Vac
of Outputs: Single



Special Features

- Switching wallmount power supply
- Available in multiple ac plug configurations
- CE Mark EMC & LVD
- Universal AC input
- Fully regulated output
- Overload and short circuit protection
- Thermal protection
- Designed to meet Blue Angel standard
- European Code of Conduct compliance
- Constant voltage
- High efficiency
- High MTBF
- Built in EMI filter (CISPR 22 Class B)
- LED power good indicator

Safety

- **UL** 60950 / 6500
- **CSA** 60950
- **TUV** 60950
- **NEMKO** 60950
- **AS/NZS** 60950
- **CB** Certificate and report
- **CE** EMC & LVD

Electrical Specifications

Input	
Input range:	90-264 Vac (wide range)
Frequency:	47-63 Hz
Inrush current:	40 A @ 230 Vac, cold start @ 25 °C
Input current:	0.18 A rms @ 120 VAC; 0.36 A @ 240 VAC
Efficiency:	75% @ full load typical, @120 VAC
EMI/RFI:	FCC Part 15, Subpart B Class B & EN55022 (CISPR 22) Class B & EMC89/336/EEC
Safety ground leakage current:	300 μ A @ 50/60 Hz, 230 Vac input
Output	
Voltage (Vo):	12.2 V
Voltage regulation:	\pm 5% @ constant voltage mode
Maximum Power (Po):	16 W
Hold-up time:	20 ms. typical at full load @ 115 Vac
Overvoltage protection:	Non-latching type
Overload protection:	Output shortcircuit protection auto recover Overload protected @ 150% above maximum rating
Overtemperature protection:	Auto recovery
Output cable/connector barrel polarity:	DC cable with 2.5 mm x5.5mm barrel plug DC plug center +v DC plug outer -v



Environmental Specifications

Operating temperature:	0 ° to +40 °C ambient
Storage temperature:	-40 °C to +85 °C
Electromagnetic susceptibility:	Designed to meet EN55024
Humidity:	Operating; non-condensing 5% to 95% RH
Vibration:	Three orthogonal axes, sweep at 1 oct/min. 5 min. dwell at four major resonances 2G peak 8 Hz to 500 Hz, operational
MTBF demonstrated:	>550,000 hours at full load and 25 °C ambient conditions

AC Plug Configuration

U.S. 2-prong	US
Europe 2-prong	EU
United Kingdom 3-prong	UK
Australia 2-prong	AU

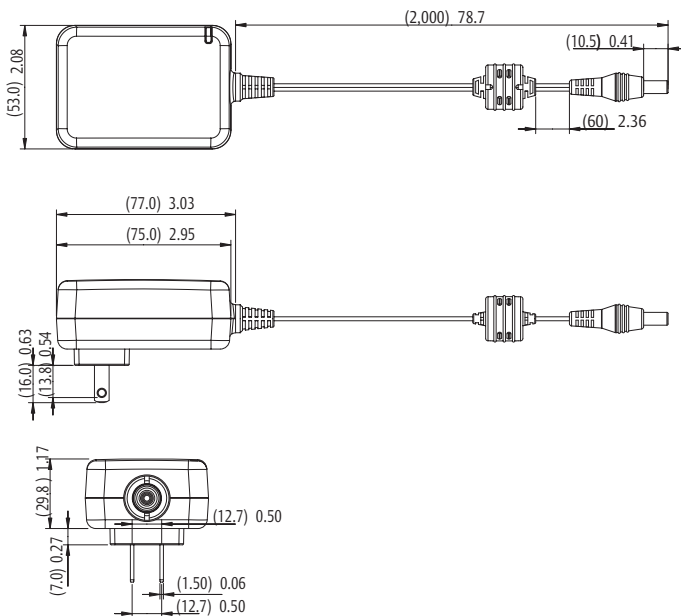
Ordering Information

Model Number	Maximum Power	Output Voltage	Minimum Load	Maximum Load	Peak Load ¹	Regulation ²	Ripple P/P (PARD) ³
DA16-120US	16 W	12.2 V	0.2 A	1.33 A	1.5 A	± 3%	120 mV
DA16-120EU	16 W	12.2 V	0.2 A	1.33 A	1.5 A	± 3%	120 mV
DA16-120UK	16 W	12.2 V	0.2 A	1.33 A	1.5 A	± 3%	120 mV
DA16-120AU	16 W	12.2 V	0.2 A	1.33 A	1.5 A	± 3%	120 mV

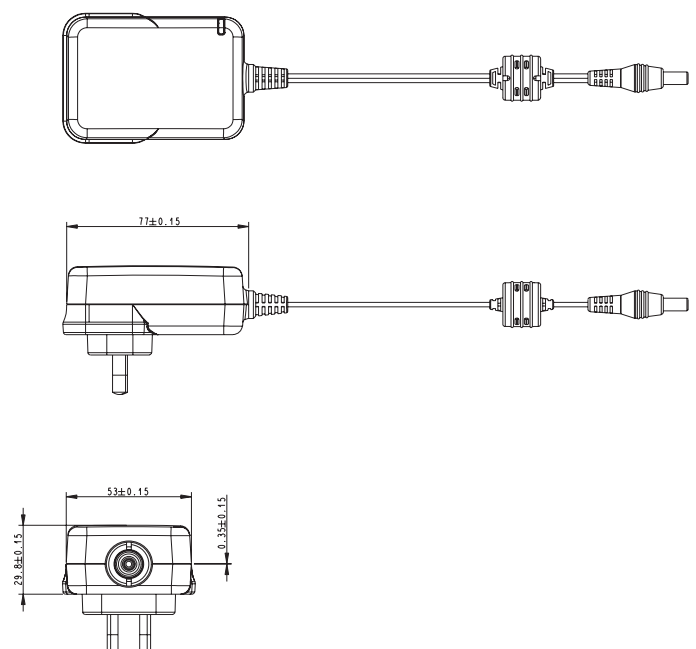
1. Peak current lasting < 30 seconds with a maximum 10% duty cycle.
2. At 25 °C including initial tolerance, line voltage, load currents and output voltages adjusted to factory settings.
3. Peak-to-peak with 20 mHz bandwidth and 10 µF in parallel with a 0.1 µF capacitor at rated line voltage and load ranges.
4. Minimum loads are required.

Mechanical Drawing

DA16XX-US

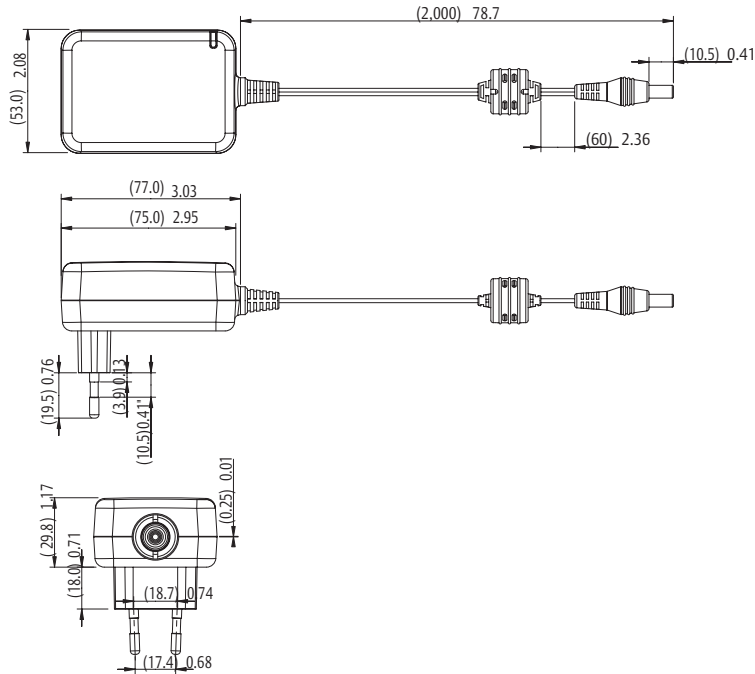


DA16XX-AU

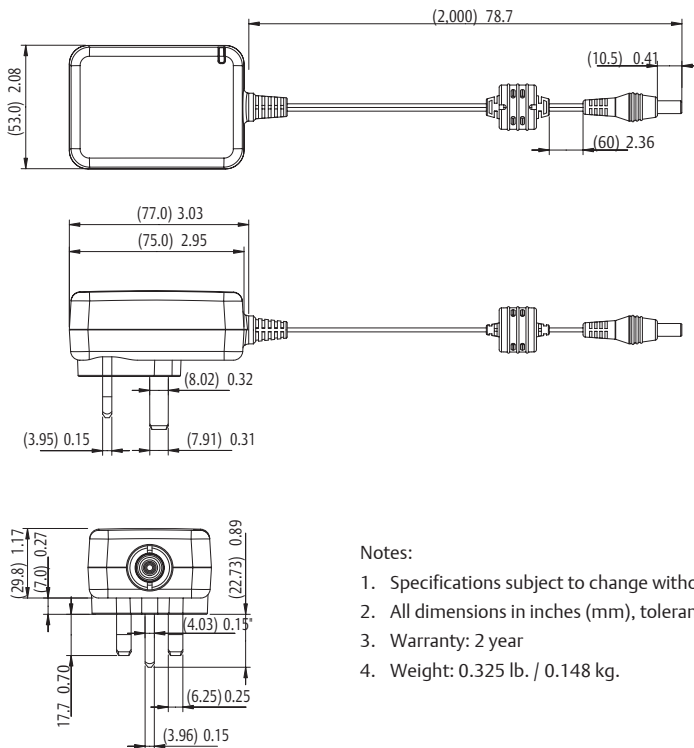


Mechanical Drawing

DA16-XXX-EU



DA16-XXX-UK



Notes:

1. Specifications subject to change without notice.
2. All dimensions in inches (mm), tolerance is ± 0.02 "
3. Warranty: 2 year
4. Weight: 0.325 lb. / 0.148 kg.

Americas

5810 Van Allen Way
Carlsbad, CA 92008
USA
Telephone: +1 760 930 4600
Facsimile: +1 760 930 0698

Europe (UK)

Waterfront Business Park
Merry Hill, Dudley
West Midlands, DY5 1LX
United Kingdom
Telephone: +44 (0) 1384 842 211
Facsimile: +44 (0) 1384 843 355

Asia (HK)

14/F, Lu Plaza
2 Wing Yip Street
Kwun Tong, Kowloon
Hong Kong
Telephone: +852 2176 3333
Facsimile: +852 2176 3888

For global contact, visit:

www.powerconversion.com
techsupport.embeddedpower@emerson.com

While every precaution has been taken to ensure accuracy and completeness in this literature, Emerson Network Power assumes no responsibility, and disclaims all liability for damages resulting from use of this information or for any errors or omissions.

Emerson Network Power.

The global leader in enabling business-critical continuity.

- AC Power
- Connectivity
- DC Power
- Embedded Computing
- **Embedded Power**
- Monitoring
- Outside Plant
- Power Switching & Controls
- Precision Cooling
- Racks & Integrated Cabinets
- Services
- Surge Protection

EmersonNetworkPower.com

Emerson Network Power and the Emerson Network Power logo are trademarks and service marks of Emerson Electric Co. ©2008 Emerson Electric Co.