



Chipsmall Limited consists of a professional team with an average of over 10 year of expertise in the distribution of electronic components. Based in Hongkong, we have already established firm and mutual-benefit business relationships with customers from,Europe,America and south Asia,supplying obsolete and hard-to-find components to meet their specific needs.

With the principle of “Quality Parts,Customers Priority,Honest Operation,and Considerate Service”,our business mainly focus on the distribution of electronic components. Line cards we deal with include Microchip,ALPS,ROHM,Xilinx,Pulse,ON,Everlight and Freescale. Main products comprise IC,Modules,Potentiometer,IC Socket,Relay,Connector.Our parts cover such applications as commercial,industrial, and automotives areas.

We are looking forward to setting up business relationship with you and hope to provide you with the best service and solution. Let us make a better world for our industry!



## Contact us

Tel: +86-755-8981 8866 Fax: +86-755-8427 6832

Email & Skype: info@chipsmall.com Web: www.chipsmall.com

Address: A1208, Overseas Decoration Building, #122 Zhenhua RD., Futian, Shenzhen, China



## DA18-M Series

18 Watts

### Data Sheet

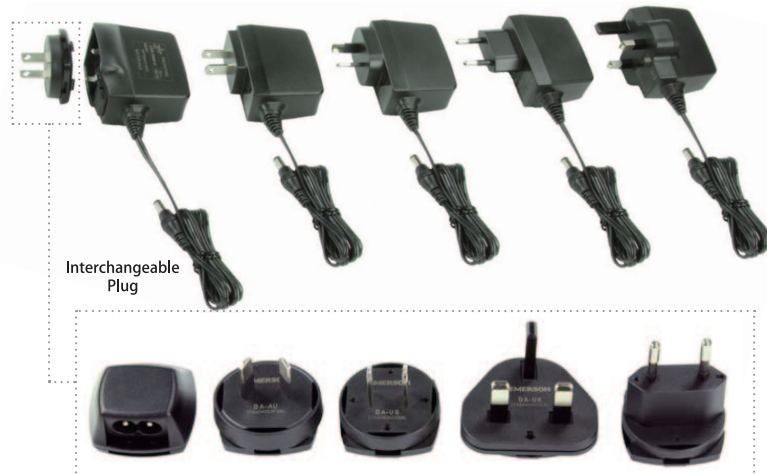
**Total Power: 18 Watts**  
**Input Voltage: 90 - 264 Vac**  
**# of Outputs: Single**

### SPECIAL FEATURES

- Medical and ITE Safeties
- Switching wallmount power supply
- Available in interchangeable & fixed ac plug configurations
- US and EU interchangeable AC plugs can be inserted in multiple orientations (straight or 90°)
- CE Mark EMC, LVD & ErP 2011
- Universal AC input
- Fully regulated output
- Overload and short circuit protection
- Thermal protection
- Energy Star and CeC compliant
- Efficiency level V
- Constant voltage
- High MTBF
- Built in EMI filter (CISPR 22 Class B)

### SAFETY

- UL 60950, 60601-1
- cUL 60950, 60601-1
- TUV 60950-1, 60601-1
- AS/NZS 60950-1, 60601-1
- CB Certificate and report
- CE EMC, LVD & ErP 2011 for EU & UK versions



### Electrical Specifications

Input	
Input range:	90 - 264 Vac (wide range)
Frequency:	47 - 63Hz
Inrush current:	28 A @ 264 Vac
Input current:	0.35 A rms @ 120 Vac; 0.25 A @ 240 Vac
EMI/RFI:	FCC Part 15, Subpart B Class B & EN55022 (CISPR 22) Class B
Safety ground leakage current:	100 $\mu$ A @ 50/60 Hz, 264 Vac input
Output	
Voltage (Vo):	12 V and 15 V versions
Voltage regulation:	$\pm$ 5% @ constant voltage mode
Maximum Power (Po):	18 W
Hold-up time:	10 ms. typical at full load @ 230 Vac
Overvoltage protection:	Non-latching type
Overload protection:	Output shortcircuit protection auto recover Overload protected @ 150% above maximum rating
Overtemperature protection:	Auto recovery
Output cable/connector barrel polarity:	DC cable with 2.5 mm x 5.5mm barrel plug, 2.1 mm x 5.5 mm available on DC multi-plug version. For others please contact factory. DC plug center +v DC plug outer -v

### Environmental Specifications

Operating temperature:	0 ° to +40 °C ambient
Storage temperature:	-40 °C to +85 °C
Electromagnetic susceptibility:	Designed to meet EN55024
Humidity:	Operating; non-condensing 5% to 95% RH
Vibration:	Frequency/PSD: 5 - 350 Hz    0.0001 g <sup>2</sup> /Hz 350 - 500 Hz - 6dB/Oct. 500 Hz                0.00005 g <sup>2</sup> /Hz Acceleration: 0.21 gRMS Duration: 20 min per second

### AC Plug Configuration for Fixed Plug

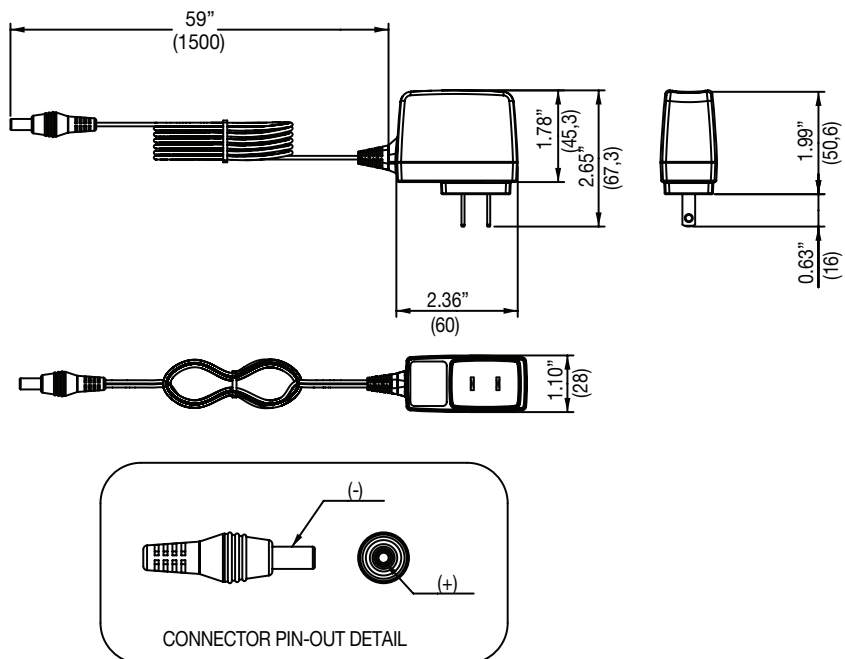
U.S. 2-prong	US
Europe 2-prong	EU
United Kingdom 3-prong	UK
Australia 2-prong	AU

### AC Plug Configuration for Interchangeable Plug

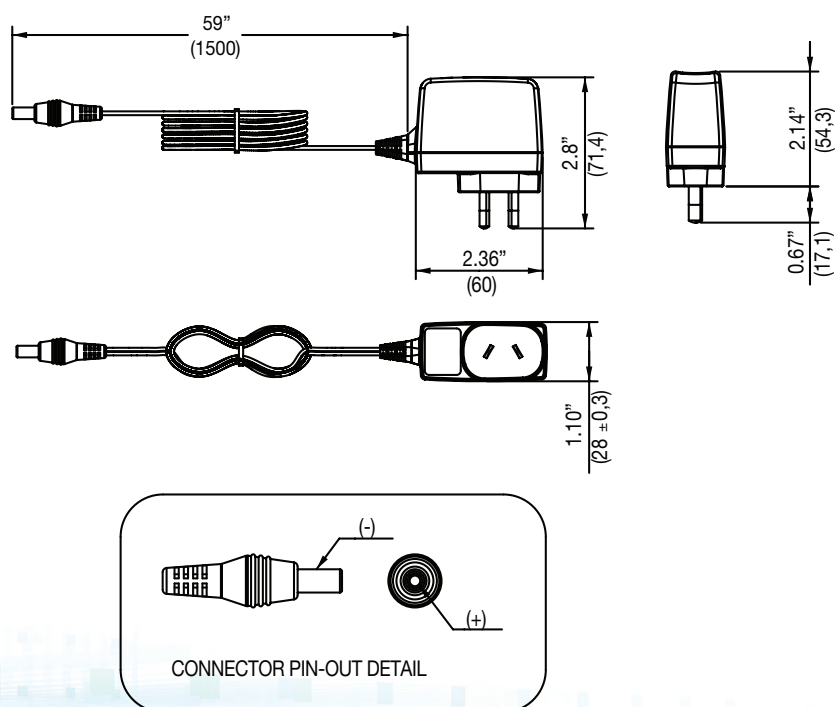
U.S. 2-prong	DA-US
Europe 2-prong	DA-EU
United Kingdom 3-prong	DA-UK
Australia 2-prong	DA-AU
C8 - 2 receptacle	DA-C8
Japan 2-prong	DA-JP
China 2-prong	DA-CH
Korea 2-prong	DA-KR

Mechanical Drawings

DA18-XXXUS-M

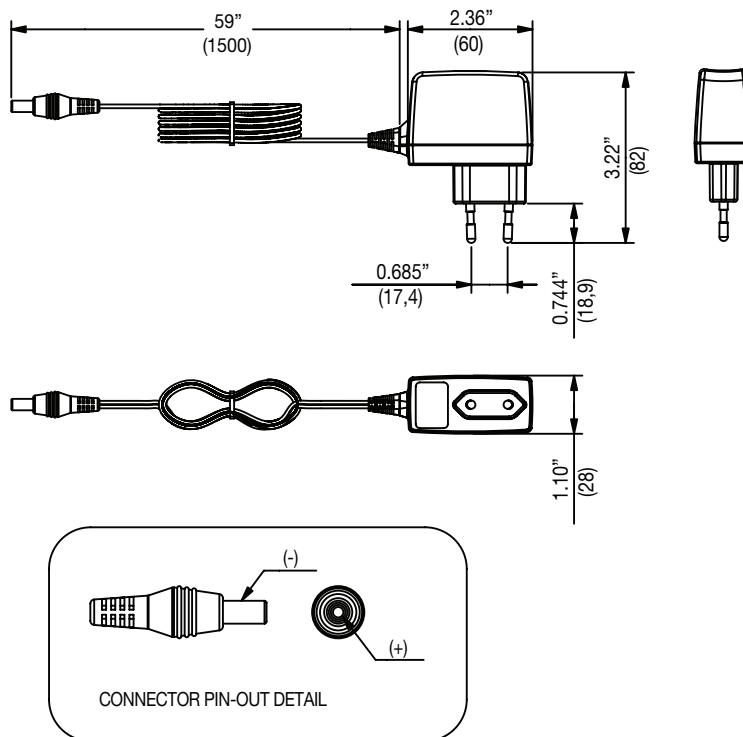


DA18-XXXAU-M

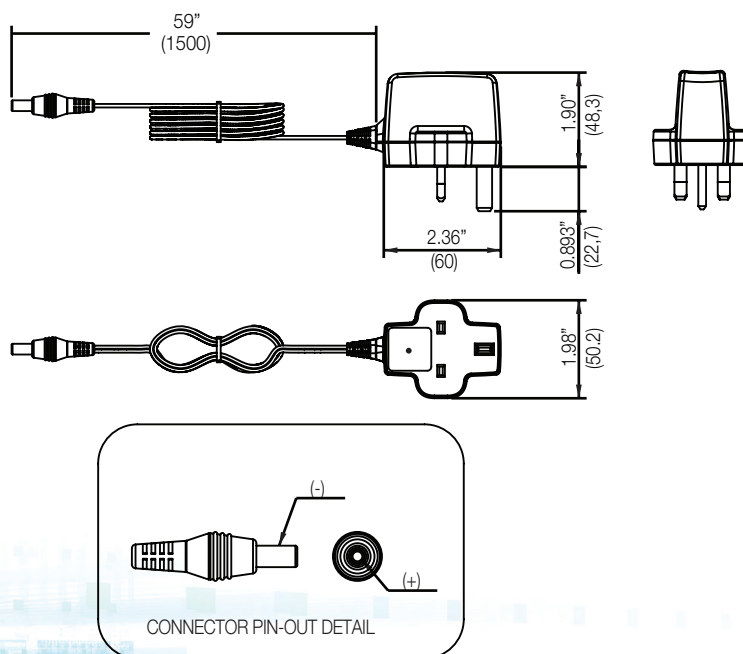


Mechanical Drawings

DA18-XXXEU-M

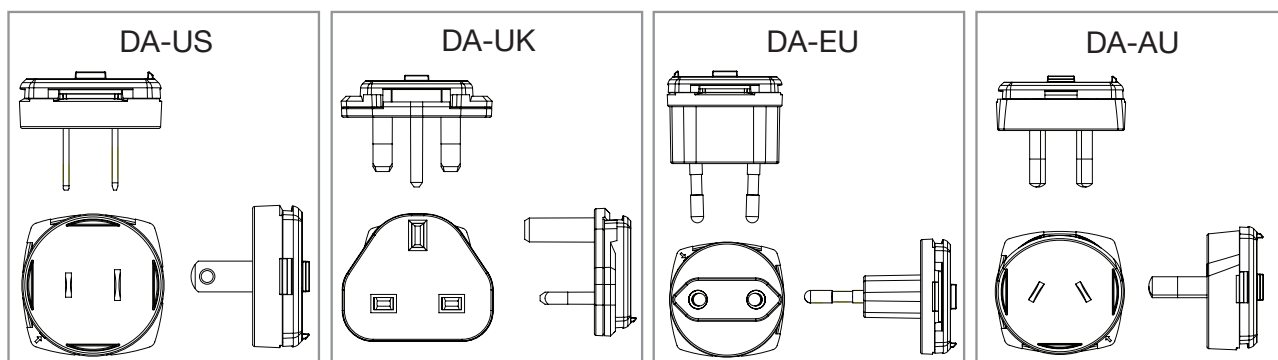
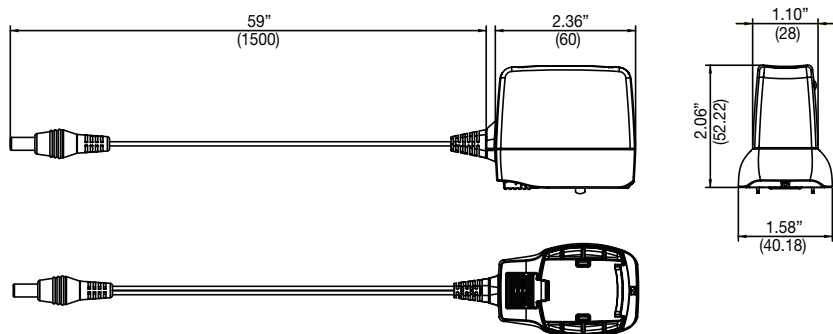


DA18-XXXUK-M



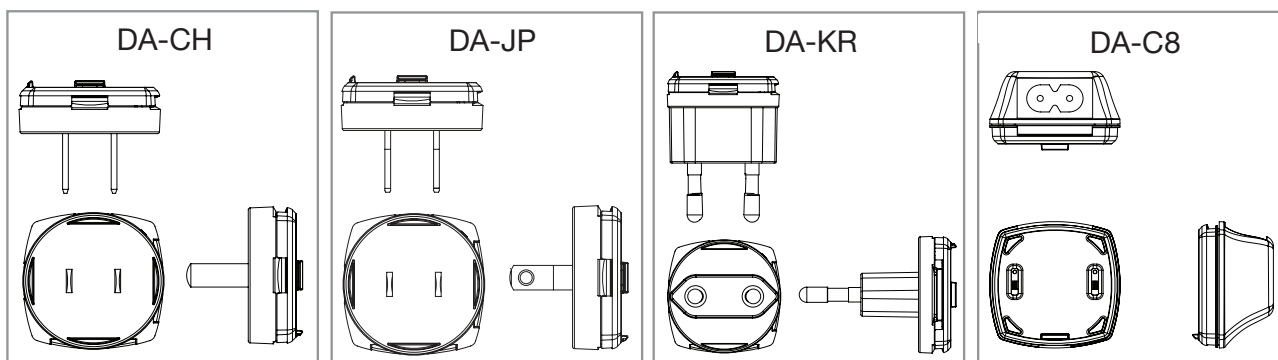
Mechanical Drawings

DA18-MP Interchangeable Plug Adapter



\*Can be inserted straight or 90°

\*Can be inserted straight or 90°



\*Can be inserted straight or 90°

\*Can be inserted straight or 90°

Notes:

1. Specifications subject to change without notice.
2. All dimensions in inches (mm), tolerance is  $\pm .02"$ .
3. Weight: 0.25 lb/0.114 kg
4. Warranty: 2 years

## Ordering Information - DA18 Adapter

Model Number	Maximum Power	Output Voltage	Minimum Load	Maximum Load	Regulation <sup>2</sup>	Ripple P/P (PARD) <sup>3</sup>
DA18-120US-M	18 W	12.0 V	0 A	1.5	± 5%	120 mV
DA18-120EU-M	18 W	12.0 V	0 A	1.5	± 5%	120 mV
DA18-120UK-M	18 W	12.0 V	0 A	1.5	± 5%	120 mV
DA18-120AU-M	18 W	12.0 V	0 A	1.5	± 5%	120 mV
DA18-120MP-M*	18 W	12.0 V	0 A	1.5	± 5%	120 mV
DA18-120MP-M2.1**	18 W	12.0 V	0 A	1.5	± 5%	120 mV
DA18-150US-M	18 W	15.0 V	0 A	1.2	± 5%	150 mV
DA18-150EU-M	18 W	15.0 V	0 A	1.2	± 5%	150 mV
DA18-150UK-M	18 W	15.0 V	0 A	1.2	± 5%	150 mV
DA18-150AU-M	18 W	15.0 V	0 A	1.2	± 5%	150 mV
DA18-150MP-M*	18 W	15.0 V	0 A	1.2	± 5%	150 mV
DA18-150MP-M2.1**	18 W	15.0 V	0 A	1.2	± 5%	150 mV

\* Interchangeable version - AC Plugs must be purchased separately to be used with DA18-120MP-M and DA18-150MP-M.

\*\* 2.1 mm x 5.5 mm barrel plug

## Ordering Information - DA18 Interchangeable Plug

Model Number	
DA-US	DA-C8
DA-EU	DA-JP
DA-UK	DA-CH
DA-AU	DA-KR
DA-All (Includes DA-US, DA-EU, DA-UK, and DA-AU)	

1. Peak current lasting < 30 seconds with a maximum 10% duty cycle.
2. At 25 °C including initial tolerance, line voltage, load currents and output voltages adjusted to factory settings.
3. Peak-to-peak with 20 mHz bandwidth and 10 µF in parallel with a 0.1 µF capacitor at rated line voltage and load ranges.
4. Power supplies will operate with no-load.

## WORLDWIDE OFFICES

## Americas

2900 S.Diablo Way  
Tempe, AZ 85282  
USA  
+1 888 412 7832

## Europe (UK)

Waterfront Business Park  
Merry Hill, Dudley  
West Midlands, DY5 1LX  
United Kingdom  
+44 (0) 1384 842 211

## Asia (HK)

14/F, Lu Plaza  
2 Wing Yip Street  
Kwun Tong, Kowloon  
Hong Kong  
+852 2176 3333

**ARTESYN**<sup>™</sup>  
EMBEDDED TECHNOLOGIES

[www.artesyn.com](http://www.artesyn.com)

While every precaution has been taken to ensure accuracy and completeness in this literature, Artesyn Embedded Technologies assumes no responsibility, and disclaims all liability for damages resulting from use of this information or for any errors or omissions. Artesyn Embedded Technologies, Artesyn and the Artesyn Embedded Technologies logo are trademarks and service marks of Artesyn Embedded Technologies, Inc. All other names and logos referred to are trade names, trademarks, or registered trademarks of their respective owners.  
© 2014 Artesyn Embedded Technologies, Inc.

For more information: [www.artesyn.com/power](http://www.artesyn.com/power)  
For support: [productsupport.ep@artesyn.com](mailto:productsupport.ep@artesyn.com)

DA18-M Series-DS 06.04.14