



Chipsmall Limited consists of a professional team with an average of over 10 year of expertise in the distribution of electronic components. Based in Hongkong, we have already established firm and mutual-benefit business relationships with customers from,Europe,America and south Asia,supplying obsolete and hard-to-find components to meet their specific needs.

With the principle of “Quality Parts,Customers Priority,Honest Operation,and Considerate Service”,our business mainly focus on the distribution of electronic components. Line cards we deal with include Microchip,ALPS,ROHM,Xilinx,Pulse,ON,Everlight and Freescale. Main products comprise IC,Modules,Potentiometer,IC Socket,Relay,Connector.Our parts cover such applications as commercial,industrial, and automotives areas.

We are looking forward to setting up business relationship with you and hope to provide you with the best service and solution. Let us make a better world for our industry!



## Contact us

Tel: +86-755-8981 8866 Fax: +86-755-8427 6832

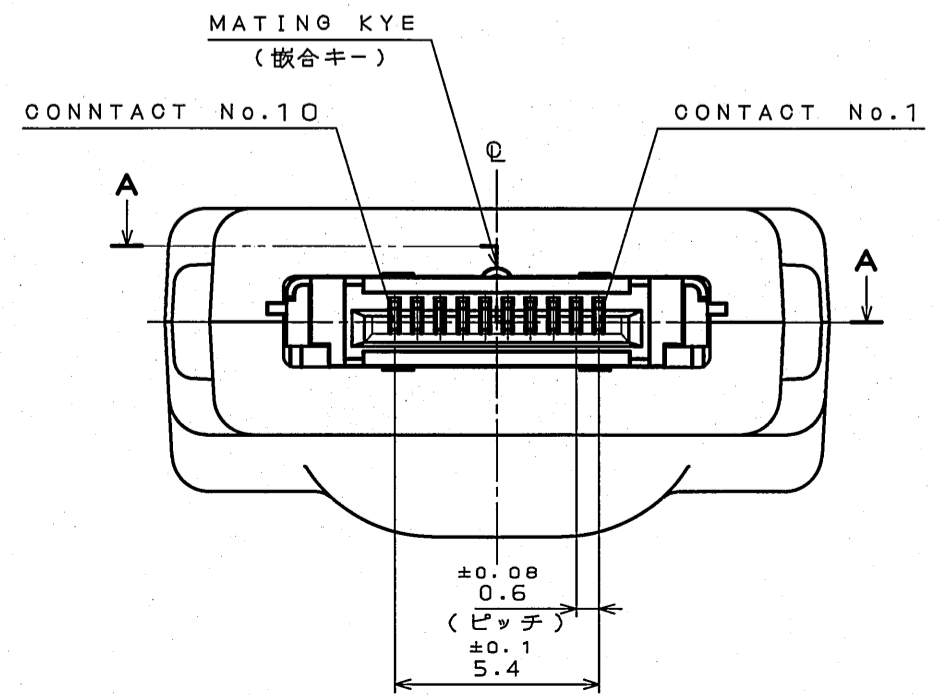
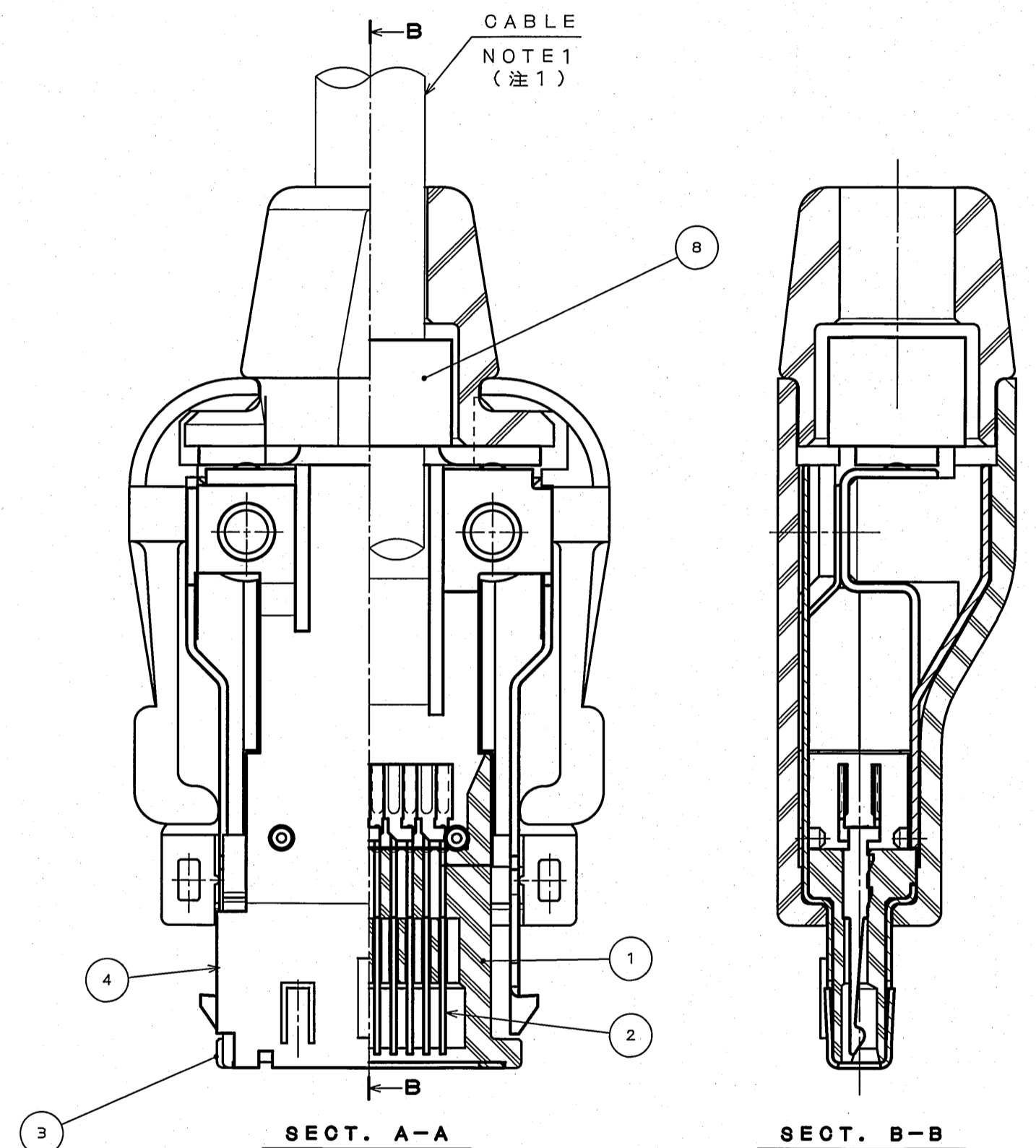
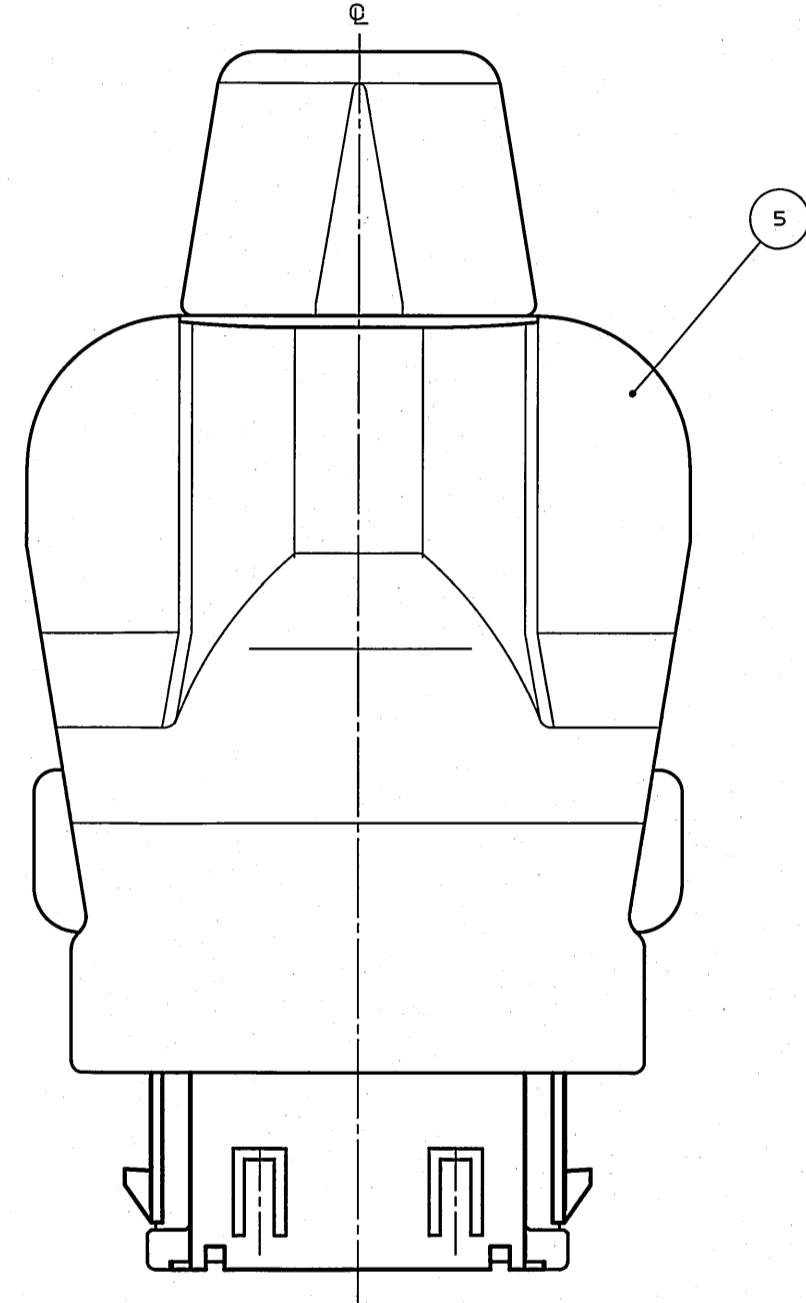
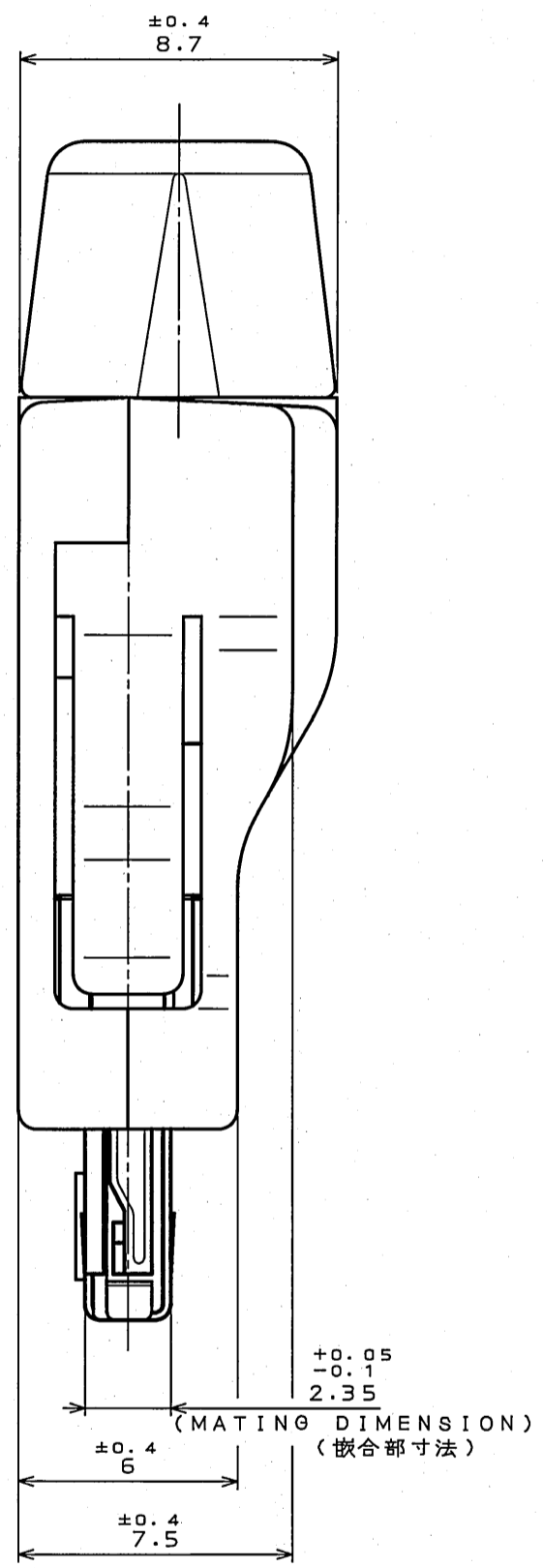
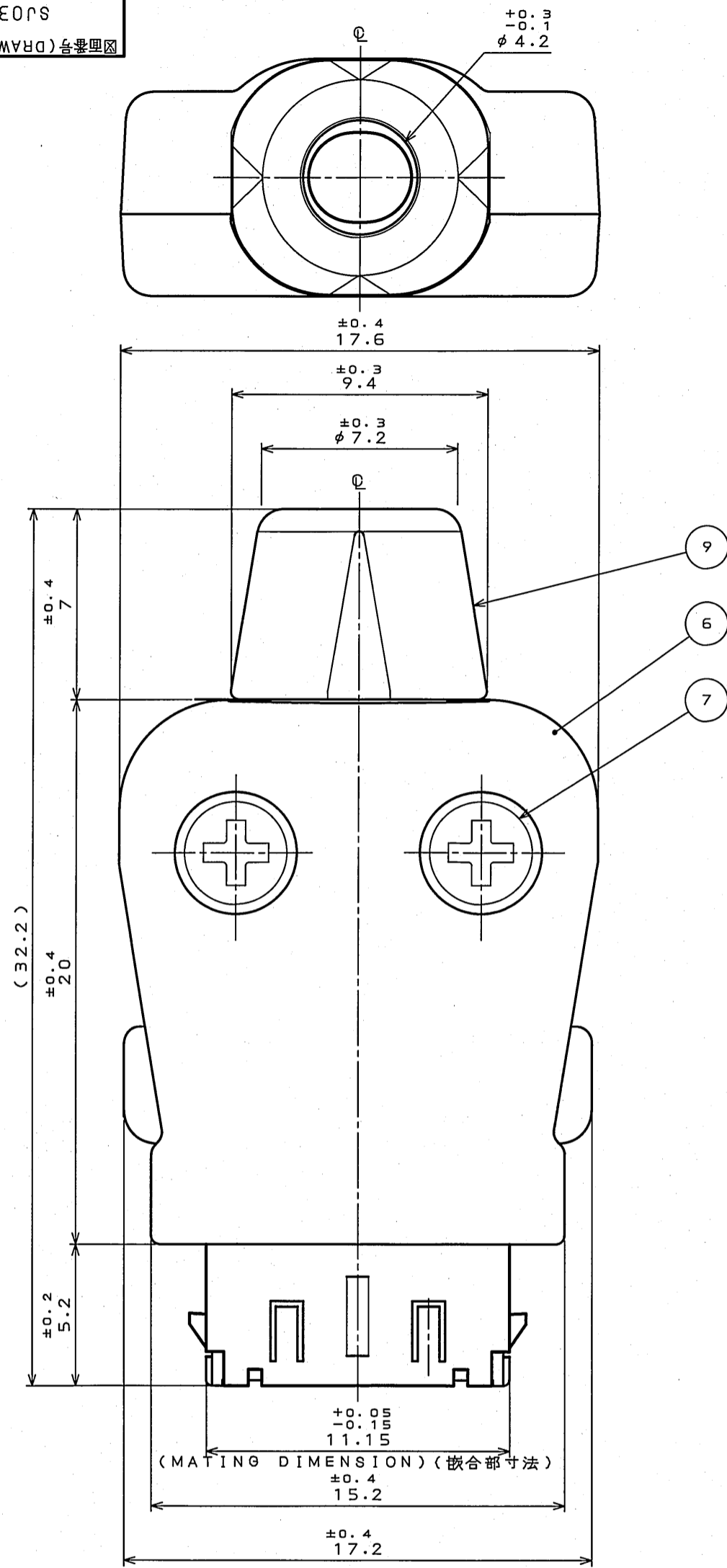
Email & Skype: info@chipsmall.com Web: www.chipsmall.com

Address: A1208, Overseas Decoration Building, #122 Zhenhua RD., Futian, Shenzhen, China



ESJ038453  
(図面番号(DRAWING NO.))

版数 REV.	年月日 DATE	DCN NO.	変更内容 DESCRIPTION	製図 DR.	担当 CHK.	査閲 APPD.	承認 APPD.
2	16.Dec.2004	056414	FINISH CHANGE		Y.TAKA@		Y.KUBOTA
3	29.Dec.2004	056489	FINISH CHANGE		Y.TAKA@		<i>Y. Kubota</i>



NOTE1. OUTER DIAMETER OF THE APPLICABLE CABLE:  $\phi 4 \pm 0.2$   
 △ 2. THE CONNECTING AREA IS PLATED WITH GOLD FLASH ( $0.03 \mu\text{m}/\text{min}$ ) OVER Pd-NI ( $0.4 \mu\text{m}/\text{min}$ ) OVER NICKEL ( $1.5 \mu\text{m}/\text{min}$ ).  
 TERMINAL AREA IS PLATED WITH GOLD FLASH ( $0.03 \mu\text{m}/\text{min}$ ) OVER NICKEL ( $1.5 \mu\text{m}/\text{min}$ ).  
 3. THE INSULATOR ASSEMBLED WITH CONTACT IS SUPPLIED. THE OTHER PARTS ARE ATTACHED.  
 注1. 適合ケーブル仕上り外径:  $\phi 4 \pm 0.2$   
 △ 2. 接触部は、ニッケル ( $1.5 \mu\text{m}$ 以上) 上パラジウムニッケル ( $0.4 \mu\text{m}$ 以上) 上金フラッシュメッキ ( $0.03 \mu\text{m}$ 以上) 結線部は、ニッケル ( $1.5 \mu\text{m}$ 以上) 上金フラッシュメッキ ( $0.03 \mu\text{m}$ 以上) である。  
 3. コンタクトは、インシュレータに組込まれた状態で納入される。その他の部品は、バラの状態での納入される。

9	BUSHING	1	PVC	(GRAY)	UL94V-0
8	CLAMP BARREL	1	COPPER ALLOY	NICKEL PLATING	
7	TAPPING SCREW	2	STEEL	TRIVALENT CHROMATE TREATMENT ON ELECTROPLATED ZINC (GOLD, BLACK)	△
6	HOOD B	1	PC	(GRAY)	UL94V-0
5	HOOD A	1	PC	(GRAY)	UL94V-0
4	LOCK SPRING	1	STAINLESS STEEL	NICKEL PLATING	
3	SHELL	1	STAINLESS STEEL	NICKEL PLATING	
2	CONTACT	10	COPPER ALLOY	NOTE2	
1	INSULATOR	1	6-6Ny	(BLACK)	UL94V-0

符号 NO.	名称 DESCRIPTION	個数 QTY.	材料 MATERIAL	仕上 FINISH	備考 REMARKS
仕様書 (SPECIFICATION)		第1版 (ORIGINAL DATE)		尺度 (SCALE)	シリーズ (SERIES)
JACS-3192		3.Mar.2003		5:1	DA1
公差 (GENERAL TOLERANCE)		製図 DR.		名称 (TITLE)	
寸法 (DIMENSION) 角度 (ANGLES)		担当 CHK.		DA1P010M95E	
. ±0.8 ° ±		査閲 APPD.		質量 (MASS)	
.X ±0.4 ° X' ±		承認 APPD.		Y.KUBOTA	
.XX ±0.1 ° XXX ±		承認 APPD.		Y.KUBOTA	
				図面番号 (DRAWING NO.)	
				SJ038453	

DOF-0-213E (03.08)

LEAD FREE この製品は鉛フリーです

JAE CONNECTOR DIV. PROPRIETARY. COPYRIGHT (C) 2003. JAPAN AVIATION ELECTRONICS INDUSTRY, LTD.