



Chipsmall Limited consists of a professional team with an average of over 10 year of expertise in the distribution of electronic components. Based in Hongkong, we have already established firm and mutual-benefit business relationships with customers from,Europe,America and south Asia,supplying obsolete and hard-to-find components to meet their specific needs.

With the principle of “Quality Parts,Customers Priority,Honest Operation,and Considerate Service”,our business mainly focus on the distribution of electronic components. Line cards we deal with include Microchip,ALPS,ROHM,Xilinx,Pulse,ON,Everlight and Freescale. Main products comprise IC,Modules,Potentiometer,IC Socket,Relay,Connector.Our parts cover such applications as commercial,industrial, and automotives areas.

We are looking forward to setting up business relationship with you and hope to provide you with the best service and solution. Let us make a better world for our industry!



Contact us

Tel: +86-755-8981 8866 Fax: +86-755-8427 6832

Email & Skype: info@chipsmall.com Web: www.chipsmall.com

Address: A1208, Overseas Decoration Building, #122 Zhenhua RD., Futian, Shenzhen, China



REFERENCE SPECIFICATIONS

-NFC 93425 (in compliance with HE 507)

PHYSICAL CHARACTERISTICS

- INSULATOR MATERIAL: THERMOPLASTIC UL94V0
- CONTACT MATERIAL: PHOSPHOR BRONZE(SIGNAL CONTACT)
BRASS (POWERS CONTACT)
- ACCESSORIES: BRASS
- SHELLS: STEEL

ELECTRICAL CHARACTERISTICS

- NOMINAL CURRENT: 7.5A (SIGNAL CONTACT)
30A or 40A (POWER CONTACT)
- CONTACT RESISTANCE: <=7.3 m Ohms(SIGNAL and POWER)
- CONTACT/CONTACT : >=1000 V
- CONTACT/GROUND : >=1200 V
- INSULATION RESISTANCE: >=5000 MOhms

ENVIRONMENTAL CHARACTERISTICS

- CLIMATIC CATEGORY: 55/125/21
TEMPERATURE RANGE -55°C TO +125°C
DAMP HEAT STEADY STATE 21 DAYS
SALT SPRAY 48 HOURS

MECHANICAL CHARACTERISTICS

- RETENTION AGAINST TORQUE: - Threaded insert: 0.7 N.m minimum
- Female screw : 0.5 N.m minimum

NOTE RoHS INFORMATION

- The "LF" products meet european union Directives and other country regulations as described in GS-22-008.
- The housing will withstand exposure to 260°C peak temperature for 3.5 seconds in a wave solder application with a 1.6mm minimum thick circuit board. See application notes/procedures if they are available.
- Termination plating spec:
 - Signal contacts: Ni + Gold
 - Power contacts: Ni 1.27µm+Sn 2.5 to 7.5µm,pure bright
- Active area plating spec:
 - Signal and power contacts: Ni + Gold
- Shell plating :2 to 4µm Cu + nickel + 3 to 10µmm Sn,pure bright
- Accessories: Sn pure bright + nickel
- Packaging spec: See GS-14-920

DBL13W3S500G30LF

Series

Shell size: **E A B C D**
(see sheet 3)

Front accessory definition
(see sheet 2)

- blank**:without accessory
- L** :threaded insert M3
- O** :threaded insert UNC 4-40
- V** :female screw UNC 4-40

Layout of contacts (see sheet 3)

Contacts

S :Socket

Termination type

5 Right angle/Europe standard

Plating

- 00** 200 matings/unmatings
- 43** 500 matings/unmatings

PCB accessories definition(see sheet 2)

- A** :without accessory
- H** :Metal brackets+harpoons for PCB 2.40mm
- G** :Metal brackets+harpoons for PCB 1.60mm
- M** :Metal brackets

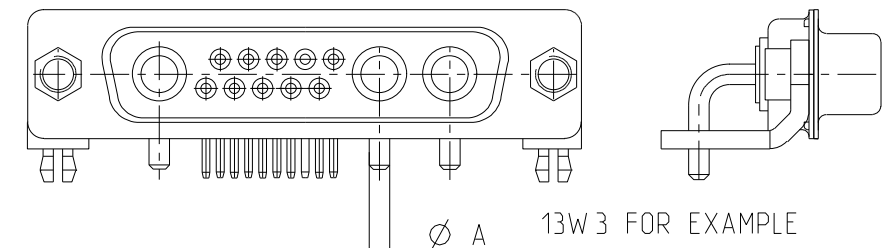
Power contacts

- 00** :Not fitted with power contact (signal contacts always fitted)
- 30** :Fitted with power contacts 30 Amp.
- 40** :Fitted with power contacts 40 Amp.

See note RoHS

TABLE 1:PCB HOLE DIAMETERS

	POWER CONTACTS		ACCESSORIES	SIGNAL CONTACT
30 A	2.00	Ø2.40	Ø3.10	Ø0.9 min
40 A	2.80	Ø3.10		
Max current power	ØA ^{+0.1} ₀	PCB HOLE ±0.1	PCB HOLE ±0.1	PCB HOLE



www.fciconnect.com		surface ISO 1302	tolerance std ISO 406	ISO 1101	projection	mm
		TOLERANCES UNLESS OTHERWISE SPECIFIED			⊕	←
Dr M PESSON	2005-10-11	ANGULAR	0.X	±0.3	size A2	Scale 2:1
Eng P LEGARE	2005-10-11	LINEAR	0.XX	±0.1		
Chr		0° ±2°	0.XXX	±0.05	ECN F10-0060	
Appr		Product family	- Spec ref			
FCI title SUB FEMALE DMW EUROPE		mixed power right angled solder		dwg no C01-8639-2300	Rev. E	
catalog no		CUSTOMER		sheet 1 of 7		

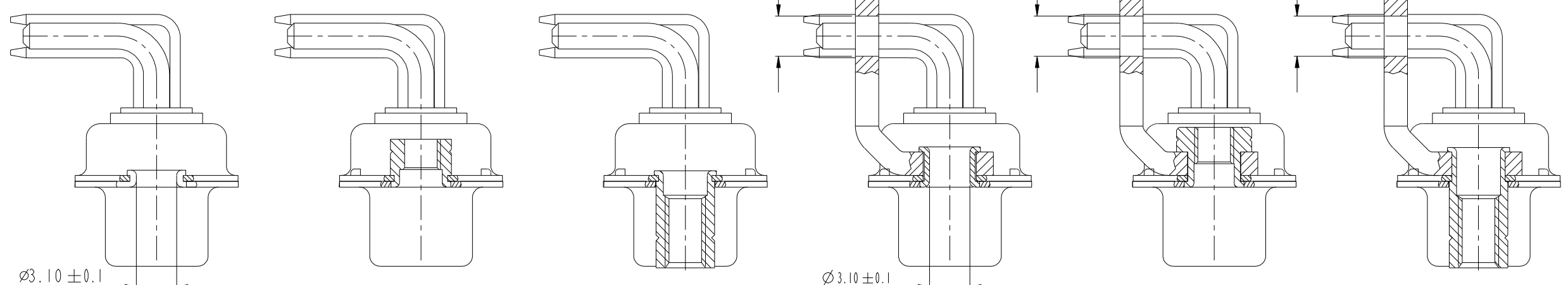
rev	ecn no	dr	date
A	LS05-0101	MPE	2005-10-11
B	LS06-0208	LGO	2006-12-12
C	LS07-0273	MPE	2007/10/31
D	F09-0092	LSA	2009/09/16
E	F10-0060	LSA	2010/06/01
-	-	-	-
-	-	-	-

Copyright FCI.

1 2 3 4 5 6 7 8

A

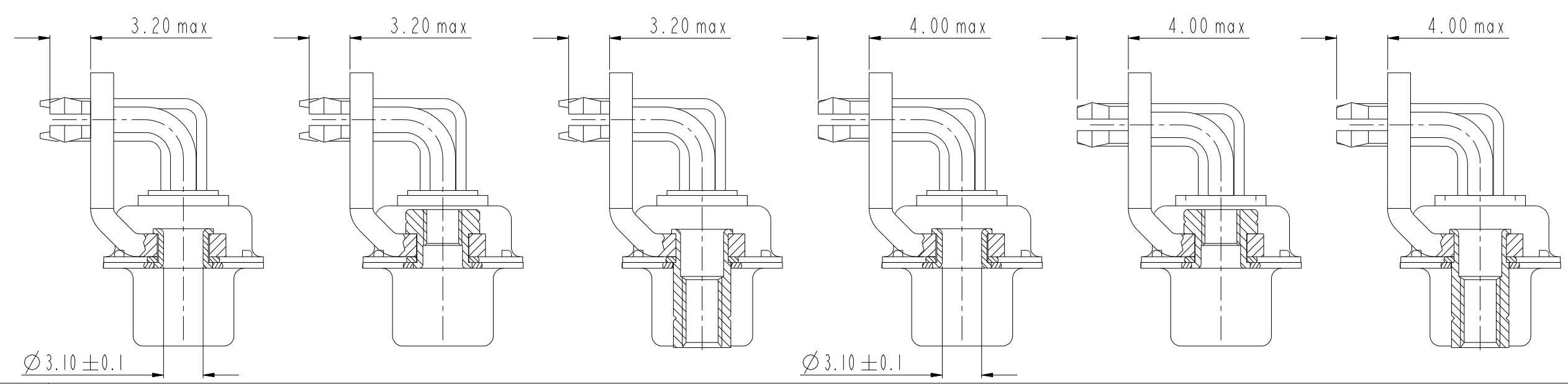
B



FRONT ACCESSORY	Blank Without	L insert M3 O insert UNC 4.40	v insert UNC 4.40	Blank Without	L insert M3 O insert UNC 4.40	v insert UNC 4.40
PCB ACCESSORIES	A Without	A Without	A Without	M Metal brackets	M Metal brackets	M Metal bracket

C

D



FRONT ACCESSORY	Blank Without	L insert M3 O insert UNC 4.40	v insert UNC 4.40	Blank Without	L insert M3 O insert UNC 4.40	v insert UNC 4.40
PCB ACCESSORIES	G Metal brackets + harpoons for PCB 1.60mm	G Metal brackets + harpoons for PCB 1.60mm	G Metal brackets + harpoons for PCB 1.60mm	H Metal brackets + harpoons for PCB 2.40mm	H Metal brackets + harpoons for PCB 2.40mm	H Metal brackets + harpoons for PCB 2.40mm

E

F

Copyright FCI.

www.fciconnect.com		surface - ✓	tolerance std	projection	mm
		ISO 1302	ISO 406 ISO 1101	⊕	↔
		TOLERANCES UNLESS OTHERWISE SPECIFIED		size	Scale
Dr	M PESSON	2005-10-11	ANGULAR	0.X ±0.3	A2 2:1
Eng	P LEGARE	2005-10-11	LINEAR	0.XX ±0.1	
Chr			0° ±2°	0.XXX ±0.05	ECN F10-0060
Appr			Product family	-	Spec ref
FCI		SUB FEMALE DMW EUROPE		dwg no	Rev.
		mixed power right angled solder		C01-8639-2300	E
		catalog no		CUSTOMER	sheet 2 of 7

SCALE: 4

REV C - 2004-03-28

1 2 3 4 5 6 7 8

PART NUMBER	AMPS	MATINGS/ UNMATINGS	FRONT ACCESSORY	PCB ACCESSORIES
D*xWxS500A30LF	30	200	without	without
D*LxWxS500A30LF	30	200	insert M3	without
D*OxWxS500A30LF	30	200	insert UNC 4.40	without
D*VxWxS500A30LF	30	200	female screw UNC 4.40	without
D*xWxS500H30LF	30	200	without	metal bracket+harpoon PCB 2.40mm
D*LxWxS500H30LF	30	200	insert M3	metal bracket+harpoon PCB 2.40mm
D*OxWxS500H30LF	30	200	insert UNC 4.40	metal bracket+harpoon PCB 2.40mm
D*VxWxS500H30LF	30	200	female screw UNC 4.40	metal bracket+harpoon PCB 2.40mm
D*xWxS500G30LF	30	200	without	metal bracket+harpoon PCB 1.60mm
D*LxWxS500G30LF	30	200	insert M3	metal bracket+harpoon PCB 1.60mm
D*OxWxS500G30LF	30	200	insert UNC 4.40	metal bracket+harpoon PCB 1.60mm
D*VxWxS500G30LF	30	200	female screw UNC 4.40	metal bracket+harpoon PCB 1.60mm
D*xWxS500M30LF	30	200	without	metal bracket
D*LxWxS500M30LF	30	200	insert M3	metal bracket
D*OxWxS500M30LF	30	200	insert UNC 4.40	metal bracket
D*VxWxS500M30LF	30	200	female screw UNC 4.40	metal bracket

PART NUMBER	AMPS	MATINGS/ UNMATINGS	FRONT ACCESSORY	PCB ACCESSORIES
D*xWxS500A40LF	40	200	without	without
D*LxWxS500A40LF	40	200	insert M3	without
D*OxWxS500A40LF	40	200	insert UNC 4.40	without
D*VxWxS500A40LF	40	200	female screw UNC 4.40	without
D*xWxS500H40LF	40	200	without	metal bracket+harpoon PCB 2.40mm
D*LxWxS500H40LF	40	200	insert M3	metal bracket+harpoon PCB 2.40mm
D*OxWxS500H40LF	40	200	insert UNC 4.40	metal bracket+harpoon PCB 2.40mm
D*VxWxS500H40LF	40	200	female screw UNC 4.40	metal bracket+harpoon PCB 2.40mm
D*xWxS500G40LF	40	200	without	metal bracket+harpoon PCB 1.60mm
D*LxWxS500G40LF	40	200	insert M3	metal bracket+harpoon PCB 1.60mm
D*OxWxS500G40LF	40	200	insert UNC 4.40	metal bracket+harpoon PCB 1.60mm
D*VxWxS500G40LF	40	200	female screw UNC 4.40	metal bracket+harpoon PCB 1.60mm
D*xWxS500M40LF	40	200	without	metal bracket
D*LxWxS500M40LF	40	200	insert M3	metal bracket
D*OxWxS500M40LF	40	200	insert UNC 4.40	metal bracket
D*VxWxS500M40LF	40	200	female screw UNC 4.40	metal bracket

shell size *
E
A
A
B
B
B
B
C
C
C
D

LAYOUTS
xWx
5W1
11W1
7W2
21W1
17W2
13W3
9W4
25W3
21WA4
27W2
24W7

PART NUMBER	AMPS	MATINGS/ UNMATINGS	FRONT ACCESSORY	PCB ACCESSORIES
D*xWxS543A30LF	30	500	without	without
D*LxWxS543A30LF	30	500	insert M3	without
D*OxWxS543A30LF	30	500	insert UNC 4.40	without
D*VxWxS543A30LF	30	500	female screw UNC 4.40	without
D*xWxS543H30LF	30	500	without	metal bracket+harpoon PCB 2.40mm
D*LxWxS543H30LF	30	500	insert M3	metal bracket+harpoon PCB 2.40mm
D*OxWxS543H30LF	30	500	insert UNC 4.40	metal bracket+harpoon PCB 2.40mm
D*VxWxS543H30LF	30	500	female screw UNC 4.40	metal bracket+harpoon PCB 2.40mm
D*xWxS543G30LF	30	500	without	metal bracket+harpoon PCB 1.60mm
D*LxWxS543G30LF	30	500	insert M3	metal bracket+harpoon PCB 1.60mm
D*OxWxS543G30LF	30	500	insert UNC 4.40	metal bracket+harpoon PCB 1.60mm
D*VxWxS543G30LF	30	500	female screw UNC 4.40	metal bracket+harpoon PCB 1.60mm
D*xWxS543M30LF	30	500	without	metal bracket
D*LxWxS543M30LF	30	500	insert M3	metal bracket
D*OxWxS543M30LF	30	500	insert UNC 4.40	metal bracket
D*VxWxS543M30LF	30	500	female screw UNC 4.40	metal bracket

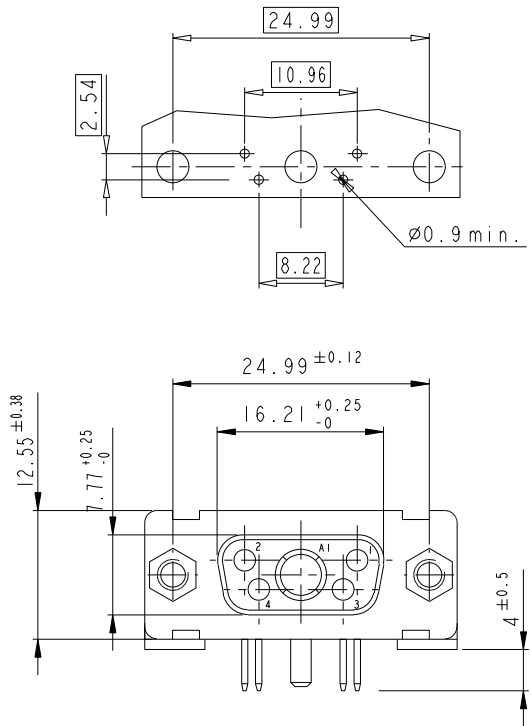
PART NUMBER	AMPS	MATINGS/ UNMATINGS	FRONT ACCESSORY	PCB ACCESSORIES
D*xWxS543A40LF	40	500	without	without
D*LxWxS543A40LF	40	500	insert M3	without
D*OxWxS543A40LF	40	500	insert UNC 4.40	without
D*VxWxS543A40LF	40	500	female screw UNC 4.40	without
D*xWxS543H40LF	40	500	without	metal bracket+harpoon PCB 2.40mm
D*LxWxS543H40LF	40	500	insert M3	metal bracket+harpoon PCB 2.40mm
D*OxWxS543H40LF	40	500	insert UNC 4.40	metal bracket+harpoon PCB 2.40mm
D*VxWxS543H40LF	40	500	female screw UNC 4.40	metal bracket+harpoon PCB 2.40mm
D*xWxS543G40LF	40	500	without	metal bracket+harpoon PCB 1.60mm
D*LxWxS543G40LF	40	500	insert M3	metal bracket+harpoon PCB 1.60mm
D*OxWxS543G40LF	40	500	insert UNC 4.40	metal bracket+harpoon PCB 1.60mm
D*VxWxS543G40LF	40	500	female screw UNC 4.40	metal bracket+harpoon PCB 1.60mm
D*xWxS543M40LF	40	500	without	metal bracket
D*LxWxS543M40LF	40	500	insert M3	metal bracket
D*OxWxS543M40LF	40	500	insert UNC 4.40	metal bracket
D*VxWxS543M40LF	40	500	female screw UNC 4.40	metal bracket

Copyright FCI.
FCI

www.fciconnect.com		surface - ✓ ISO 1302	tolerance std ISO 406 ISO 1101 TOLERANCES UNLESS OTHERWISE SPECIFIED	projection mm
Dr	M PESSON	2005-10-11	ANGULAR	0.X ±0.3
Eng	P LEGARE	2005-10-11	LINEAR	0.XX ±0.1
Chr			0° ±2°	0.XXX ±0.05
Appr			Product family	ECN F10-0060
FCI		SUB FEMALE DMW EUROPE		dwg no C01-8639-2300
		mixed power right angled solder		Rev. E
		catalog no	CUSTOMER	sheet 3 of 7

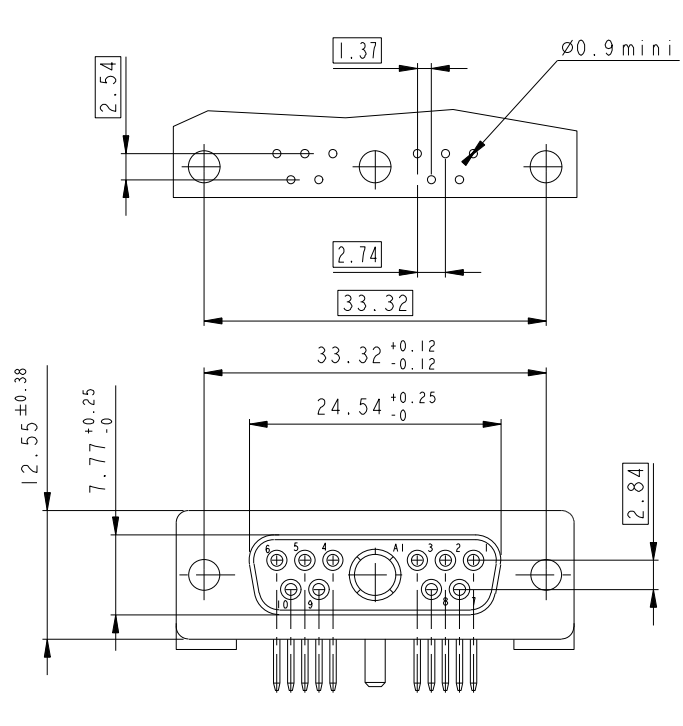
5W1

LAYOUT AND CONNECTOR DIMENSIONS
For PCB hole diameters see table I sheet I



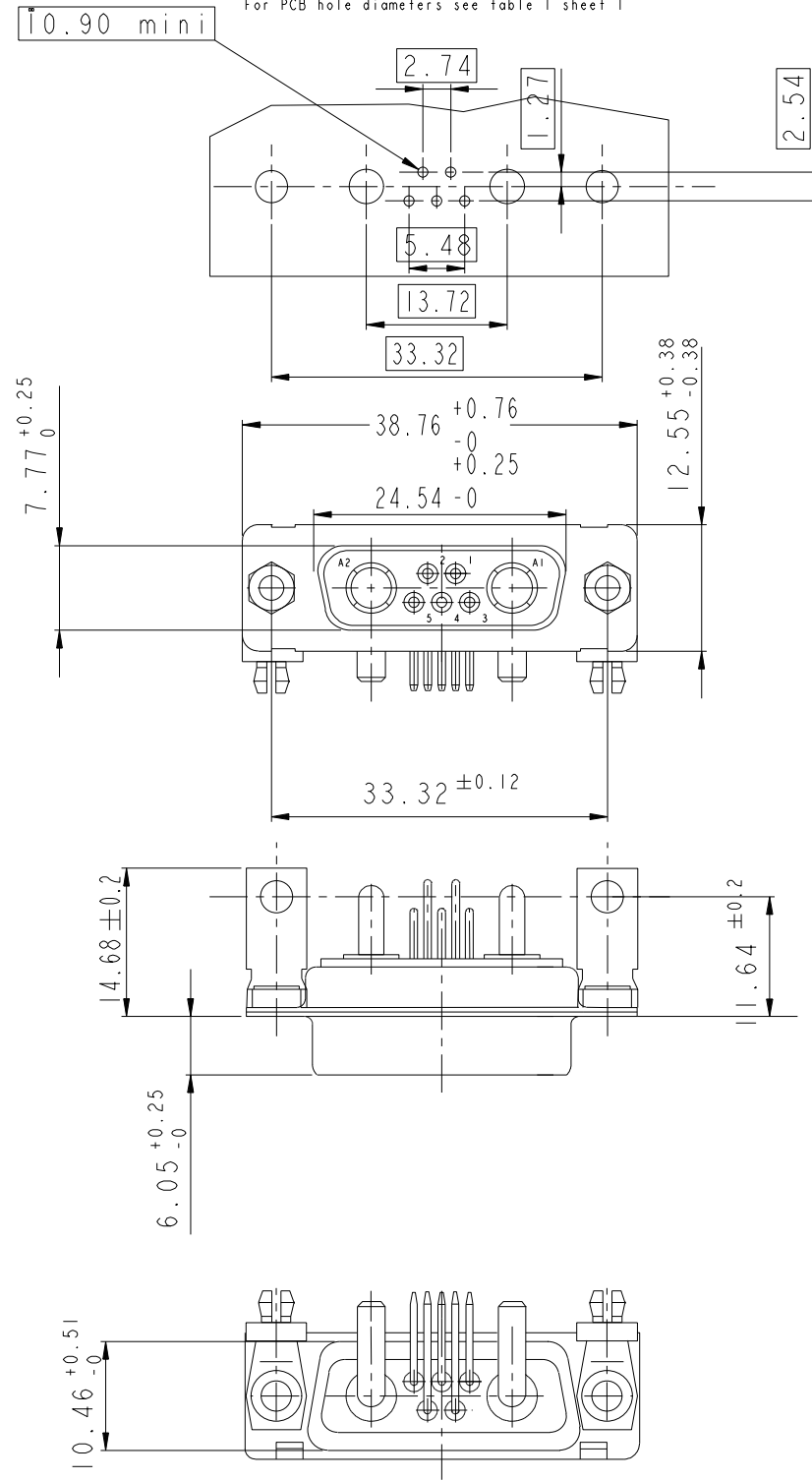
11W1

LAYOUT AND CONNECTOR DIMENSIONS
For PCB hole diameters see table I sheet I

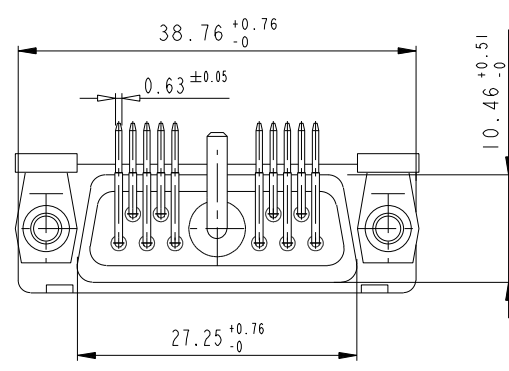
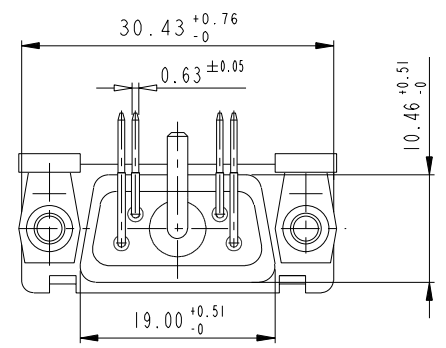
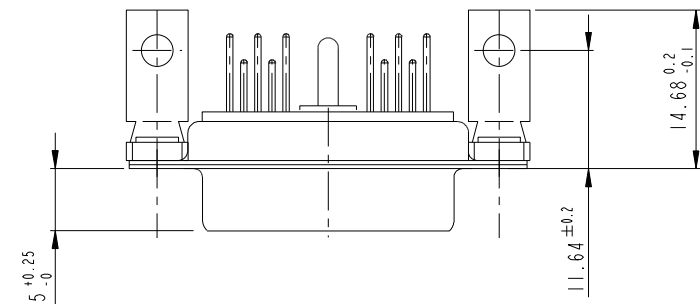
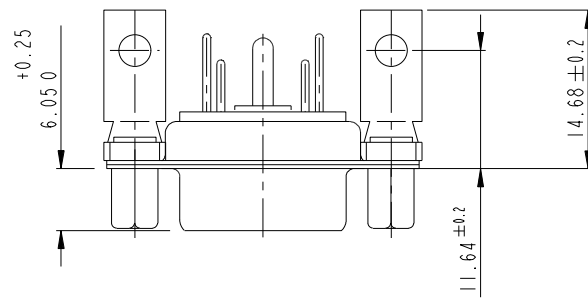
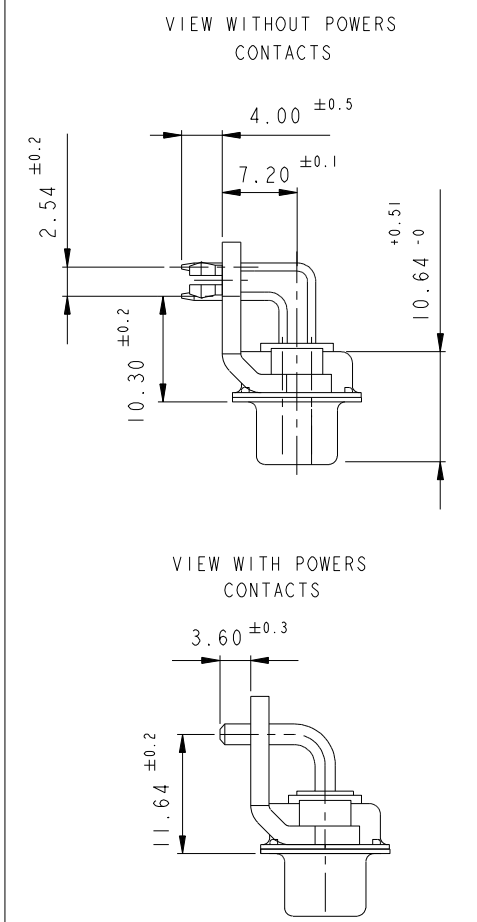


7W2

LAYOUT AND CONNECTOR DIMENSIONS
For PCB hole diameters see table I sheet I



SIDE VIEW FOR ALL LAYOUTS
(except size D)

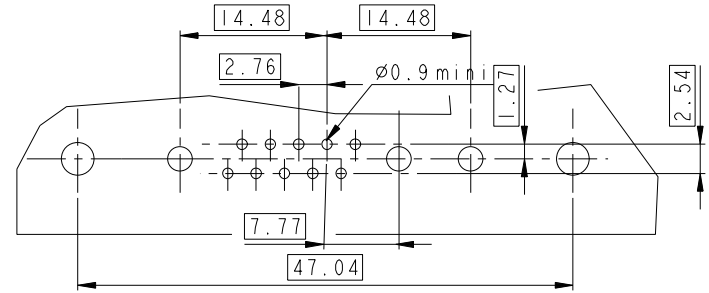


Copyright FCI

www.fciconnect.com		surface <input checked="" type="checkbox"/> ISO 1302	tolerance std ISO 406	projection	mm
		TOLERANCES UNLESS OTHERWISE SPECIFIED			
Dr	M PESSON	2005-10-11	ANGULAR	0.X	±0.3
Eng	P LEGARE	2005-10-11	LINEAR	0.XX	±0.1
Chr			0° ±2°	0.XXX	±0.05
Appr			Product family	- Spec ref	
		SUB FEMALE DMW EUROPE		Rev. E	
		mixed power right angled solder		dwg no C01-8639-2300	
		catalog no		CUSTOMER sheet 4 of 7	

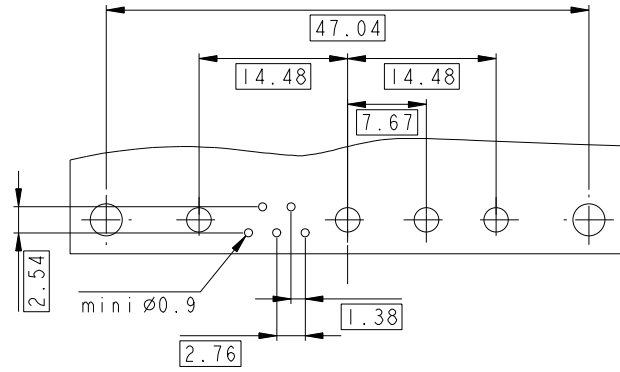
13W3

LAYOUT AND CONNECTOR DIMENSIONS
For PCB hole diameters see table I sheet I



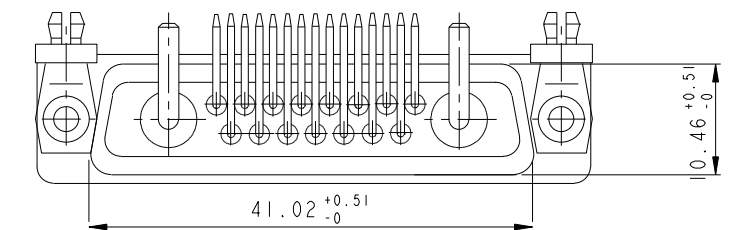
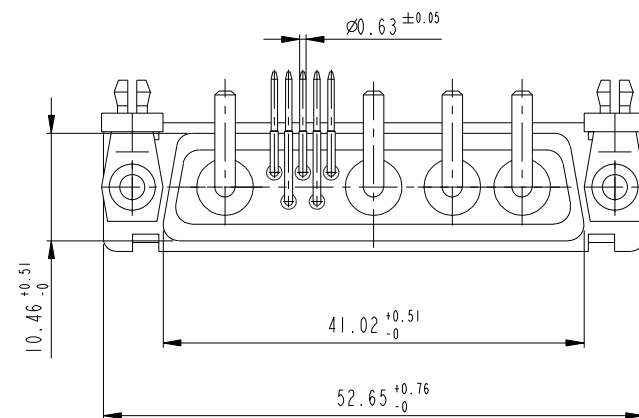
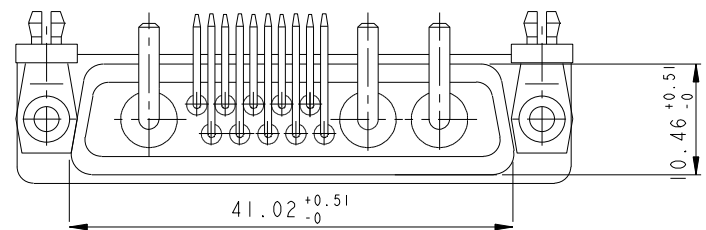
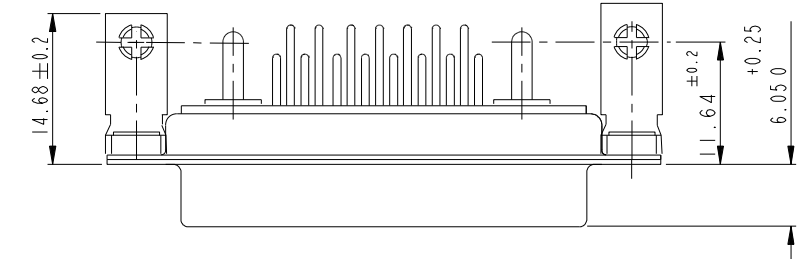
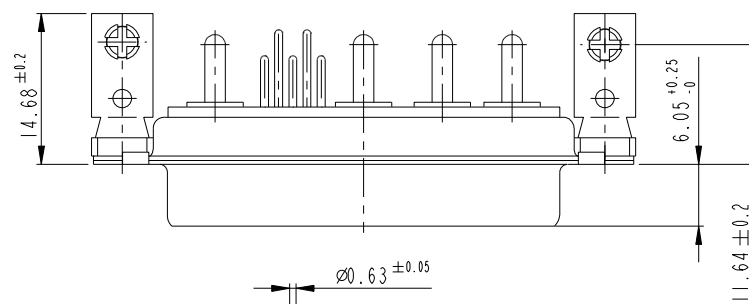
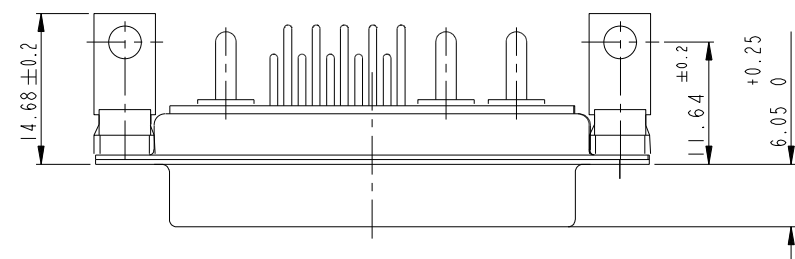
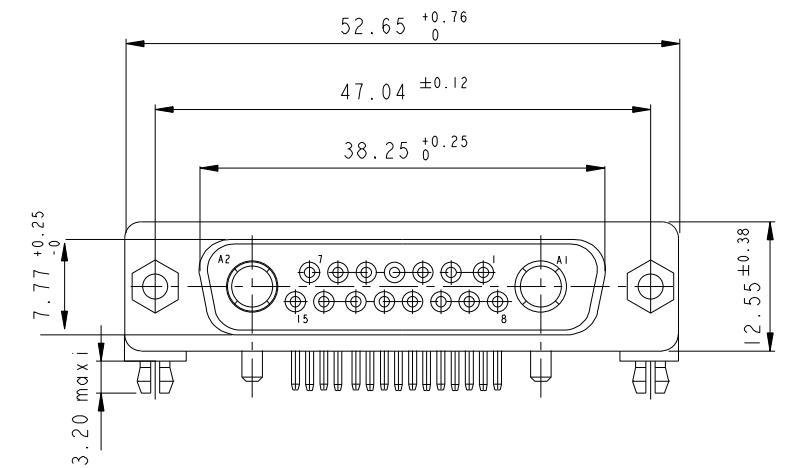
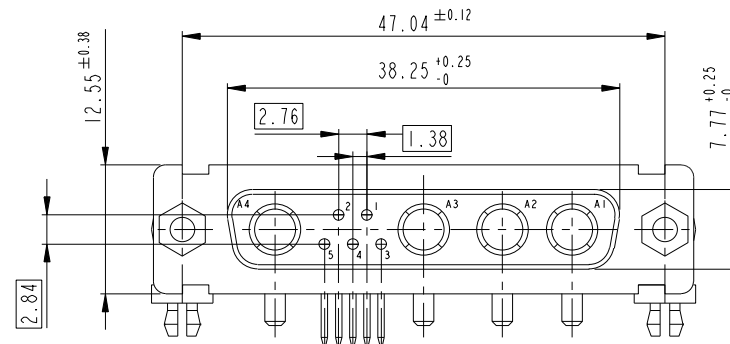
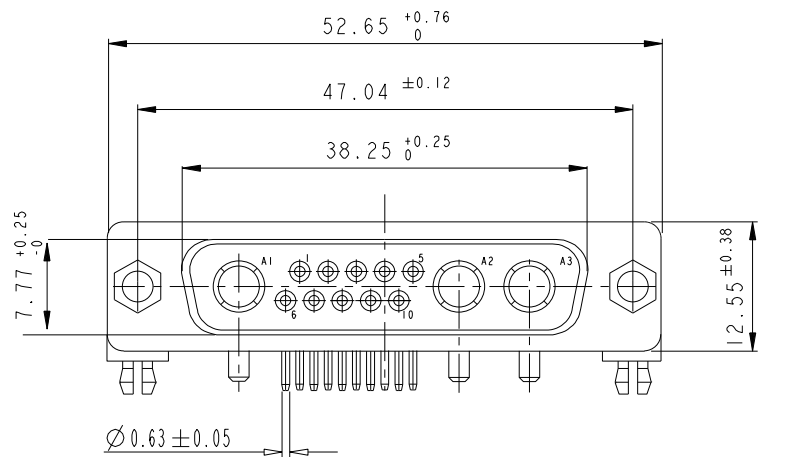
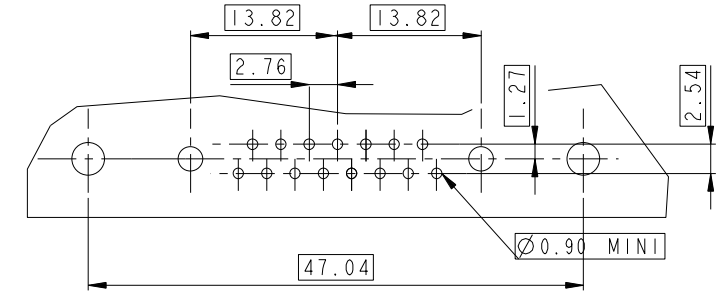
9W4

LAYOUT AND CONNECTOR DIMENSIONS
For PCB hole diameters see table I sheet I



17W2

LAYOUT AND CONNECTOR DIMENSIONS
For PCB hole diameters see table I sheet I



Floating signal contacts



Copyright FCI.

www.fciconnect.com		surface - ✓	tolerance std ISO 1302	ISO 406	ISO 1101	projection	mm
		TOLERANCES UNLESS OTHERWISE SPECIFIED					
Dr	M PESSON	2005-10-11	ANGULAR	0.X	±0.3	size	Scale
Eng	P LEGARE	2005-10-11	LINEAR	0.XX	±0.1	A2	2:1
Chr			0° ±2°	0.XXX	±0.05	ECN	F10-0060
Appr			Product family			Spec ref	
		SUB FEMALE DMW EUROPE			dwg no	C01-8639-2300	
		mixed power right angled solder				Rev.	E
		catalog no			CUSTOMER	sheet 5 of 7	

REV C - 2004-03-28

1

2

3

4

5

6

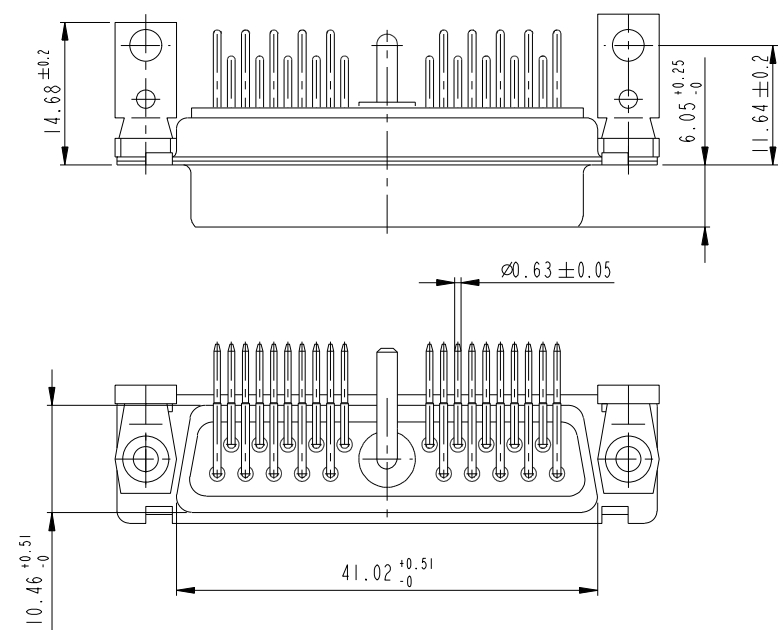
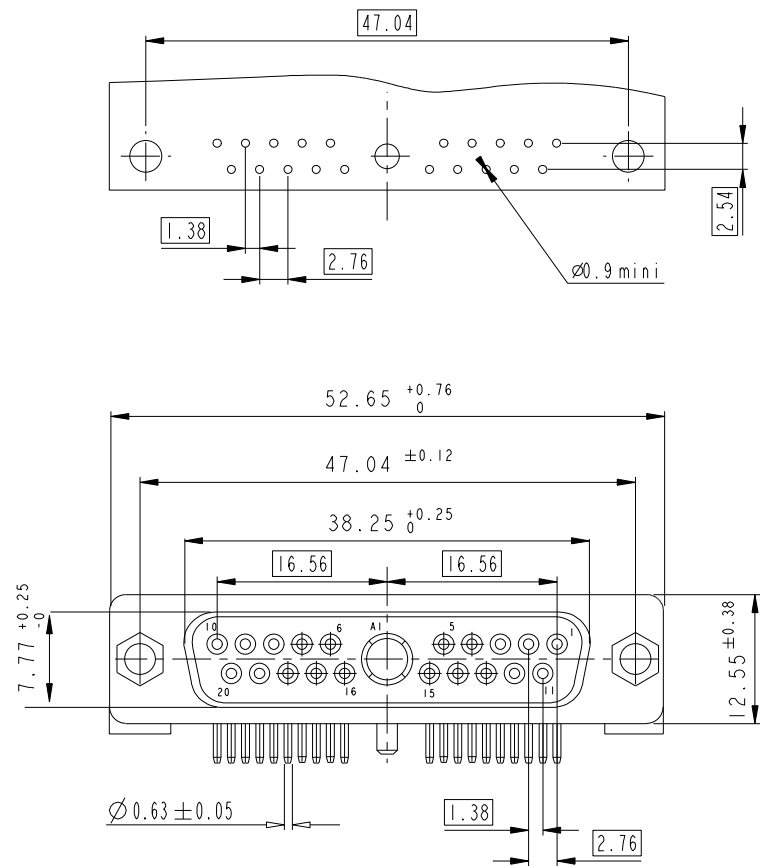
7

8

21W1

LAYOUT AND CONNECTOR DIMENSIONS

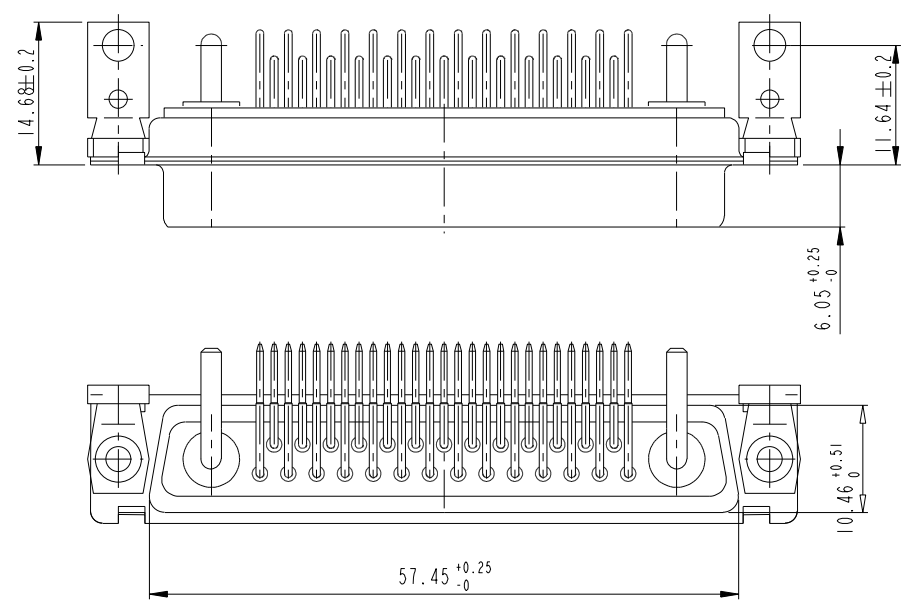
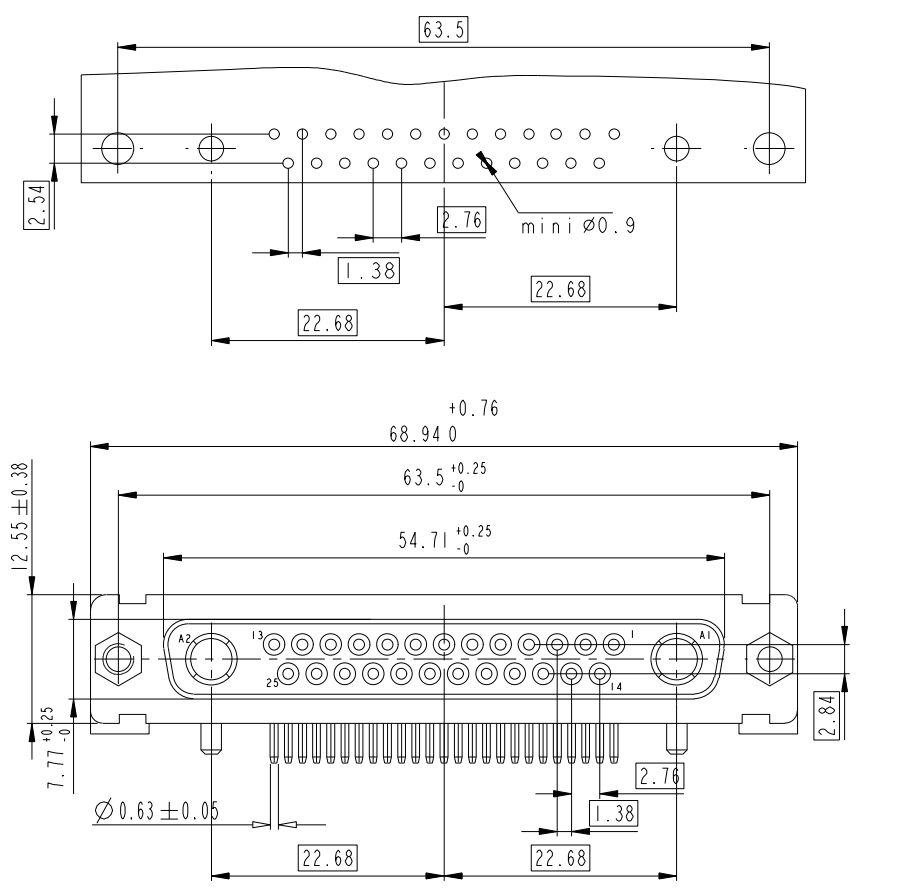
For PCB hole diameters see table I sheet I



27W2

LAYOUT AND CONNECTOR DIMENSIONS

For PCB hole diameters see table I sheet I



Copyright FCI.

www.fciconnect.com		surface	tolerance std	projection	mm
		ISO 1302	ISO 406 ISO 1101		
		TOLERANCES UNLESS OTHERWISE SPECIFIED			
Dr	M PESSON	2005-10-11	ANGULAR	0.X	±0.3
Eng	P LEGARE	2005-10-11	LINEAR	0.XX	±0.1
Chr			0° ±2°	0.XXX	±0.05
Appr			Product family	-	Spec ref
		SUB FEMALE DMW EUROPE		dwg no	C01-8639-2300
		mixed power right angled solder		Rev.	E
		catalog no	-	CUSTOMER	sheet 6 of 7

REV C - 2004-03-28

