



Chipsmall Limited consists of a professional team with an average of over 10 year of expertise in the distribution of electronic components. Based in Hongkong, we have already established firm and mutual-benefit business relationships with customers from,Europe,America and south Asia,supplying obsolete and hard-to-find components to meet their specific needs.

With the principle of “Quality Parts,Customers Priority,Honest Operation,and Considerate Service”,our business mainly focus on the distribution of electronic components. Line cards we deal with include Microchip,ALPS,ROHM,Xilinx,Pulse,ON,Everlight and Freescale. Main products comprise IC,Modules,Potentiometer,IC Socket,Relay,Connector.Our parts cover such applications as commercial,industrial, and automotives areas.

We are looking forward to setting up business relationship with you and hope to provide you with the best service and solution. Let us make a better world for our industry!



## Contact us

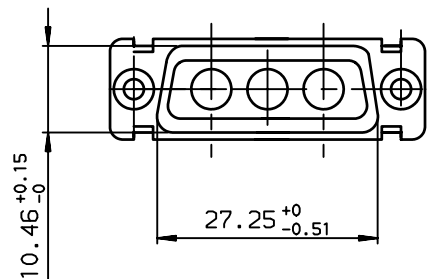
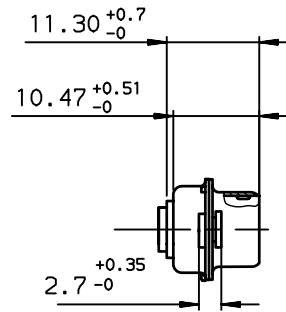
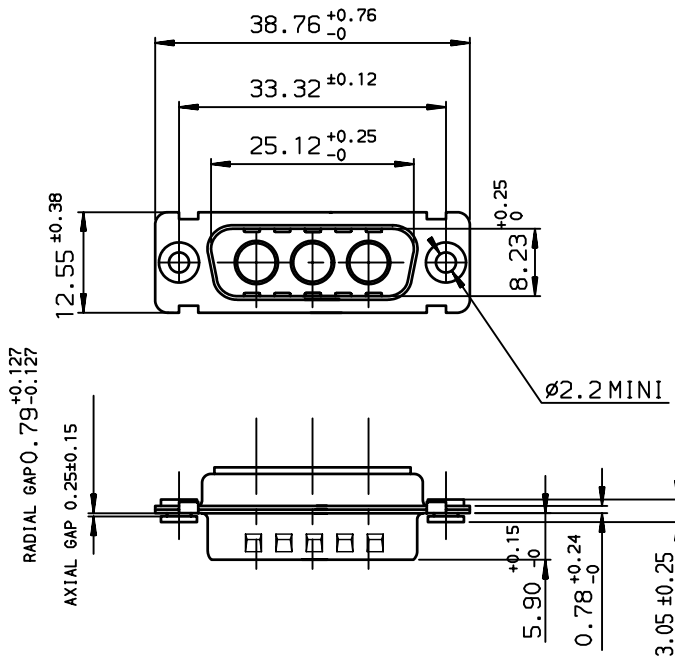
Tel: +86-755-8981 8866 Fax: +86-755-8427 6832

Email & Skype: info@chipsmall.com Web: www.chipsmall.com

Address: A1208, Overseas Decoration Building, #122 Zhenhua RD., Futian, Shenzhen, China

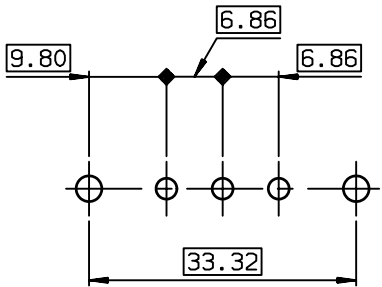


GENERAL CHARACTERISTICS : SEE DRAWING C01-8639-0001



DAF3W3PA00  
 PART NUMBER

LAYOUT DIMENSIONS (after plating)  
 CONNECTOR SIDE VIEW



European Views

www.fciconnect.com		surface ISO 1302 <input checked="" type="checkbox"/>	tolerance std ISO 406 ISO 1101	projection 	mm
		TOLERANCES UNLESS OTHERWISE SPECIFIED			
Dr	JARRY	1996/05/02	0.X	$\pm 0.1$	size
Eng	JARRY	1996/05/02	0.XX	$\pm 0.1$	A3
Chr	LEGARE	1996/05/02	0.XX*	$\pm 2^*$	Scale
Appr	LEGARE	1996/05/02	0.XXX	$\pm 0.1$	1.5
Product family			D-SUB		ECN LS07-0273
Spec ref			-		
		title PIN CONNECTOR FOR POWERS CONTACTS		dwg no C01-8639-0482	Rev. D
catalog no		-		CUSTOMER	sheet 1 of 1

rev	ecn no	dr	date
B	-	BAR	2003/10/20
C	LS06-0097	LGO	2006/07/28
D	LS07-0273	MPE	2007/10/30
-	-	-	-
-	-	-	-
-	-	-	-



Copyright FCI.