



Chipsmall Limited consists of a professional team with an average of over 10 year of expertise in the distribution of electronic components. Based in Hongkong, we have already established firm and mutual-benefit business relationships with customers from,Europe,America and south Asia,supplying obsolete and hard-to-find components to meet their specific needs.

With the principle of “Quality Parts,Customers Priority,Honest Operation,and Considerate Service”,our business mainly focus on the distribution of electronic components. Line cards we deal with include Microchip,ALPS,ROHM,Xilinx,Pulse,ON,Everlight and Freescale. Main products comprise IC,Modules,Potentiometer,IC Socket,Relay,Connector.Our parts cover such applications as commercial,industrial, and automotives areas.

We are looking forward to setting up business relationship with you and hope to provide you with the best service and solution. Let us make a better world for our industry!



Contact us

Tel: +86-755-8981 8866 Fax: +86-755-8427 6832

Email & Skype: info@chipsmall.com Web: www.chipsmall.com

Address: A1208, Overseas Decoration Building, #122 Zhenhua RD., Futian, Shenzhen, China



A

B

C

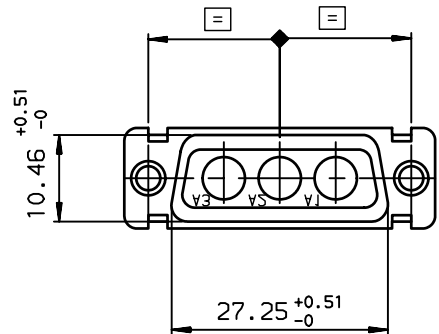
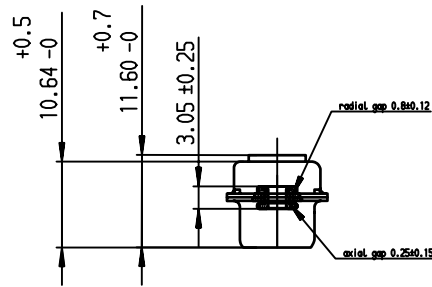
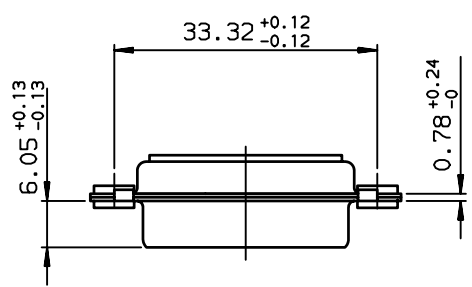
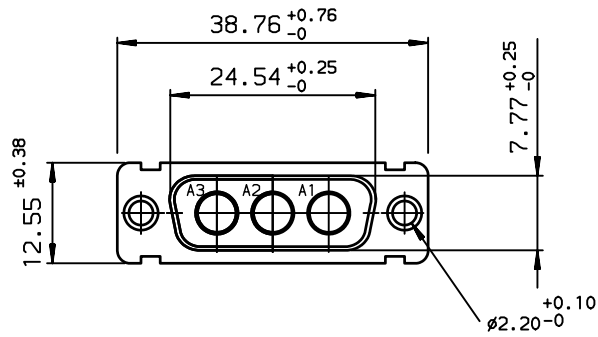
D

A

B

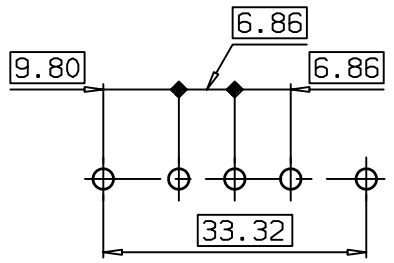
C

D



PART NUMBER : DAF3W3SA00LF

LAYOUT DIMENSIONS (after plating)
CONNECTOR SIDE VIEW



GENERAL CHARACTERISTICS AND ROHS INFORMATIONS:
SEE DRAWING C01-8639-0001

European Views

www.fciconnect.com		surface ISO 1302 ✓	tolerance std ISO 406 ISO 1101	projection mm
		TOLERANCES UNLESS OTHERWISE SPECIFIED		mm
Dr	PESSON	2005/11/22	0.X ±0.1	size A3
Eng	PESSON	2005/11/22	0.XX ±0.1	Scale 1.5
Chr	LEGARE	2005/11/22	0.XX* ±2*	ECN LS07-0273
Appr	LEGARE	2005/11/22	0.XXX ±0.1	Product family D-SUB
		Spec ref -		
SOCKET CONNECTORS SUB D FOR POWERS CONTACTS .			title C01-8639-2296	Rev. C
catalog no			CUSTOMER	sheet 1 of 1

rev	ecn no	dr	date
A	LS05-0106	MPE	2005/11/22
B	LS06-0095	LGO	2006/06/17
C	LS07-0273	MPE	2007/10/30
-	-	-	-
-	-	-	-
-	-	-	-

Copyright FCJ.