



Chipsmall Limited consists of a professional team with an average of over 10 year of expertise in the distribution of electronic components. Based in Hongkong, we have already established firm and mutual-benefit business relationships with customers from,Europe,America and south Asia,supplying obsolete and hard-to-find components to meet their specific needs.

With the principle of "Quality Parts,Customers Priority,Honest Operation,and Considerate Service",our business mainly focus on the distribution of electronic components. Line cards we deal with include Microchip,ALPS,ROHM,Xilinx,Pulse,ON,Everlight and Freescale. Main products comprise IC,Modules,Potentiometer,IC Socket,Relay,Connector.Our parts cover such applications as commercial,industrial, and automotives areas.

We are looking forward to setting up business relationship with you and hope to provide you with the best service and solution. Let us make a better world for our industry!



Contact us

Tel: +86-755-8981 8866 Fax: +86-755-8427 6832

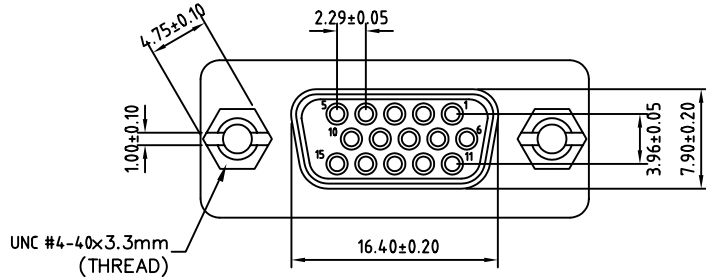
Email & Skype: info@chipsmall.com Web: www.chipsmall.com

Address: A1208, Overseas Decoration Building, #122 Zhenhua RD., Futian, Shenzhen, China



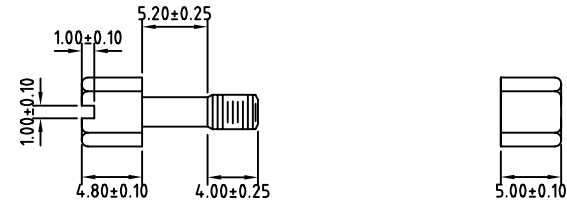
8 7 6 5 4 3 2 1

used for:



UNC #4-40 HEX Screw

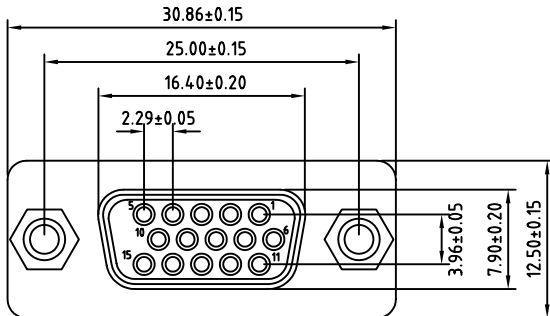
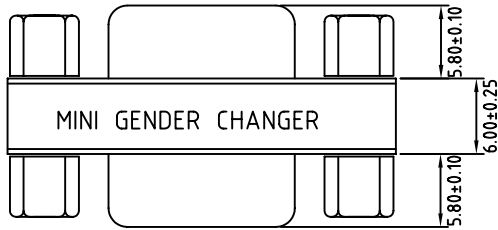
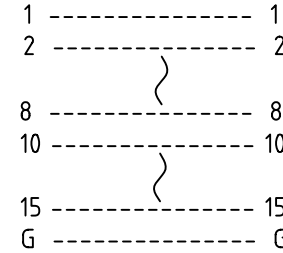
UNC #4-40 HEX Nut



HD 15 F/F GENDER CHANGER PIN OUT

15P Female

15P Female



SPECIFICATIONS:

Material and Finish:

Insulator: PBT, UL94 V-0 Rated

Contacts: Brass, Gold over Nickel Plated

Shell: Steel, Tin Plated

UNC #4-40 HEX Screw: Brass, Nickel Plated

UNC #4-40 HEX Nut: Brass, Nickel Plated

Electrical:

Current Rating: 3 A Max.

Insulation Resistance: 1000 Mohms Min. @ 500 VDC

Dielectric Withstanding Voltage: 1000 VAC / 1 Minute

Operating Temperature: -55°C To +105°C



THIS DRAWING MAY NOT BE COPIED OR REPRODUCED IN ANY WAY, AND MAY NOT BE PASSED ON TO A THIRD PARTY WITHOUT WRITTEN PERMISSION. OWNERSHIP AND COPYRIGHT OF CONEC CORPORATION DO NOT ALTER CAD DRAWING BY HAND	tolerance unless otherwise specified tolerance shall be as follow			finish		Dim. in mm	scale:		
	Decimal:	x	±0.20	date			material: SPECIFICATIONS		
	.xx	±0.15	Angles:		name	title: HD 15p Female/Female Gender Changer			
					2007	RoHS Compliant			
					draw. June 28	Vincent Ke	drawing no.: AutoCAD 2005		DIN A3
					appd. June 28	J. Chaudry	drawing no.: 16K1A1655		sheet 1/1
					norm		drawing no.: 16K1A1655		sheet 1/1
					d-old		drawing no.: 16K1A1655		sheet 1/1
	a	origin					drawing no.: 16K1A1655		sheet 1/1
	rev.	description	date	name			drawing no.: 16K1A1655		sheet 1/1
						part no.: DAH1SSAAX01A			

8 7 6 5 4 3 2 1