



Chipsmall Limited consists of a professional team with an average of over 10 year of expertise in the distribution of electronic components. Based in Hongkong, we have already established firm and mutual-benefit business relationships with customers from,Europe,America and south Asia,supplying obsolete and hard-to-find components to meet their specific needs.

With the principle of “Quality Parts,Customers Priority,Honest Operation,and Considerate Service”,our business mainly focus on the distribution of electronic components. Line cards we deal with include Microchip,ALPS,ROHM,Xilinx,Pulse,ON,Everlight and Freescale. Main products comprise IC,Modules,Potentiometer,IC Socket,Relay,Connector.Our parts cover such applications as commercial,industrial, and automotives areas.

We are looking forward to setting up business relationship with you and hope to provide you with the best service and solution. Let us make a better world for our industry!



Contact us

Tel: +86-755-8981 8866 Fax: +86-755-8427 6832

Email & Skype: info@chipsmall.com Web: www.chipsmall.com

Address: A1208, Overseas Decoration Building, #122 Zhenhua RD., Futian, Shenzhen, China



TOPSwitch-GX Family

Extended Power, Design Flexible,
EcoSmart[®], Integrated Off-line Switcher IC



FEBRUARY 2006 UPDATE



Applications: Charger, DVD, Set-Top Box, PC Standby, Broadband Modem, Notebook Adapter, LCD Monitor.

PRODUCT HIGHLIGHTS

- Extended power range for higher power applications
- No heatsink required up to 34 W using P package
- Tight temperature and absolute tolerance on critical parameters
- Integrates high-voltage power MOSFET, PWM control, fault protection, and other control circuitry onto a monolithic IC
- TO-220/262/263, DIP-8 & SMD-8 packages

FEATURES & BENEFITS

LOW SYSTEM COST, HIGH DESIGN FLEXIBILITY

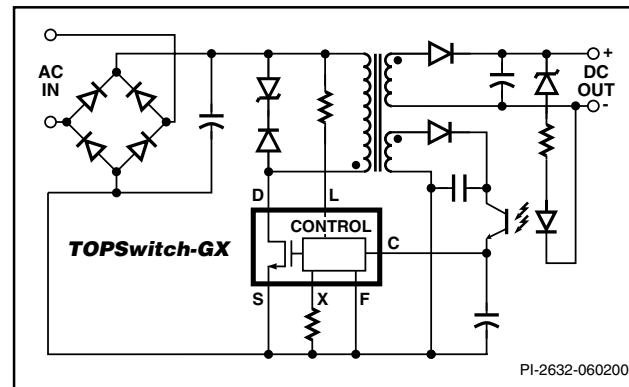
- Fully integrated soft-start for minimum stress/overshoot
- Externally programmable accurate current limit
- Wider duty cycle for more power, smaller input capacitor
- Separate line sense & current limit pins on Y/R/F packages
- Line under-voltage (UV) detection for no turn-off glitches
- Line overvoltage (OV) shutdown extends line surge limit
- Line feed-forward with maximum duty cycle (DC_{MAX}) reduction rejects ripple and limits DC_{MAX} at high line
- 132 kHz frequency reduces transformer/power supply size

EcoSmart[®] - ENERGY EFFICIENCY

- Extremely low consumption in remote OFF mode (80 mW @ 110 VAC, 160 mW @ 230 VAC)
- Frequency lowered with load for high standby efficiency
- Allows shutdown/wake-up via LAN/input port



TYPICAL FLYBACK APPLICATION

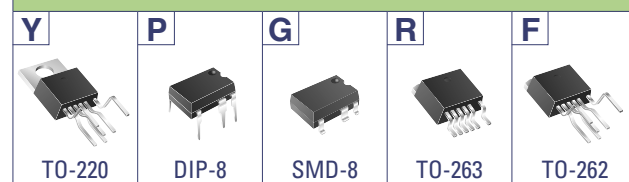


PRODUCT FAMILY

PRODUCT	230 VAC $\pm 15\%$		85-265 VAC	
	Adapter	Open Frame	Adapter	Open Frame
TOP242 P or G	9 W	15 W	6.5 W	10 W
TOP242 R	21 W	22 W	11 W	14 W
TOP242 Y or F	10 W	22 W	7 W	14 W
TOP243 P or G	13 W	25 W	9 W	15 W
TOP243 R	29 W	45 W	17 W	23 W
TOP243 Y or F	20 W	45 W	15 W	30 W
TOP244 P or G	16 W	28 W	11 W	20 W
TOP244 R	34 W	50 W	20 W	28 W
TOP244 Y or F	30 W	65 W	20 W	45 W
TOP245 P or G	19 W	30 W	13 W	22 W
TOP245 R	37 W	57 W	23 W	33 W
TOP245 Y or F	40 W	85 W	26 W	60 W
TOP246 P or G	21 W	34 W	15 W	26 W
TOP246 R	40 W	64 W	26 W	38 W
TOP246 Y or F	60 W	125 W	40 W	90 W
TOP247 R	42 W	70 W	28 W	43 W
TOP247 Y or F	85 W	165 W	55 W	125 W
TOP248 R	43 W	75 W	30 W	48 W
TOP248 Y or F	105 W	205 W	70 W	155 W
TOP249 R	44 W	79 W	31 W	53 W
TOP249 Y or F	120 W	250 W	80 W	180 W
TOP250 R	45 W	82 W	32 W	55 W
TOP250 Y or F	135 W	290 W	90 W	210 W

See Data Sheet for Additional Notes and Conditions

PACKAGE OPTIONS



TOPSwitch-GX[®] Family Design Tools



POWER SUPPLY DESIGN SOFTWARE

With **PI Expert™**, you're only "mouse-clicks" away from determining the key components in your next switching power supply design, including the best Power Integrations power IC and design details for the transformer! It's fast & easy...and best of all, **FREE!**

DESIGN ACCELERATOR KITS

DAKs include a working prototype power supply, sample devices, unpopulated pcb, data sheet, comprehensive engineering report & other related documentation.

DAK-12	145 W, PC Main Power Supply
DAK-31	180 W, PC Main Power Supply
DAK-32	20 W, Universal Input, DVD Supply, No Heatsink
DAK-33	45 W, 12 V LCD Power Supply
DAK-34	30 W, 12 V Universal Input Power Supply



TOPSwitch-GX PRODUCT & DESIGN COLLATERAL*

Data Sheet	TOP242-250	TOPSwitch-GX Family Data Sheet
Application Notes	AN-29	TOPSwitch-GX Flyback Quick Selection Curves
	AN-30	TOPSwitch-GX Forward Design Methodology
	AN-32	TOPSwitch-GX Flyback Design Methodology
Design Ideas	DI-12	Application: Lead Acid Battery Charger Design (16 W, Universal Input)
	DI-16	Application: Set-top Box (57 W, 230 VAC Input)
	DI-17	Application: PC Standby (17 W)
	DI-20	Application: PC Main ATX (145 W)
	DI-21	Application: LCD Monitor Adapter (45 W, Universal Input)
	DI-22	Application: Laptop Adapter (70 W, 19 V, Universal Input)
	DI-23	Application: High Speed Modem (10 W, Universal Input)
	DI-26	Application: DVB-T (7 W, 230 VAC Input)
	DI-30	Application: PC Main SFX (180 W)
	DI-35	Application: Audio Amplifier w/ No Heatsink (16 W - 35 W Peak, Universal Input)
	DI-39	Application: DVD (13 W, Universal Input)
	DI-41	Application: Set-top Box (43 W, 100/115 VAC Input)
	DI-43	Application: Medium Power AC-DC Power Supply (30 W, Universal Input)
	DI-55	Application: DVD w/ No Heatsink (20 W, Universal Input)
DI-66	Application: LCD Monitor (45 W, 90 - 265 VAC Input)	
DI-67	Application: LED Arrays (17.6 W, 108 - 132 VAC, 60 Hz Input)	

* Downloadable from www.powerint.com

Design Idea DI-55

TOPSwitch-GX[®] 20 W (25 W peak) DVD Supply



Application	Device	Power Output	Input Voltage	Output Voltage	Topology
DVD	TOP245P	20 W (25 W pk)	85-265 VAC	3.3 V / 5 V / 12 V / -24 V	Flyback

Design Highlights

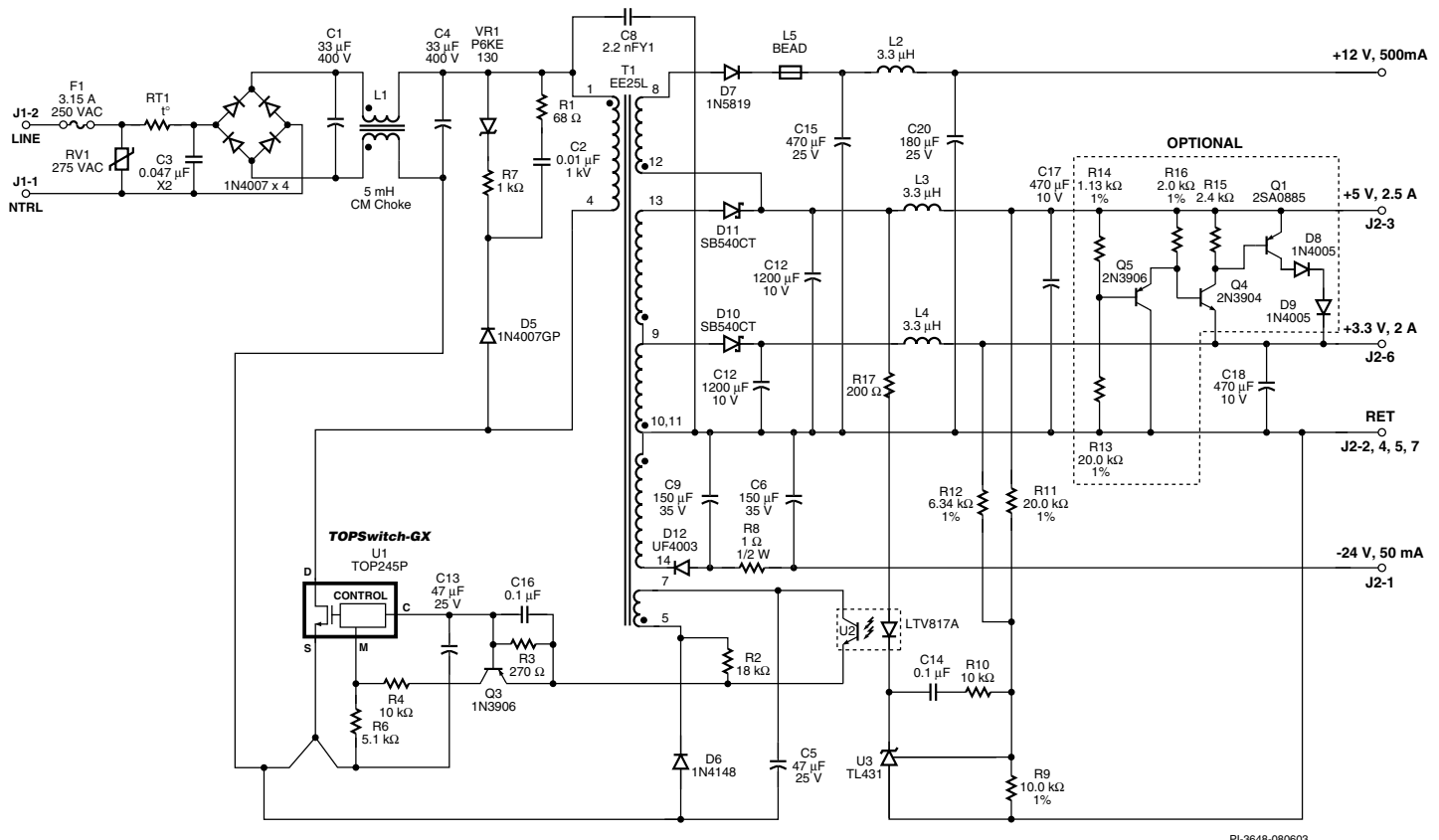
- Simple, low cost, low part count solution
- No heatsink required
- Low EMI-frequency jitter allows EN55022B/FCC B compliance with simple EMI filter
- High efficiency, >75% at 90 VAC
- Low zero load power consumption, <100 mW at 230 VAC
- Low standby power consumption, <1 W input at 0.5 W output, 230 VAC
- Excellent cross-regulation
- Differential and common mode surge immunity to 3 kV (EN 61000-4-5)

Operation

The TOP245P selected for the design in Figure 1 is ideal for DVD and set-top applications. The P package removes the need for a heatsink while still delivering 20 W/25 W peak at an ambient temperature of 50 °C.

The external current limit programming and remote ON/OFF (inhibit) functions of the M pin allow current mode control and reduced switching frequency at light and no-load conditions. Current mode control is implemented by R2, Q3, R3, C16, R4 and R6.

Feedback current above ~2 mA (U1 supply current) forward biases Q3 and pulls up R6. This adjusts the sink current out of the M pin,



PI-3648-080603

Figure 1. 20 W Multiple Output DVD Supply.

thereby allowing the output voltage feedback loop to control the primary switch current.

Resistor R6 sets the maximum current limit, while R2 and C16 provide slope compensation. The value of R4 is chosen to ensure that current does not flow into the M pin, enabling the line sensing features of the pin. The current out of the M pin falls as the load is reduced until the M pin inhibit threshold is reached. The supply then operates with a fixed 25% current limit, lowering the switching frequency to maintain regulation. This greatly reduces switching losses, maintaining high standby efficiency and low no-load power consumption.

Key Design Points

- For good cross-regulation, minimize transformer leakage – use foil for 3.3 V and 5 V outputs; minimize peak primary currents by designing transformer for continuous conduction mode.
- Shunt regulator (temperature compensated) between 5 V and 3.3 V outputs in dotted box on schematic is optional. It is only necessary where min and max load conditions do not occur simultaneously on both outputs.
- Feedback is taken from both the 3.3 V and 5 V outputs to the reference (U3) via R9, R11 and R12. The 12 V output is DC stacked on the 5 V output for enhanced regulation and voltage centering.
- Primary clamp components VR1, D5, R7, R1 and C2 limit the leakage inductance induced peak drain voltage spike.
- D5 is a slow recovery diode to recover some of the clamp energy. It must be a glass passivated type to guarantee a defined t_{rr} .
- Use a Zener clamp for lowest zero load input power consumption.

TRANSFORMER PARAMETERS	
Core Material	EEL25, N67 or equivalent, gap for A_{Lg} of 202 nH/T ²
Bobbin	7 pin + 7 pin
Winding Details	Shield 1: 32T, 2 x 32 AWG Primary: 63T, 2 x 32 AWG Bias: 6T, 4 x 32 AWG Shield 2: 4T, 4 x 32 AWG 3.3 V/5 V foil: 2T + 1T, 0.12 mm foil -24 V: 13T, 2 x 32 AWG +12 V: 4T, 4 x 32 AWG
Winding Order (Pin Numbers)	Shield (NC-1), tape, primary (1-4), tape, bias (5-7), tape, shield 2 (13-NC), foil, (10,11-9-13), -24 V (14-10,11), 12 V (12-8)
Inductance	Primary: 800 μ H \pm 10% Leakage: 80 μ H (max.)
Primary Resonant Frequency	300 kHz (minimum)

Table 1. Transformer Construction Information.

Voltage (V)	Load Range (A)	Regulation (%)																			
		-5	-4	-3	-2	-1	0	1	2	3	4	5	6	7							
3.3	0.3-0.6																				
5	0.3-1.2																				
12	0.1-0.2																				
-24	0.03-0.05																				

Table 2. Worst Case Output Cross-Regulation - All Outputs Taken from Minimum to Maximum Loads.

For the latest updates, visit www.powerint.com

Power Integrations reserves the right to make changes to its products at any time to improve reliability or manufacturability. Power Integrations does not assume any liability arising from the use of any device or circuit described herein. POWER INTEGRATIONS MAKES NO WARRANTY HEREIN AND SPECIFICALLY DISCLAIMS ALL WARRANTIES INCLUDING, WITHOUT LIMITATIONS, THE IMPLIED WARRANTIES OF MERCHANTABILITY, FITNESS FOR A PARTICULAR PURPOSE, AND NON-INFRINGEMENT OF THIRD PARTY RIGHTS. The products and applications illustrated herein (transformer construction and circuits external to the products) may be covered by one or more U.S. and foreign patents or potentially by pending U.S. and foreign patent applications assigned to Power Integrations. A complete list of Power Integrations' patents may be found at www.powerint.com. Power Integrations grants its customers a license under certain patent rights as set forth at <http://www.powerint.com/ip.htm>.

The PI logo, **TOPSwitch**, **TinySwitch**, **LinkSwitch**, **DPA-Switch**, **EcoSmart**, **Clampless**, **E-Shield**, **Filterfuse**, **PI Expert** and **PI FACTS** are trademarks of Power Integrations, Inc. Other trademarks are property of their respective companies. ©Copyright 2006, Power Integrations, Inc.

POWER INTEGRATIONS WORLDWIDE SALES SUPPORT LOCATIONS

APPLICATIONS HOTLINE

Phone: +1 408-414-9660
Fax: +1 408-414-9760

CHINA (SHANGHAI)

Shanghai, China
Phone: +86-21-6215-5548
E-mail: chinasales@powerint.com

INDIA

Bangalore, India
Phone: +91-80-5113-8020
E-mail: indiasales@powerint.com

KOREA

Seoul, Korea
Phone: +82-2-2016-6610
E-mail: koreasales@powerint.com

EUROPE HQ

Farnham, Surrey, United Kingdom
Phone: +44 (0) 1252-730-140
E-mail: eurosales@powerint.com

CUSTOMER SERVICE

Phone: +1 408-414-9665
Fax: +1 408-414-9765

CHINA (SHENZHEN)

Shenzhen, China
Phone: +86-755-8379-3243
E-mail: chinasales@powerint.com

ITALY

Milano, Italy
Phone: +39-028-928-6000
E-mail: eurosales@powerint.com

SINGAPORE

Singapore
Phone: +65-6358-2160
E-mail: singaporesales@powerint.com

WORLD HEADQUARTERS

San Jose, CA, USA
Phone: +1 408-414-9200
E-mail: usasales@powerint.com

GERMANY

Munich, Germany
Phone: +49-89-5527-3910
E-mail: eurosales@powerint.com

JAPAN

Kanagawa, Japan
Phone: +81-45-471-1021
E-mail: japansales@powerint.com

TAIWAN

Taipei, Taiwan
Phone: +886-2-2659-4570
E-mail: taiwansales@powerint.com

For a complete list of our Worldwide Sales Representatives & Distributors visit our Web site: www.powerint.com