



Chipsmall Limited consists of a professional team with an average of over 10 year of expertise in the distribution of electronic components. Based in Hongkong, we have already established firm and mutual-benefit business relationships with customers from,Europe,America and south Asia,supplying obsolete and hard-to-find components to meet their specific needs.

With the principle of “Quality Parts,Customers Priority,Honest Operation,and Considerate Service”,our business mainly focus on the distribution of electronic components. Line cards we deal with include Microchip,ALPS,ROHM,Xilinx,Pulse,ON,Everlight and Freescale. Main products comprise IC,Modules,Potentiometer,IC Socket,Relay,Connector.Our parts cover such applications as commercial,industrial, and automotives areas.

We are looking forward to setting up business relationship with you and hope to provide you with the best service and solution. Let us make a better world for our industry!



Contact us

Tel: +86-755-8981 8866 Fax: +86-755-8427 6832

Email & Skype: info@chipsmall.com Web: www.chipsmall.com

Address: A1208, Overseas Decoration Building, #122 Zhenhua RD., Futian, Shenzhen, China





Copyright FCI.

A

B

C

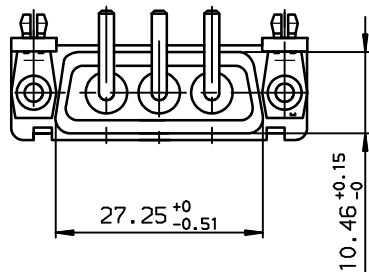
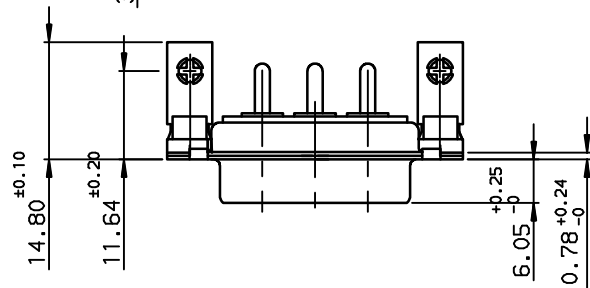
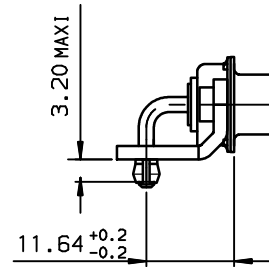
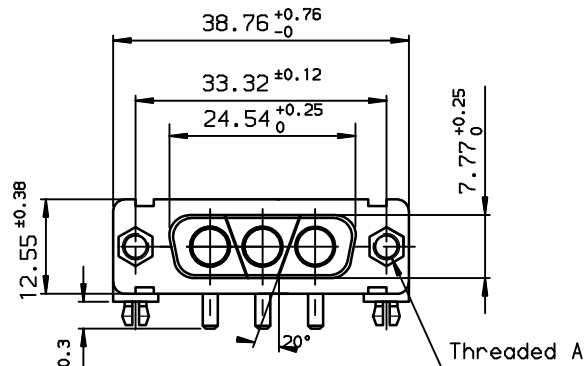
D

A

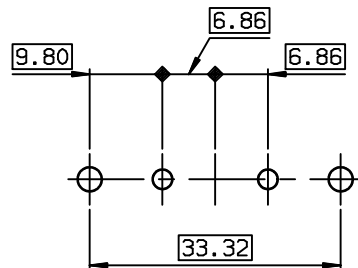
B

C

D



LAYOUT DIMENSIONS (after plating)
CONNECTOR SIDE VIEW



TIN-LEAD PART NUMBER

DA03V3S500G30	UNC 4.40
DAL3V3S500G30	M3
PART NUMBER	Threaded A

LEAD FREE PART NUMBER

DA03V3S500G30LF	UNC 4.40
DAL3V3S500G30LF	M3
PART NUMBER	Threaded A

GENERAL CHARACTERISTICS AND ROHS INFORMATIONS:
SEE DRAWING C01-8639-0001

European Views

www.fciconnect.com		surface ISO 1302 ✓	tolerance std ISO 406 ISO 1101	projection 	mm ↔
TOLERANCES UNLESS OTHERWISE SPECIFIED					
Dr	JOUBERT	1998/04/07	ANGULAR	0.X	±0.1
Eng	PESSON	1998/04/07	LINEAR	0.XX	±0.1
Chr	LEGARE	1998/04/07	0.XX' ±2'	0.XXX	±0.1
Appr	LEGARE	1998/04/07	Product family	D-SUB	Spec ref -
title SOCKET CONNECTOR WITH POWERS CONTACTS			part no C01-8639-1579		Rev. D
catalog no			CUSTOMER sheet 1 of 1		

rev	ecn no	dr	date
B	-	BAR	2003/11/20
C	LS05-001	MPE	2005/03/07
D	LS06-0095	LGO	2006/07/20
-	-	-	-
-	-	-	-
-	-	-	-

REV F - 2006-04-17