



Chipsmall Limited consists of a professional team with an average of over 10 year of expertise in the distribution of electronic components. Based in Hongkong, we have already established firm and mutual-benefit business relationships with customers from,Europe,America and south Asia,supplying obsolete and hard-to-find components to meet their specific needs.

With the principle of "Quality Parts,Customers Priority,Honest Operation,and Considerate Service",our business mainly focus on the distribution of electronic components. Line cards we deal with include Microchip,ALPS,ROHM,Xilinx,Pulse,ON,Everlight and Freescale. Main products comprise IC,Modules,Potentiometer,IC Socket,Relay,Connector.Our parts cover such applications as commercial,industrial, and automotives areas.

We are looking forward to setting up business relationship with you and hope to provide you with the best service and solution. Let us make a better world for our industry!



Contact us

Tel: +86-755-8981 8866 Fax: +86-755-8427 6832

Email & Skype: info@chipsmall.com Web: www.chipsmall.com

Address: A1208, Overseas Decoration Building, #122 Zhenhua RD., Futian, Shenzhen, China



REFERENCE SPECIFICATIONS

-NFC 93425 (in compliance with HE 507)

PHYSICAL CHARACTERISTICS

-INSULATOR MATERIAL: THERMOPLASTIC .UL94V0

-ACCESSORIES: BRASS

-SHELLS: STEEL

ELECTRICAL CHARACTERISTICS

-CONTACT/CONTACT : >=1000 V

-CONTACT/GROUND : >=1200 V

-INSULATION RESISTANCE: >=5000 MOhms

ENVIRONMENTAL CHARACTERISTICS

- CLIMATIC CATEGORY: 55/125/21

TEMPERATURE RANGE -55°C TO +125°C

DAMP HEAT STEADY STATE 21 DAYS

SALT SPRAY 24 HOURS

MECHANICAL CHARACTERISTICS

- RETENTION AGAINST TORQUE: - Threaded insert: 0.7 N.m minimum

- Female screw : 0.5 N.m minimum

NOTE RoHS INFORMATION

- The "LF" products meet european union Directives and other country regulations as described in GS-22-008.

- Shell plating :2 to 4 µm Cu+ Ni + 3 to 10µmm Sn(pure bright)

- Accessories: Sn pure bright + nickel

- Packaging spec: See GS-14-920

Series ← DBL5W5SA00LF

Shell size: E A B C
see sheet 2

Front accessory definition
see sheet 2

Blank :without accessory

L : Threaded insert M3

O : Threaded insert UNC 4-40

V : Female screw UNC 4-40

See note RoHS

Layout of contacts (see sheet 3)

Contacts

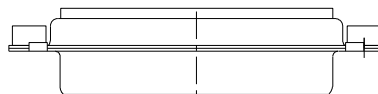
S :Socket

PCB accessory definition

A without accessory on PCB

Power contacts

00 without power contact



www.fciconnect.com		Surface ISO 1302	-	Tolerance std ISO 406	ISO 1101	projection ASME	mm
TOLERANCES UNLESS OTHERWISE SPECIFIED							
Dr	M PESSON	2005-10-11	ANGULAR	0.X	±0.3	size	A2
Eng	P LEGARE	2005-10-11	LINEAR	0.XX	±0.1	Scale	2:1
Chr			0°	±2°	0.xxx	±0.05	ECN F09-0074
Appr			Product family			Spec ref	

Rev	ech no	dr	date
A	LS05-0113	HPE	2005-11-28
B	LS06-0208	LGO	2006-12-13
C	LS07-0273	HPE	2007-11-05
D	F09-0074	LSA	2009-08-18
-	-	-	-
-	-	-	-

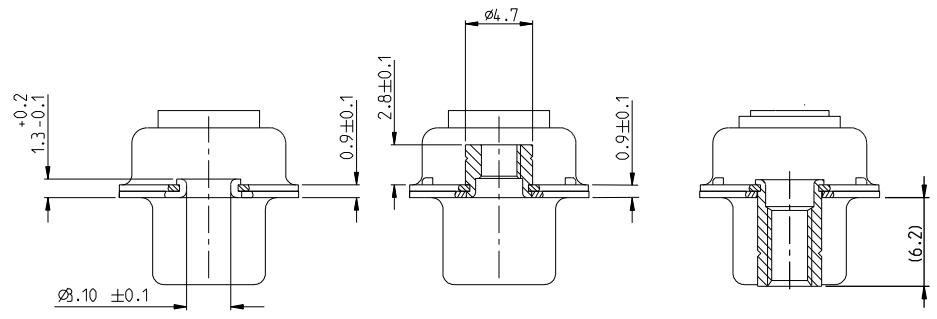
FCI	title	SUB FEMALE DW	Rev.	
catalog	full power without contact			
	Part no	C01-8639-2311		
	CUSTOMER		sheet 1 of 4	

PDM: Rev: D

STATUS Released

Printed: Oct 01, 2010

Copyright FCI



FRONT ACCESSORY	Blank without	L	insert M3	V	Female screw UNC 4-40
PCB ACCESSORIES	A without	A	without	A	without

PART NUMBER	FRONT ACCESSORY	PCB ACCESSORY
D*xW xSA00LF	WITHOUT	WITHOUT
D*VxW xSA00LF	Female screw UNC 4-40	WITHOUT
D*LxW xSA00LF	Insert M3	WITHOUT
D*0xW xSA00LF	Insert UNC 4-40	WITHOUT

shell size	LAYOUTS
E	2V2
A	3V3
A	3W3
B	5W5
C	8W8

Copyright FCI.
FCI

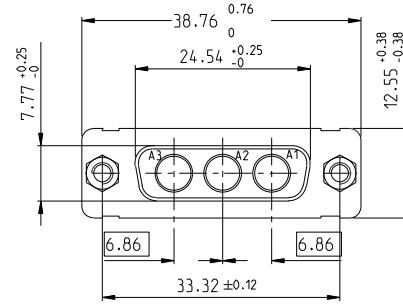
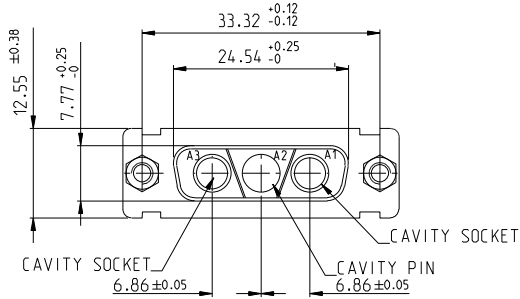
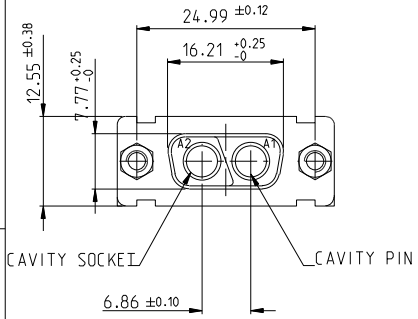
www.fciconnect.com		surface ISO 1302	tolerance std ISO 406 ISO 1101	projection ASME Y14.5	mm
TOLERANCES UNLESS OTHERWISE SPECIFIED					
Dr	M PESSON	2005-10-11	ANGULAR	0.X ±0.3	size A2
Eng	P LEGARE	2005-10-11	LINEAR	0.XX ±0.1	Scale 2:1
Chr				0.XXX ±0.05	ECN F09-0074
Appr			Product family	-	Spec ref
title SUB FEMALE DW			Part no C01-8639-2311		Rev. D
full power without contact			CUSTOMER		sheet 2 of 4

SCALE:4

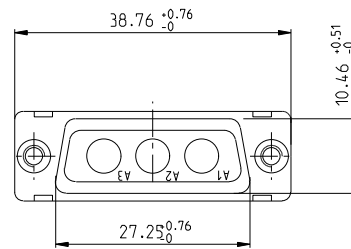
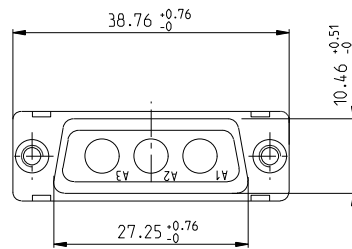
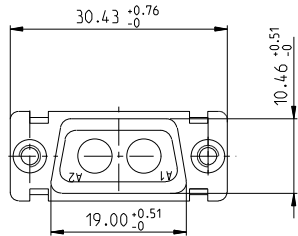
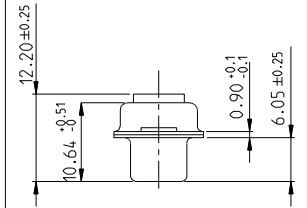
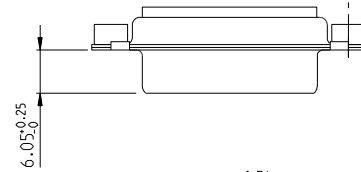
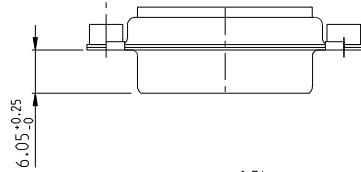
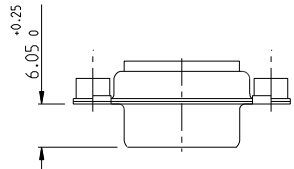
2V2

3V3

3W3



SIDE VIEW FOR LAYOUTS: E A B C



Copyright FCI. FCI

www.fciconnect.com		Surface ISO 1302	tolerance std ISO 406 ISO 1101	projection	mm
TOLERANCES UNLESS OTHERWISE SPECIFIED					
Dr	M PESSON	2005-10-11	ANGULAR	0.X	±0.3
Eng	P LEGARE	2005-10-11	LINEAR	0.XX	±0.1
Chr				0.XXX	±0.05
Appr			Product family	-	Spec ref

FCI	title	SUB FEMALE DW	Rev.	
catalog		full power without contact		
	Part no	C01-8639-2311		
	CUSTOMER		sheet 3 of 4	

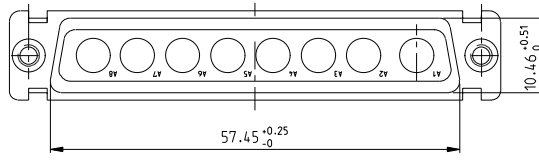
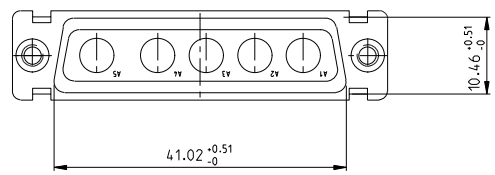
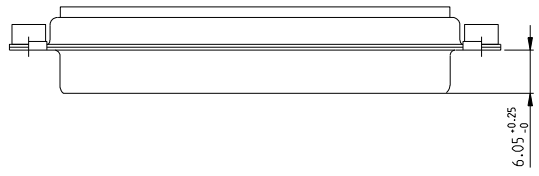
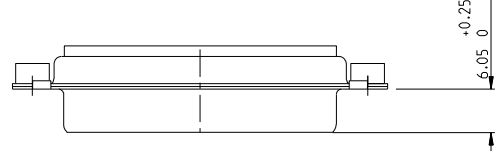
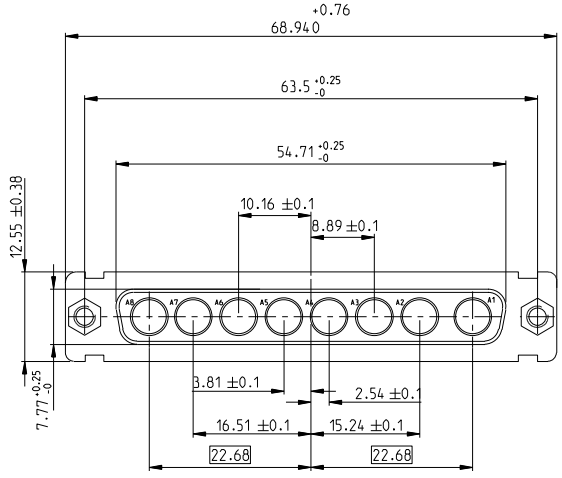
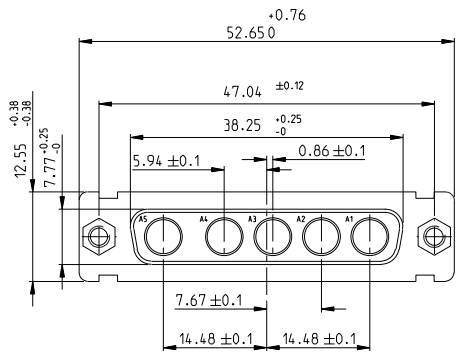
PDM: Rev: D

STATUS: Released

Printed: Oct 01, 2010

5W5

8W8



Copyright FCI. FCI

www.fciconnect.com		Surface ISO 1302	tolerance std ISO 406 ISO 1101	projection	mm
TOLERANCES UNLESS OTHERWISE SPECIFIED					
Dr	M PESSON	2005-10-11	ANGULAR	0.X ±0.3	size A2 Scale 2:1
Eng	P LEGARE	2005-10-11	LINEAR	0.XXX ±0.1	
Chr			0° ±2°	0.XXX ±0.05	ECN F09-0074
Appr			Product family	-	Spec ref

FCI	title SUB FEMALE DW	Rev.
catalog	full power without contact	D
Eng	C01-8639-2311	
	CUSTOMER	sheet 4 of 4