



Chipsmall Limited consists of a professional team with an average of over 10 year of expertise in the distribution of electronic components. Based in Hongkong, we have already established firm and mutual-benefit business relationships with customers from,Europe,America and south Asia,supplying obsolete and hard-to-find components to meet their specific needs.

With the principle of “Quality Parts,Customers Priority,Honest Operation,and Considerate Service”,our business mainly focus on the distribution of electronic components. Line cards we deal with include Microchip,ALPS,ROHM,Xilinx,Pulse,ON,Everlight and Freescale. Main products comprise IC,Modules,Potentiometer,IC Socket,Relay,Connector.Our parts cover such applications as commercial,industrial, and automotives areas.

We are looking forward to setting up business relationship with you and hope to provide you with the best service and solution. Let us make a better world for our industry!



## Contact us

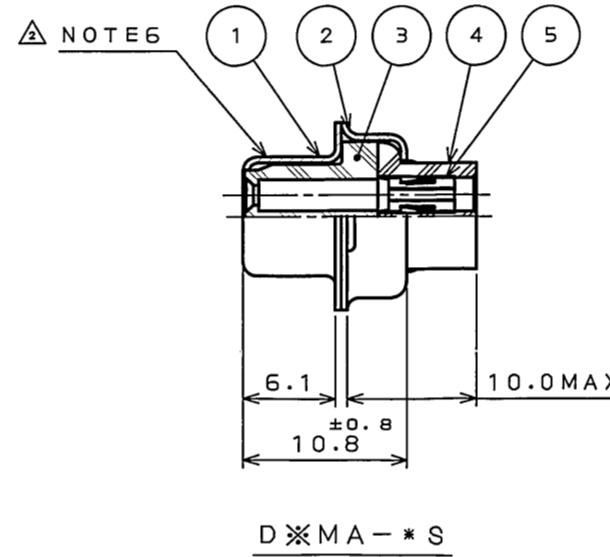
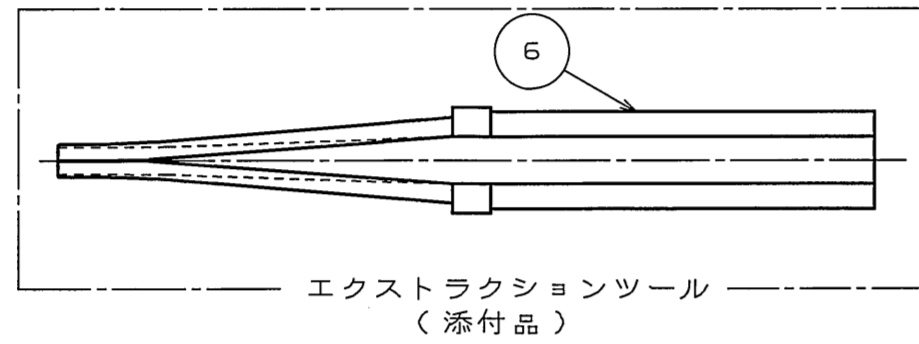
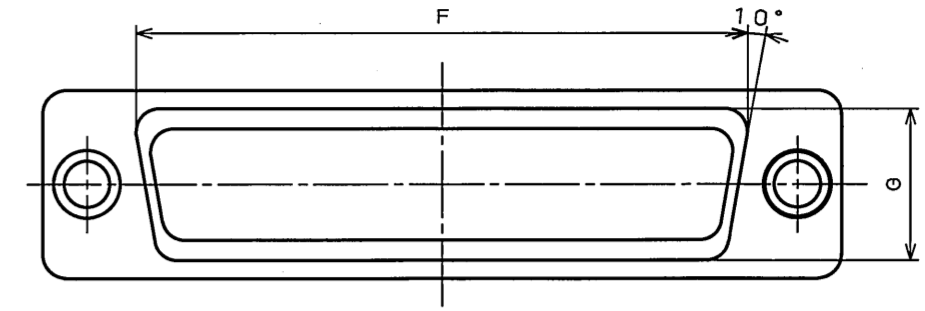
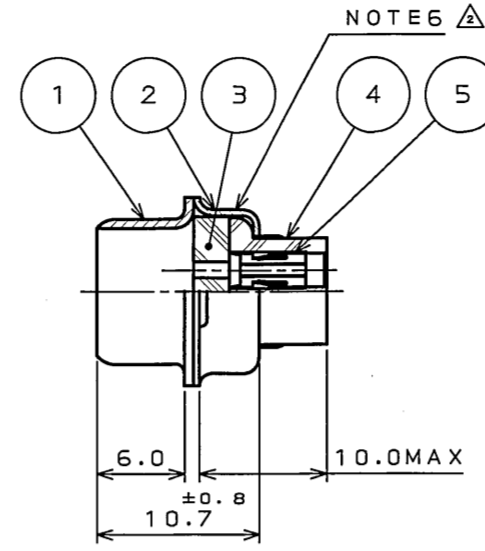
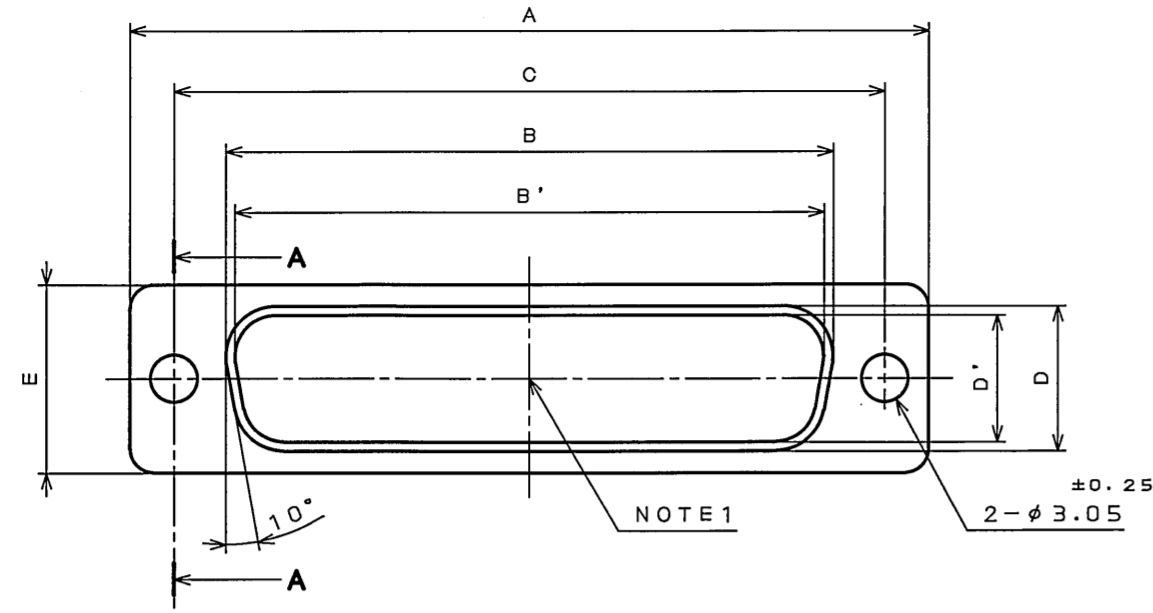
Tel: +86-755-8981 8866 Fax: +86-755-8427 6832

Email & Skype: info@chipsmall.com Web: www.chipsmall.com

Address: A1208, Overseas Decoration Building, #122 Zhenhua RD., Futian, Shenzhen, China

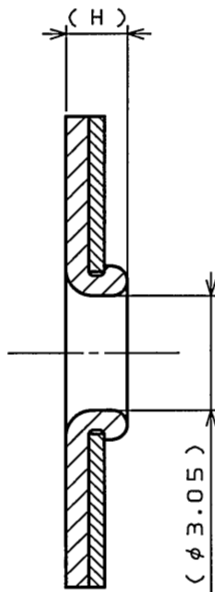
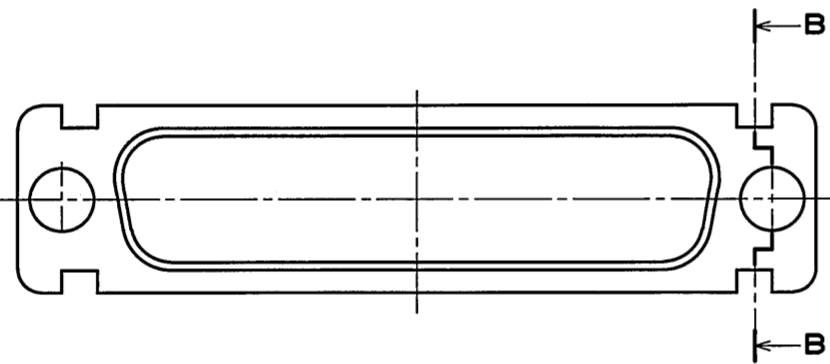


版数 REV.	年月日 DATE	DON NO.	変更内容 DESCRIPTION	製図 DR.	担当 CHK.	査閲 APPD.	承認 APPD.
2	13.Oct.2005	058374	REVISED NOTE6		Y.TAKA01	A. Jago	

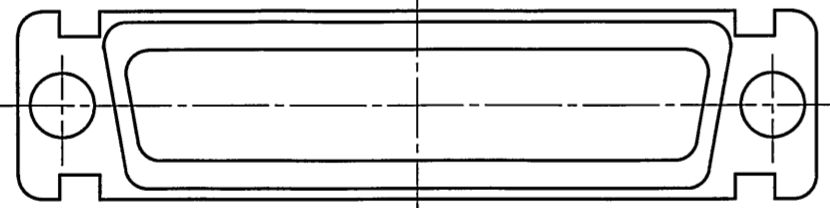


SHALL SEPARATELY FORM

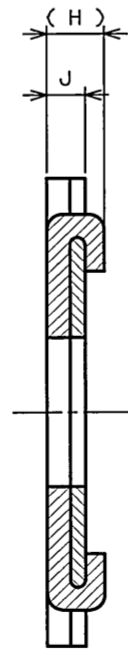
FRONT INTERFACE



REAR INTERFACE

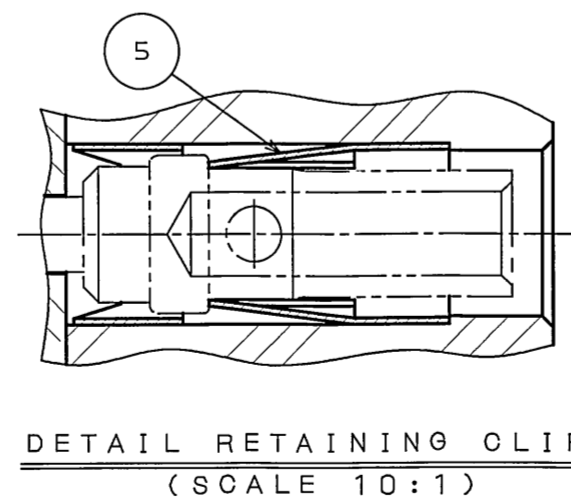


SECT. A-A  
(SCALE 5:1)



SECT. B-B  
(SCALE 5:1)

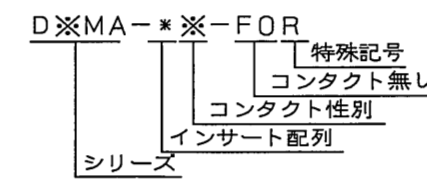
PART No.	±0.5 A	±0.25 B	±0.25 B'	±0.13 C	±0.25 D	±0.25 D'	±0.5 E	F	G	H	J
DEMA-9P-FOR	30.8	—	16.90	24.99	—	8.34	12.6	19.3	10.7	1.2	0.8
DEMA-9S-FOR	30.8	16.26	—	24.99	7.82	—	12.6	19.3	10.7	1.2	0.8
DAMA-15P-FOR	39.1	—	25.24	33.32	—	8.34	12.6	27.5	10.7	1.2	0.8
DAMA-15S-FOR	39.1	24.59	—	33.32	7.82	—	12.6	27.5	10.7	1.2	0.8
DBMA-25P-FOR	53.0	—	39.01	47.04	—	8.34	12.6	41.3	10.7	1.5	1.0
DBMA-25S-FOR	53.0	38.30	—	47.04	7.82	—	12.6	41.3	10.7	1.2	0.8
DOMA-37P-FOR	69.3	—	55.47	63.50	—	8.34	12.6	57.7	10.7	1.5	1.0
DOMA-37S-FOR	69.3	54.76	—	63.50	7.82	—	12.6	57.7	10.7	1.2	0.8
DDMA-50P-FOR	66.9	—	52.86	61.11	—	11.16	15.4	55.3	13.9	1.5	1.0
DDMA-50S-FOR	66.9	52.34	—	61.11	10.65	—	15.4	55.3	13.9	1.2	0.8



DETAIL RETAINING CLIP  
(SCALE 10:1)

1. 図示の位置に "社名" 及び "品名略称" を表示する。
2. 本コネクタ用使用電線は AWG #20 以下で絶縁外径が φ1.83 以下。
3. インサート配列は SJ017083 を参照のこと。

命名法



4. パネル取付穴寸法は SJ013596 を参照のこと。
5. コンタクトは添付されない為、別オーダーで所要数を要求のこと。(表-1 参照)

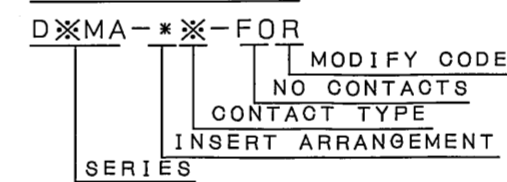
表-1

適合電線 AWG No.	ピンコンタクト	ソケットコンタクト
#18又は2本の#22	330-5291-055	031-1007-054
#26,#28,#30	330-50264	031-50287
#20,#22,#24	330-5291-900	031-5130-000

△ 6. 図示の位置にロット番号を表示する。

- NOTE1. PRODUCTION COMPANY LOGO "JAE" & PART NUMBER AS INDICATED.
2. APPLICABLE WIRE SIZE FOR THIS CONNECTOR IS BELOW AWG #20. OUTER DIMENSION OF
  3. FOR INSERT ARRANGEMENT, REFER TO DWG No. SJ017083.
  4. FOR PCB CUTOUT DIMENSIONS, REFER TO DWG No. SJ013596.

DESIGNATION



5. CONTACTS ARE NOT SUPPLIED WITH CONNECTORS. PLEASE DEMAND NECESSARY NUMBER OF CONTACTS ON ANOTHER ORDER. (SEE TABLE-1).

TABLE-1

APPLICABLE WIRE AWG No.	PIN	SKT
#18 OR #22	330-5291-055	031-1007-054
#26,#28,#30	330-50264	031-50287
#20,#22,#24	330-5291-900	031-5130-000

△ 6. LOT NUMBER AT THE LOCATION SHOWN IN THE DRAWING.

6	EXTRACTION TOOL	1	NYLON		
5	RETAINING CLIP	1	COPPER ALLOY		
4	REAR INSULATOR	1	DIALYLPHTHALATE (COLOR: GREEN)		
3	FRONT INSULATOR	1	DIALYLPHTHALATE (COLOR: GREEN)		
2	REAR SHELL	1	STEEL	HEXAVALENT CHROMIUM FREE CHROMATE (TRIVALENT CHROMATE TREATMENT) ELECTROPLATED ZINC	
1	FRONT SHELL	1	STEEL	HEXAVALENT CHROMIUM FREE CHROMATE (TRIVALENT CHROMATE TREATMENT) ELECTROPLATED ZINC	
符号 NO.	名称 DESCRIPTION	個数 QTY.	材料 MATERIAL	仕上 FINISH	備考 REMARKS
仕様書 (SPECIFICATION) JACS-1045		第1版 (ORIGINAL DATE) 31.Mar.2005		図尺 (SCALE) 2:1	シリーズ (SERIES) Dsub
公差 (GENERAL TOLERANCE)		製図 DR.		名称 (TITLE) D※MA-※-FOR	
寸法 (DIMENSION)		担当 CHK. Y.TAKA01		製図 DR.	
角度 (ANGLES)		査閲 APPD.		承認 APPD. Y.KUBOTA	
・ ±0.8	×° ±	承認 APPD. Y.KUBOTA		図面番号 (DRAWING NO.) SJ103088	
・× ±0.4	××° ±			質量 (MASS)	
・×× ±0.1				図面番号 (DRAWING NO.) SJ103088	
・××× ±				版数 (REV.) 2	