



Chipsmall Limited consists of a professional team with an average of over 10 year of expertise in the distribution of electronic components. Based in Hongkong, we have already established firm and mutual-benefit business relationships with customers from,Europe,America and south Asia,supplying obsolete and hard-to-find components to meet their specific needs.

With the principle of "Quality Parts,Customers Priority,Honest Operation,and Considerate Service",our business mainly focus on the distribution of electronic components. Line cards we deal with include Microchip,ALPS,ROHM,Xilinx,Pulse,ON,Everlight and Freescale. Main products comprise IC,Modules,Potentiometer,IC Socket,Relay,Connector.Our parts cover such applications as commercial,industrial, and automotives areas.

We are looking forward to setting up business relationship with you and hope to provide you with the best service and solution. Let us make a better world for our industry!



## Contact us

Tel: +86-755-8981 8866 Fax: +86-755-8427 6832

Email & Skype: info@chipsmall.com Web: www.chipsmall.com

Address: A1208, Overseas Decoration Building, #122 Zhenhua RD., Futian, Shenzhen, China



REFERENCE SPECIFICATIONS

-NFC 93425 (in compliance with HE 507)

PHYSICAL CHARACTERISTICS

- INSULATOR MATERIAL: THERMOPLASTIC UL94 V-0
- ACCESSORIES: STAINLESS STEEL or BRASS, cadmium plated yellow passivation
- SHELLS: STEEL, cadmium plated yellow passivation

ELECTRICAL CHARACTERISTICS

- CONTACT/CONTACT : >=1000 V
- CONTACT/GROUND : >=1200 V
- INSULATION RESISTANCE: >=5000 MOhms

ENVIRONMENTAL CHARACTERISTICS

- CLIMATIC CATEGORY: 55/125/56
- TEMPERATURE RANGE -55°C TO +125°C
- DAMP HEAT STEADY STATE 56 DAYS
- SALT SPRAY 48 HOURS

# DBMF5W5SN

Series

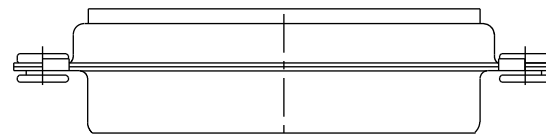
Shell size: **E A B C**  
see sheet 2

Front accessory definition  
see sheet 2

- Blank** :without accessory
- L** :threaded insert M3
- O** :threaded insert UNC 4-40
- V** :female screw UNC 4-40
- I** :female screw M3
- F** :floating mounting

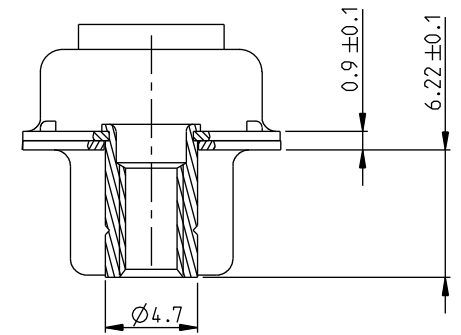
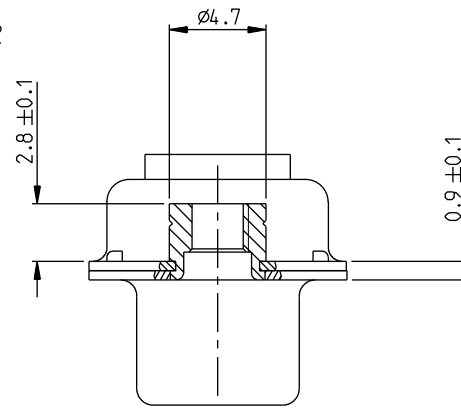
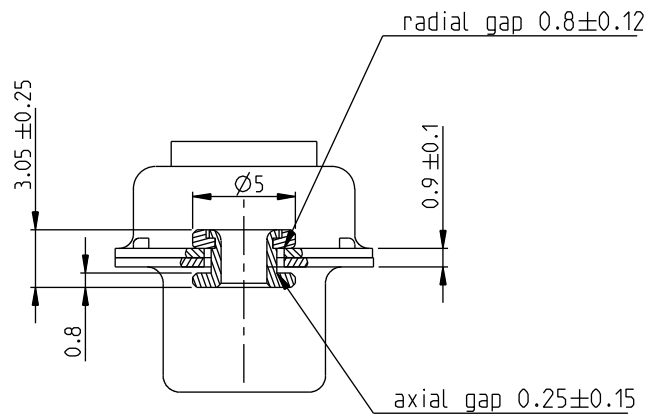
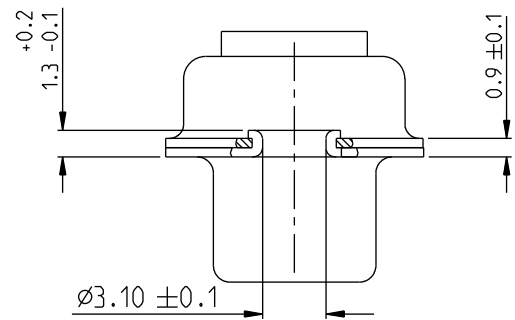
Contacts  
Layout of contacts (see sheet 3)

- S** :Socket
- N** :mandatory indication for HE 507 series



rev	ecn no	dr	date
A	LS06-0174	MPE	2006/11/14
B	LS07-0273	MPE	2007/10/30
C	F10-0072	LSA	2010/07/20
-	-	-	-
-	-	-	-
-	-	-	-

www.fciconnect.com		surface ISO 1302	-	tolerance std ISO 406	ISO 1101	projection ISO 10	mm
		TOLERANCES UNLESS OTHERWISE SPECIFIED					
Dr	M PESSON	2006/11/14	ANGULAR	0.X	±0.3	size	A2
Eng	P LEGARE	2006/11/14	LINEAR	0.XX	±0.1	Scale	2:1
Chr	P LEGARE	2006/11/14	0° ±2°	0.XXX	±0.05	ECN	F10-0072
Appr	P LEGARE	2006/11/14	Product family	-		Spec ref	
FCI		title		SUB FEMALE DMW		dwg no	
		full power without contact		C01-8637-1731		Rev.	
catalog no		-		CUSTOMER		sheet 1 of 4	



FRONT ACCESSORY

**Blank** without

**F** Floating mounting

**L** insert M3  
**O** insert UNC 4.40

**V** Female screw UNC 4.40  
**I** Female screw M3

PART NUMBER	FRONT ACCESSORY
D*M*W*SN	without
D*ML*W*SN	insert M3
D*MO*W*SN	insert UNC 4-40
D*MV*W*SN	female screw UNC 4-40
D*MI*W*SN	female screw M3
D*MF*W*SN	floating mounting

shell size LAYOUTS

*	xW x
E	2V2
A	3V3
A	3W3
B	5W5
C	8W8



Copyright FCI.

www.fciconnect.com		surface -	tolerance std ISO 1302	ISO 406	ISO 1101	projection	mm
		TOLERANCES UNLESS OTHERWISE SPECIFIED					
Dr	M PESSON	2006/11/14	ANGULAR	0.X	±0.3	size	A2
Eng	P LEGARE	2006/11/14	LINEAR	0.XX	±0.1	Scale	4:1
Chr	P LEGARE	2006/11/14	0° ±2°	0.XXX	±0.05	ECN	F10-0072
Appr	P LEGARE	2006/11/14	Product family			Spec ref	
FCI		title SUB FEMALE DMW		full power without contact		dwg no	C01-8637-1731
		catalog no		-		CUSTOMER	sheet 2 of 4

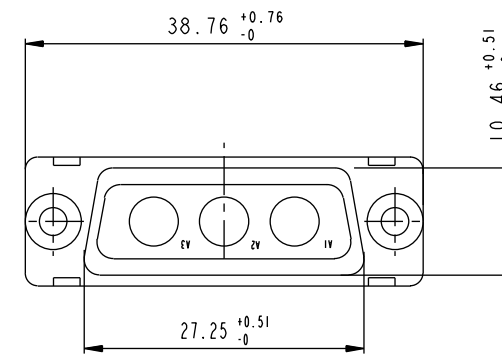
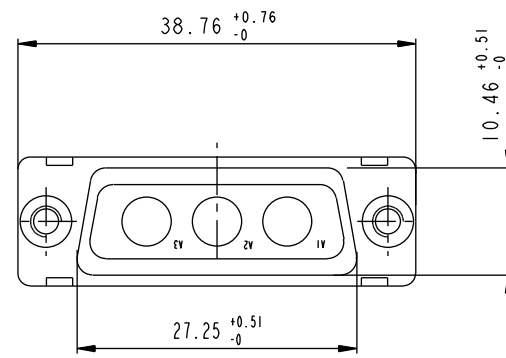
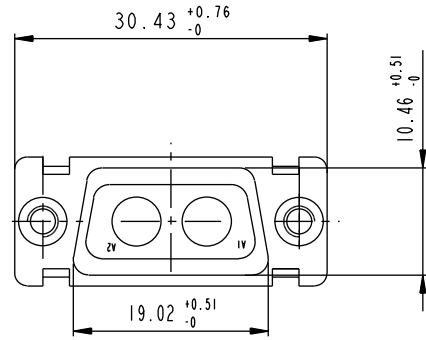
SCALE: 4

REV C - 2006-03-28

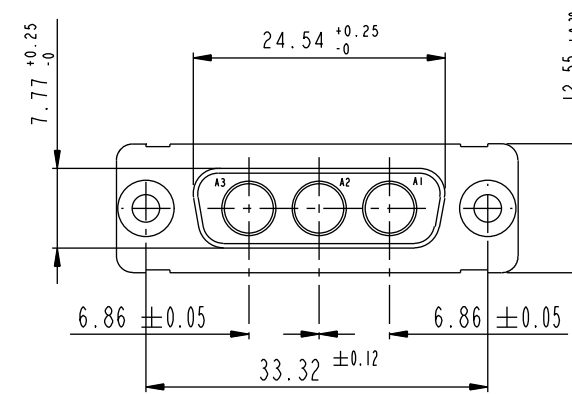
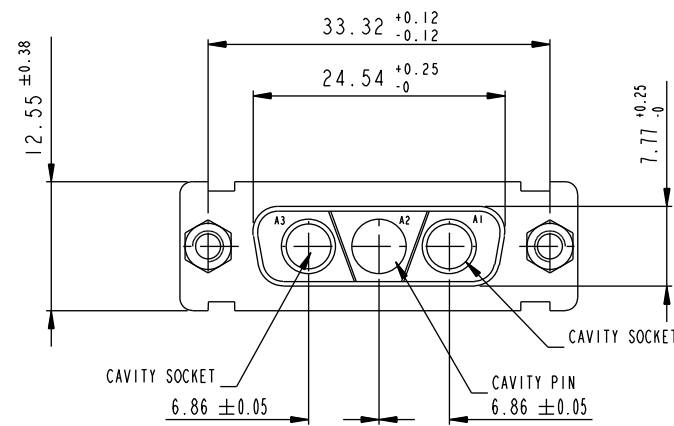
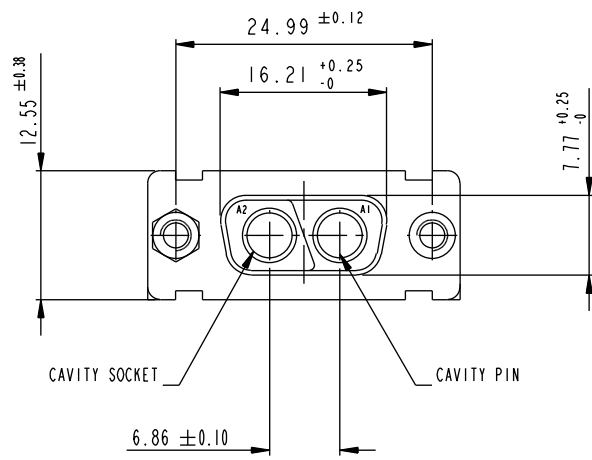
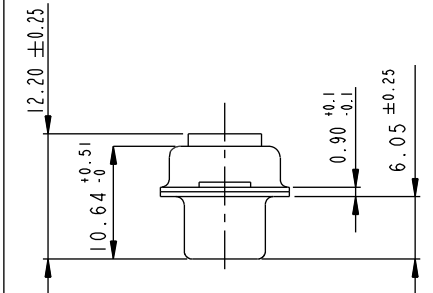
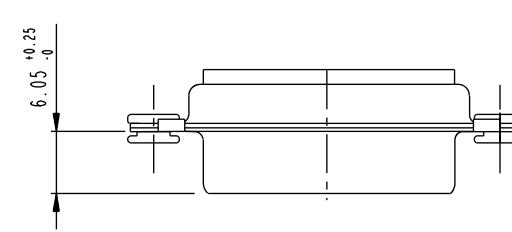
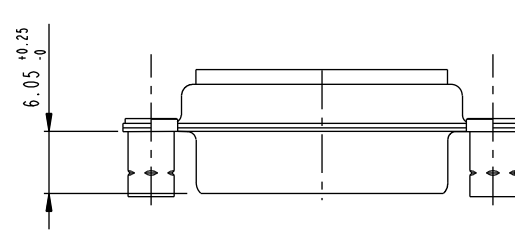
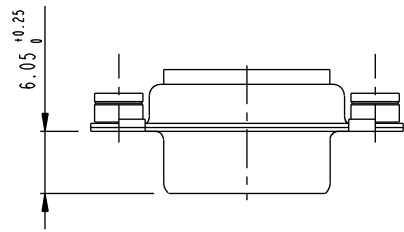
2V2

3V3

3W3



SIDE VIEW FOR LAYOUTS: E A B C



Copyright FCI.

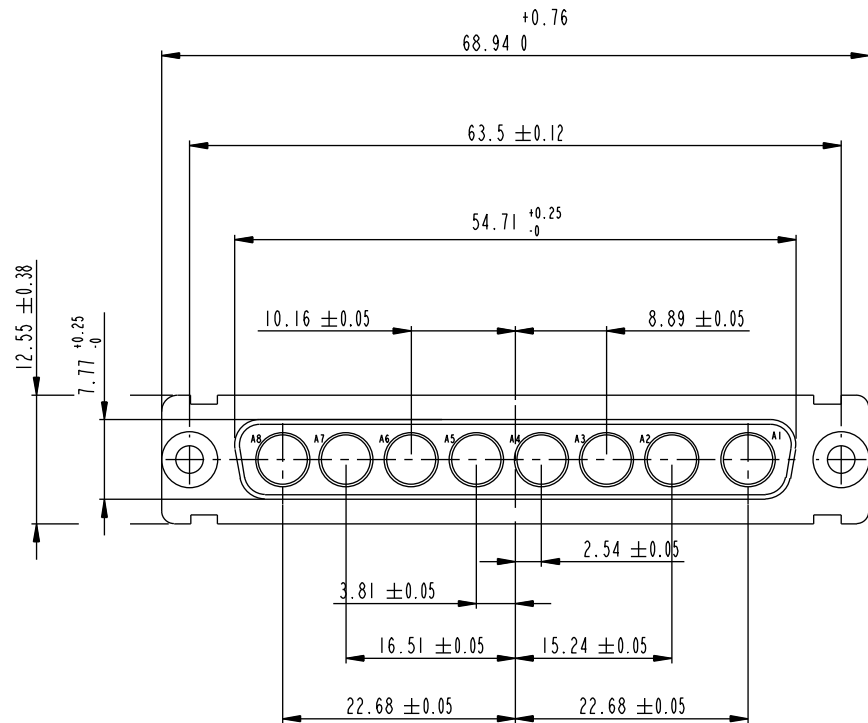
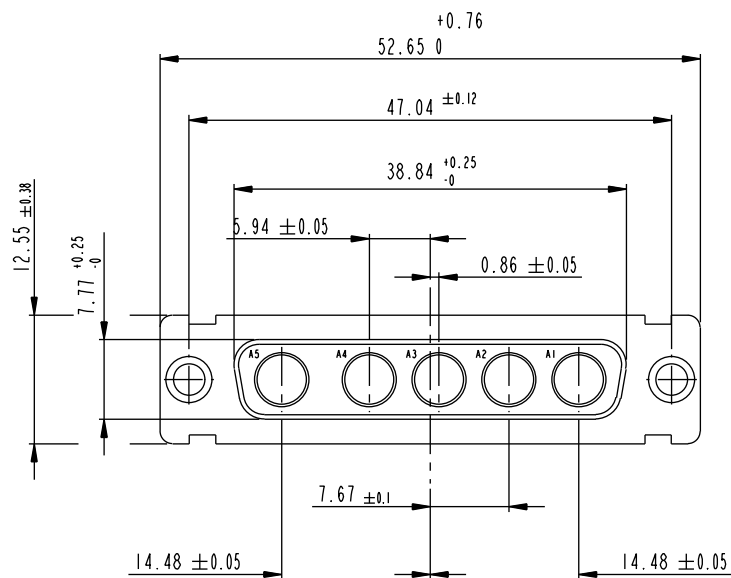
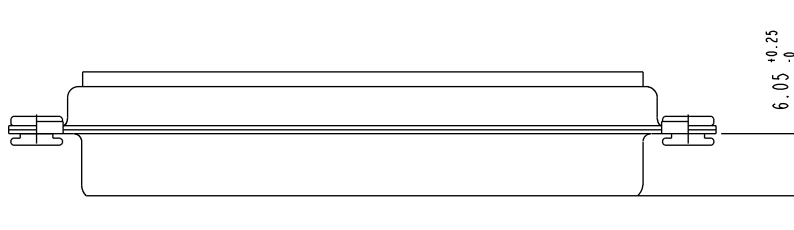
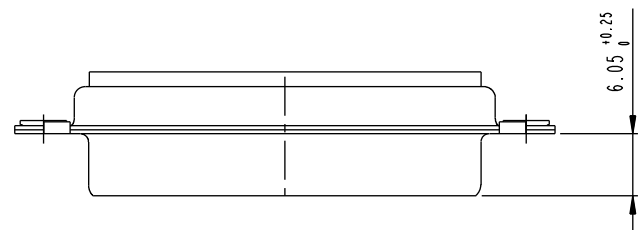
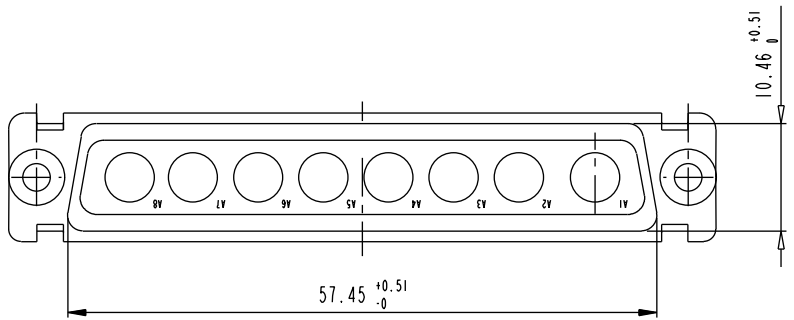
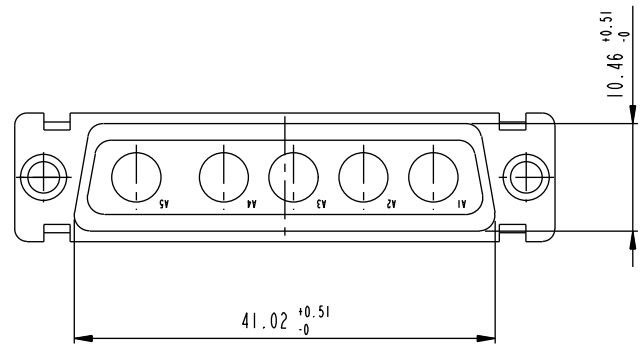
www.fciconnect.com		surface ISO 1302	-	tolerance std ISO 406 ISO 1101	projection ISO 1101	mm
		TOLERANCES UNLESS OTHERWISE SPECIFIED			size A2	Scale 2:1
Dr	M PESSON	2006/11/14	ANGULAR	0.X	±0.3	ECN F10-0072
Eng	P LEGARE	2006/11/14	LINEAR	0.XX	±0.1	
Chr	P LEGARE	2006/11/14	0° ±2°	0.XXX	±0.05	
Appr	P LEGARE	2006/11/14	Product family	- Spec ref		
FCI title SUB FEMALE DMW full power without contact		catalog no		dwg no C01-8637-1731		Rev. C
				CUSTOMER		sheet 3 of 4

REV C - 2006-03-28

1 2 3 4 5 6 7 8

5W5

8W8



Copyright FCI.

www.fciconnect.com		surface ISO 1302	-	tolerance std ISO 406	ISO 1101	projection A2	mm
		TOLERANCES UNLESS OTHERWISE SPECIFIED					
Dr	M PESSON	2006/11/14	ANGULAR	0.X	±0.3	size	Scale
Eng	P LEGARE	2006/11/14	LINEAR	0.XX	±0.1	A2	2:1
Chr	P LEGARE	2006/11/14	0° ±2°	0.XXX	±0.05	ECN	F10-0072
Appr	P LEGARE	2006/11/14	Product family	-		Spec ref	
FCI title SUB FEMALE DMW full power without contact		catalog no		-		dwg no C01-8637-1731	Rev. C
				CUSTOMER		sheet 4 of 4	

REV C - 2006-03-28

1 2 3 4 5 6 7 8