



Chipsmall Limited consists of a professional team with an average of over 10 year of expertise in the distribution of electronic components. Based in Hongkong, we have already established firm and mutual-benefit business relationships with customers from,Europe,America and south Asia,supplying obsolete and hard-to-find components to meet their specific needs.

With the principle of "Quality Parts,Customers Priority,Honest Operation,and Considerate Service",our business mainly focus on the distribution of electronic components. Line cards we deal with include Microchip,ALPS,ROHM,Xilinx,Pulse,ON,Everlight and Freescale. Main products comprise IC,Modules,Potentiometer,IC Socket,Relay,Connector.Our parts cover such applications as commercial,industrial, and automotives areas.

We are looking forward to setting up business relationship with you and hope to provide you with the best service and solution. Let us make a better world for our industry!



## Contact us

Tel: +86-755-8981 8866 Fax: +86-755-8427 6832

Email & Skype: info@chipsmall.com Web: www.chipsmall.com

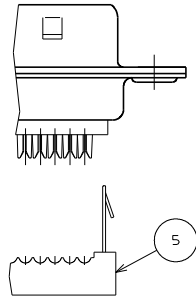
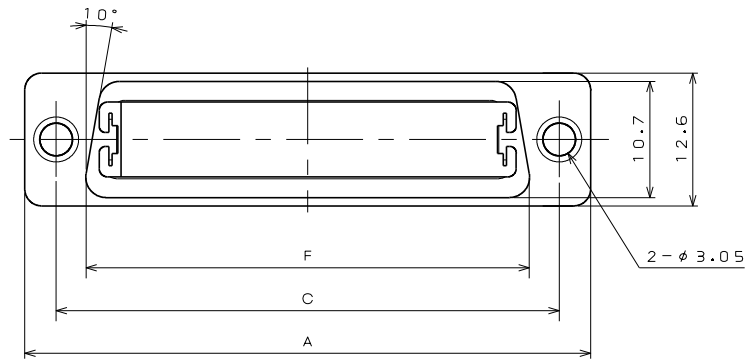
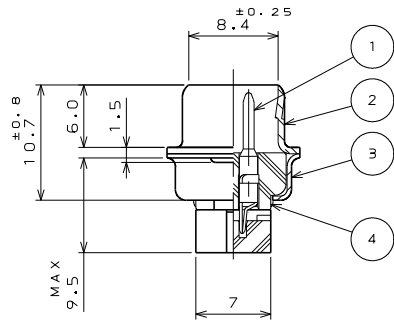
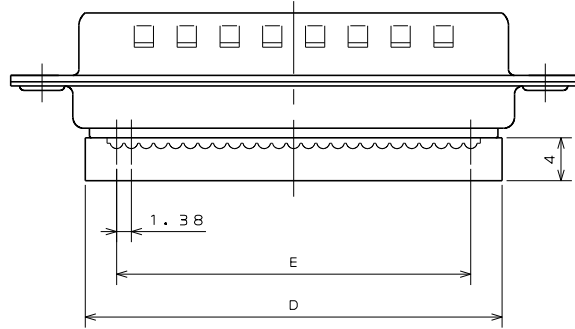
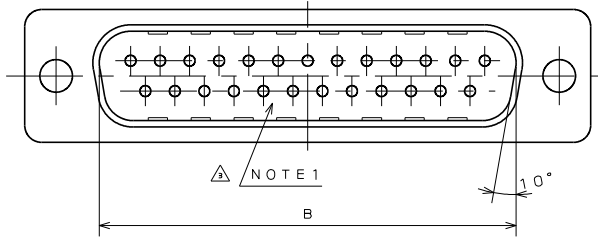
Address: A1208, Overseas Decoration Building, #122 Zhenhua RD., Futian, Shenzhen, China



S60810PS

( \*ON ONIMAHU ) 台標型図

版数 VER.	年月日 DATE	CN NO.	変更内容 DESCRIPTION	製図 DR.	担当 CHK.	査閲 APPD.	承認 APPD.
3	21.Mar'97	39728	REDRAWN.	S.MURAMOTO	Y.HAYASHI	—	H.SAITOU
4	24.Dec.'97	41199	REVISED NOTE 1	H.SAKURADA	—	Y.HAYASHI	H.SAITOU
5	4.Nov.'15	015082	CHANGE CONTACT MATERIAL	—	M.TANAKA	O.TAKAGI	T.MIYASHITA



DESIGNATION

命名法

D \* S P - J B ※ P F  
 SERIES シリーズ  
 SHELL SIZE シェルサイズ  
 MODIFICATION CODE 特殊記号  
 PIN CONTACT ピンコンタクト

CONNECTOR TYPE (SELF PIERCING TYPE)  
 コネクタタイプ(セルフピアシングタイプ)

CONTACT ARRANGEMENT  
 コンタクト配列(芯数)  
 APPLICABLE WIRE SIZE (AWG #28)  
 適合電線サイズ(AWG #28)

PIERCING FORM  
 ピアシング形状

- △△ NOTE1. MARK THE COMPANY NAME AND ABBREVIATED PART NUMBER AT THE LOCATION SHOWN IN THE DRAWING.  
 2. FOR PANEL CUT-OUT DIMENSION, SEE DWG. NO. SJ013596.  
 3. FOR PANEL MOUNTING DIMENSION, SEE DWG. NO. SJ013597.  
 4. THE COVER IS SUPPLIED WITH CONNECTORS, BUT, THAT IS NOT PUT TOGETHER ON CONNECTORS.  
 5. CONNECTORS CAN BE EQUIPPED WITH A EXCLUSIVE STRAIN-RELIEF. (REFERENCE; DWG. NO. SJ015650)  
 6. THIS DRAWING SHOWS NUMBER OF CONTACTS 25. (FOR CONTACT ARRANGEMENT, SEE DWG. NO. SJ010210)

- 注1. 図示の位置に社名及び、品名略称を表示する。  
 2. パネルの穴明け寸法は、図面SJ013596を参照のこと。  
 3. パネルの取付寸法は、図面SJ013597を参照のこと。  
 4. カバー組立は本体に組み込まず添付される。  
 5. 専用のストレーンリリーフを取付けることができる。(SJ015650)  
 6. 本図は25芯の場合を示す。(インサート配列はSJ010210参照)

5	COVER	GUIDE CLIP	2	STAINLESS STEEL	NONE	NOTE 4
		COVER	1	GLASS FILLED PBT	(COLOR: BLACK)	
4	INSULATOR		1	GLASS FILLED PBT	(COLOR: BLACK)	
3	REAR SHELL		1	STEEL	NICKEL PLATING	
2	FRONT SHELL		1	STEEL	NICKEL PLATING	
1	CONTACT	TABLE 1		COPPER ALLOY	GOLD OVER NICKEL PLATING	
符号 NO.	名称 DESCRIPTION	個数 QTY.	材料 MATERIAL	仕上 FINISH	備考 REMARKS	

TABLE 1

PART NUMBER	DIMENSION IN MILLIMETERS					
	±0.5 A	±0.25 B	C	±0.8 D	±0.25 E	F
DESP-JB 9PF	30.8	16.90	24.99	16.9	11.04	19.3
DASP-JB15PF	39.1	25.24	33.32	25.2	19.32	27.5
DBSP-JB25PF	53	39.01	47.04	39	33.12	41.3
DCSP-JB37PF	69.3	55.47	63.50	55.6	49.68	57.7

仕様書(SPECIFICATION) JACS-3044	第1版(ORIGINAL DATE) 8.Apr.1983	尺度(SCALE) 2:1	シリーズ(SERIES) Dsub	日本航空電子工業株式会社 JAPAN AVIATION ELECTRONICS INDUSTRY, LTD.
製図 DR. KOMATSU	製図 CHK. TASHIRO	名称(TITLE) D*SP-JB*PF		
公差(GENERAL TOLERANCE) 寸法(DIMENSION) 角度(ANGLES)	査閲 APPD. NISHINO	承認 APPD. KANEDA		図面番号(DRAWING NO.) SJ018095
単位(UNIT): mm	質量(MASS)			版数 (VER.) 5

