



Chipsmall Limited consists of a professional team with an average of over 10 year of expertise in the distribution of electronic components. Based in Hongkong, we have already established firm and mutual-benefit business relationships with customers from,Europe,America and south Asia,supplying obsolete and hard-to-find components to meet their specific needs.

With the principle of “Quality Parts,Customers Priority,Honest Operation,and Considerate Service”,our business mainly focus on the distribution of electronic components. Line cards we deal with include Microchip,ALPS,ROHM,Xilinx,Pulse,ON,Everlight and Freescale. Main products comprise IC,Modules,Potentiometer,IC Socket,Relay,Connector.Our parts cover such applications as commercial,industrial, and automotives areas.

We are looking forward to setting up business relationship with you and hope to provide you with the best service and solution. Let us make a better world for our industry!



Contact us

Tel: +86-755-8981 8866 Fax: +86-755-8427 6832

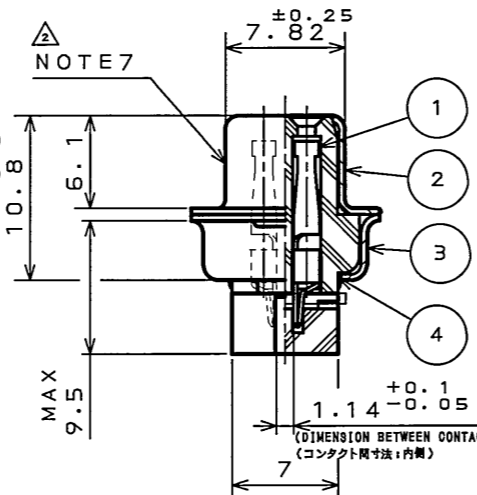
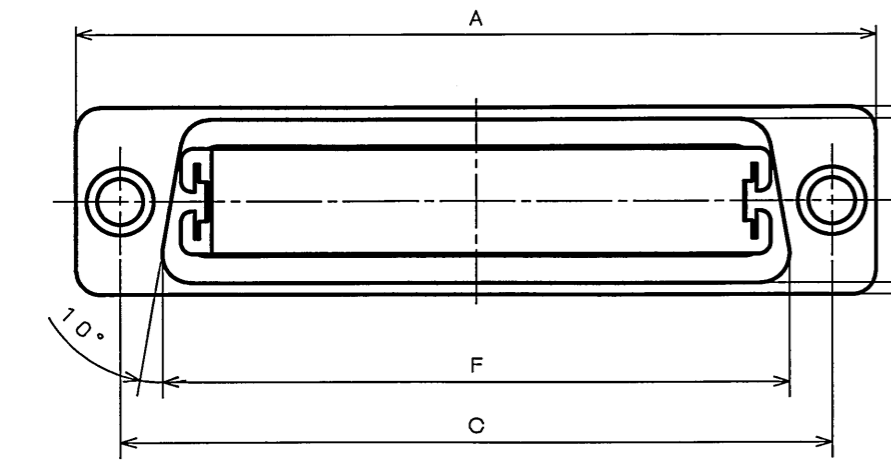
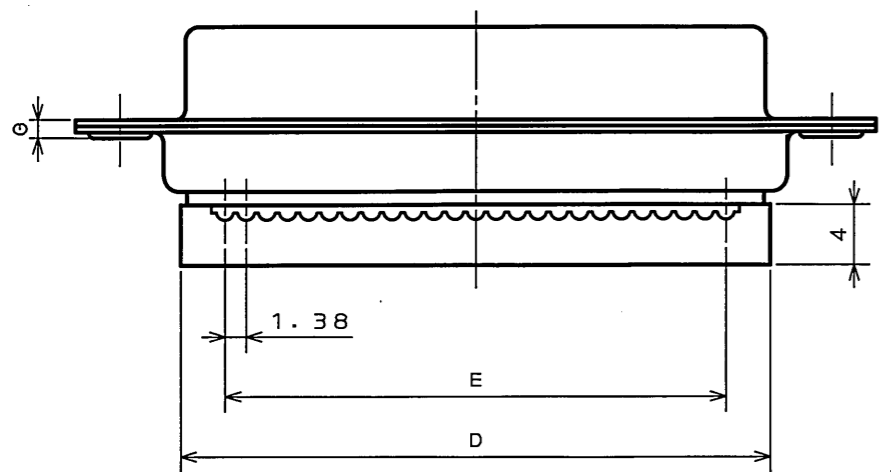
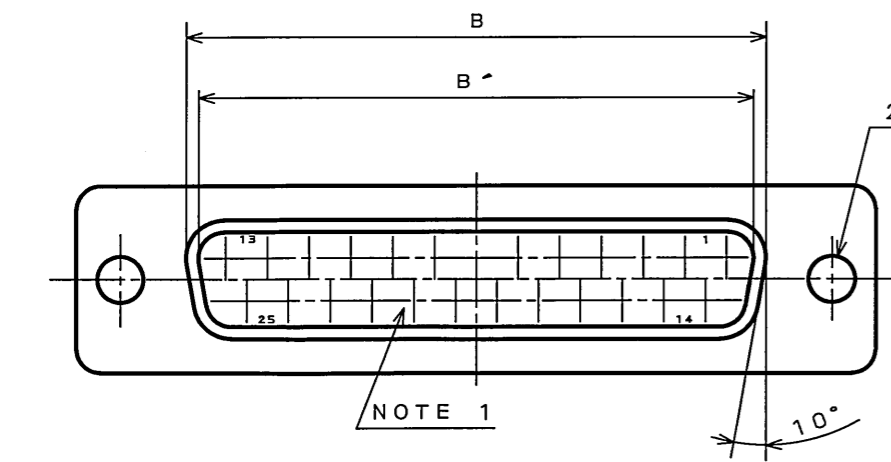
Email & Skype: info@chipsmall.com Web: www.chipsmall.com

Address: A1208, Overseas Decoration Building, #122 Zhenhua RD., Futian, Shenzhen, China

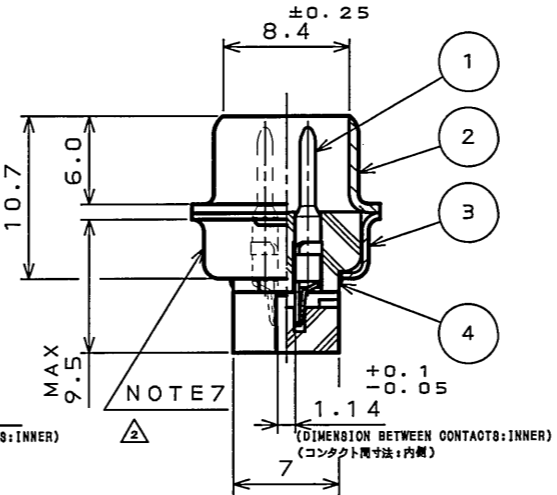


060E01RS
(ON DRAWING)台要図

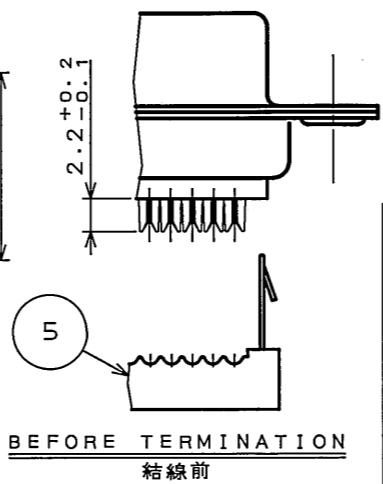
版数 REV.	年月日 DATE	DCN NO.	変更内容 DESCRIPTION	製図 DR.	担当 CHK.	査閲 APPD.	承認 APPD.
2	13.0ot.2005	058374	REVISED NOTE7		Y.TAKA01	A. Fago	Waketa



SOCKET CONNECTOR VERSION
ソケットコネクタ

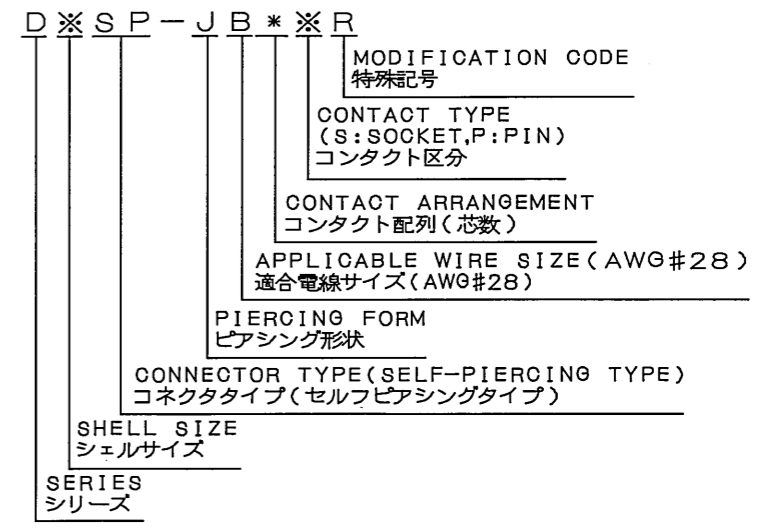


PIN CONNECTOR VERSION
ピンコネクタ



BEFORE TERMINATION
結線前

DESIGNATION
命名法



- NOTE 1. MARK THE COMPANY NAME AND ABBREVIATED PART NUMBER AT THE LOCATION SHOWN IN THE DRAWING.
 2. FOR PANEL OUT-OUT DIMENSION, SEE DWG. NO. SJ013596.
 3. FOR PANEL MOUNTING DIMENSION, SEE DWG. NO. SJ013597.
 4. THE COVER IS SUPPLIED WITH CONNECTORS. BUT, THAT IS NOT PUT TOGETHER ON CONNECTORS.
 5. CONNECTORS CAN BE EQUIPPED WITH A EXCLUSIVE STRAIN-RELIEF. (REFERENCE DWG. NO. SJ015650)
 6. THIS DRAWING SHOWS NUMBER OF CONTACTS 25. (FOR CONTACT ARRANGEMENT, SEE DWG. NO. SJ010210.)
 7. LOT NUMBER AT THE LOCATION SHOWN IN THE DRAWING.
 注 1. 図示の位置に社名及び、品名略称を表示する。
 2. パネルの穴開け寸法はSJ013596を参照のこと。
 3. パネルの取付寸法はSJ013597を参照のこと。
 4. カバー組立は本体に組み込まずに添付される。
 5. 専用のストレーンリリーフを取り付けることができる。(SJ015650)
 6. 本図は25芯の場合を示す。(インサート配列はSJ010210参照)
 7. 図示の位置にロット番号を表示する。

TABLE.1

PART NUMBER	DIMENSION IN MILLMETERS								C/T Q'TY C/T本数
	±0.5 A	±0.25 B	±0.25 B'	C	±0.8 D	±0.25 E	F	G	
DESP-JB 9PR	30.8	—	16.90	24.99	16.9	11.04	19.3	1.2	9
DESP-JB 9SR	30.8	16.26	—	24.99	16.9	11.04	19.3	1.2	
DASP-JB15PR	39.1	—	25.24	33.32	25.2	19.32	27.5	1.2	15
DASP-JB15SR	39.1	24.59	—	33.32	25.2	19.32	27.5	1.2	
DBSP-JB25PR	53.0	—	39.01	47.04	39.0	33.12	41.3	1.5	25
DBSP-JB25SR	53.0	38.30	—	47.04	39.0	33.12	41.3	1.2	
DCSP-JB37PR	69.3	—	55.47	63.50	55.6	49.68	57.7	1.5	37
DCSP-JB37SR	69.3	54.76	—	63.50	55.6	49.68	57.7	1.2	

5	COVER	GUIDE CLIP	2	STAINLESS STEEL	NONE	NOTE 4
		COVER	1	GLASS FILLED PBT	(COLOR: BLACK)	NOTE 4 UL94 V-0
4	INSULATOR		1	GLASS FILLED PBT	(COLOR: BLACK)	UL-94 V-0
3	REAR SHELL		1	STEEL	HEXAVALENT CHROMIUM FREE CHROMATE (TRIVALENT CHROMATE TREATMENT) ON ELECTROPLATED ZINC	
2	FRONT SHELL		1	STEEL	HEXAVALENT CHROMIUM FREE CHROMATE (TRIVALENT CHROMATE TREATMENT) ON ELECTROPLATED ZINC	
1	CONTACT	TABLE 1	1	COPPER ALLOY	GOLD PLATING	
符号 NO.	名称 DESCRIPTION	個数 QTY.	材料 MATERIAL	仕上 FINISH	備考 REMARKS	
	仕様書 (SPECIFICATION)	第1版 (ORIGINAL DATE)	尺度 (SCALE)	シリーズ (SERIES)	日本航空電子工業株式会社 JAPAN AVIATION ELECTRONICS INDUSTRY, LTD. 図面番号 (DRAWING NO.) SJ103090	版数 (REV.) 2
	JACS-3044 T79-5	31.Mar.2005	2:1	Dsub		
	公差 (GENERAL TOLERANCE)	製図 DR.	名称 (TITLE)			
	寸法 (DIMENSION) 角度 (ANGLES)	担当 CHK. Y.TAKA01 査閲 APPD. 承認 APPD. Y.KUBOTA	D * S P - J B * * R			
	. ±0.8 X° ± .X ±0.4 X°X' ± .XX ±0.13 .XXX ±		質量 (MASS)			

DOF-0-212F(05.08)

