



Chipsmall Limited consists of a professional team with an average of over 10 year of expertise in the distribution of electronic components. Based in Hongkong, we have already established firm and mutual-benefit business relationships with customers from,Europe,America and south Asia,supplying obsolete and hard-to-find components to meet their specific needs.

With the principle of "Quality Parts,Customers Priority,Honest Operation,and Considerate Service",our business mainly focus on the distribution of electronic components. Line cards we deal with include Microchip,ALPS,ROHM,Xilinx,Pulse,ON,Everlight and Freescale. Main products comprise IC,Modules,Potentiometer,IC Socket,Relay,Connector.Our parts cover such applications as commercial,industrial, and automotives areas.

We are looking forward to setting up business relationship with you and hope to provide you with the best service and solution. Let us make a better world for our industry!



Contact us

Tel: +86-755-8981 8866 Fax: +86-755-8427 6832

Email & Skype: info@chipsmall.com Web: www.chipsmall.com

Address: A1208, Overseas Decoration Building, #122 Zhenhua RD., Futian, Shenzhen, China





DATALOG-M24LR-A

Datalogger reference board for the M24LR64-R Dual Interface EEPROM

Data brief

Features

- Ready-to-use printed circuit board (PCB) with:
 - 20 mm x 40 mm 13.56 MHz inductive antenna etched on the PCB
 - STM8L101K3 8-bit microcontroller
 - STTS75 temperature sensor
 - CR2330 battery
 - ON/OFF switch
 - SWIM connector for microcontroller firmware upgrade



Description

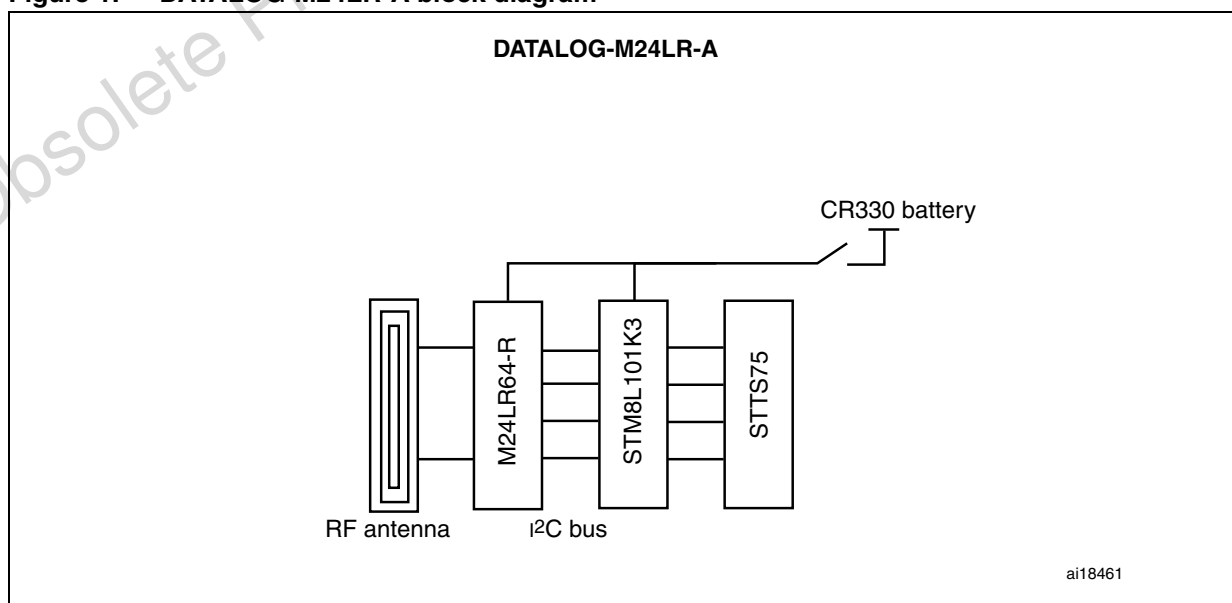
The DATALOG-M24LR-A is a ready-to-use PCB that features an M24LR64-R Dual Interface EEPROM IC connected to an STM8L101K3 8-bit microcontroller through an I²C bus on one side, and to a 20 mm x 40 mm 13.56 MHz etched RF antenna on the other one side. The STM8L101K3 is also interfaced with an STTS75 temperature sensor and a CR2330 coin cell battery.

The DATALOG-M24LR-A allows system designers to start developing a standalone or an embedded datalogger.

The DATALOG-M24LR-A reference board is supported by ST DEVKIT-M24LR-A, STARTKIT-M24LR-A and DEMOKIT-M24LR-A evaluation kits, for which a demonstration software is available.

The reference board Gerber files can be downloaded from <http://www.st.com>.

Figure 1. DATALOG-M24LR-A block diagram



Associated firmware and PC software

The DATALOG-M24LR-A is delivered with:

- An on-board demonstration firmware, the M24LR64-R_Datalogger_application_firmware, that selects and controls the temperature acquisition through a RFID reader connected by a USB cable to a PC
- A PC software, the M24LR64-R_Datalogger_application_software, to configure and control the datalogger, as well as download and display the temperature values.

The firmware source files, the PC software are available from <http://www.st.com>.

Obsolete Product(s) - Obsolete Product(s)

Revision history

Table 1. Document revision history

Date	Revision	Changes
27-Aug-2010	1	Initial release.
26-Oct-2010	2	Updated Figure 1 .

Obsolete Product(s) - Obsolete Product(s)

Please Read Carefully:

Information in this document is provided solely in connection with ST products. STMicroelectronics NV and its subsidiaries ("ST") reserve the right to make changes, corrections, modifications or improvements, to this document, and the products and services described herein at any time, without notice.

All ST products are sold pursuant to ST's terms and conditions of sale.

Purchasers are solely responsible for the choice, selection and use of the ST products and services described herein, and ST assumes no liability whatsoever relating to the choice, selection or use of the ST products and services described herein.

No license, express or implied, by estoppel or otherwise, to any intellectual property rights is granted under this document. If any part of this document refers to any third party products or services it shall not be deemed a license grant by ST for the use of such third party products or services, or any intellectual property contained therein or considered as a warranty covering the use in any manner whatsoever of such third party products or services or any intellectual property contained therein.

UNLESS OTHERWISE SET FORTH IN ST'S TERMS AND CONDITIONS OF SALE ST DISCLAIMS ANY EXPRESS OR IMPLIED WARRANTY WITH RESPECT TO THE USE AND/OR SALE OF ST PRODUCTS INCLUDING WITHOUT LIMITATION IMPLIED WARRANTIES OF MERCHANTABILITY, FITNESS FOR A PARTICULAR PURPOSE (AND THEIR EQUIVALENTS UNDER THE LAWS OF ANY JURISDICTION), OR INFRINGEMENT OF ANY PATENT, COPYRIGHT OR OTHER INTELLECTUAL PROPERTY RIGHT.

UNLESS EXPRESSLY APPROVED IN WRITING BY AN AUTHORIZED ST REPRESENTATIVE, ST PRODUCTS ARE NOT RECOMMENDED, AUTHORIZED OR WARRANTED FOR USE IN MILITARY, AIR CRAFT, SPACE, LIFE SAVING, OR LIFE SUSTAINING APPLICATIONS, NOR IN PRODUCTS OR SYSTEMS WHERE FAILURE OR MALFUNCTION MAY RESULT IN PERSONAL INJURY, DEATH, OR SEVERE PROPERTY OR ENVIRONMENTAL DAMAGE. ST PRODUCTS WHICH ARE NOT SPECIFIED AS "AUTOMOTIVE GRADE" MAY ONLY BE USED IN AUTOMOTIVE APPLICATIONS AT USER'S OWN RISK.

Resale of ST products with provisions different from the statements and/or technical features set forth in this document shall immediately void any warranty granted by ST for the ST product or service described herein and shall not create or extend in any manner whatsoever, any liability of ST.

ST and the ST logo are trademarks or registered trademarks of ST in various countries.

Information in this document supersedes and replaces all information previously supplied.

The ST logo is a registered trademark of STMicroelectronics. All other names are the property of their respective owners.

© 2010 STMicroelectronics - All rights reserved

STMicroelectronics group of companies

Australia - Belgium - Brazil - Canada - China - Czech Republic - Finland - France - Germany - Hong Kong - India - Israel - Italy - Japan - Malaysia - Malta - Morocco - Philippines - Singapore - Spain - Sweden - Switzerland - United Kingdom - United States of America

www.st.com