



Chipsmall Limited consists of a professional team with an average of over 10 year of expertise in the distribution of electronic components. Based in Hongkong, we have already established firm and mutual-benefit business relationships with customers from,Europe,America and south Asia,supplying obsolete and hard-to-find components to meet their specific needs.

With the principle of “Quality Parts,Customers Priority,Honest Operation,and Considerate Service”,our business mainly focus on the distribution of electronic components. Line cards we deal with include Microchip,ALPS,ROHM,Xilinx,Pulse,ON,Everlight and Freescale. Main products comprise IC,Modules,Potentiometer,IC Socket,Relay,Connector.Our parts cover such applications as commercial,industrial, and automotives areas.

We are looking forward to setting up business relationship with you and hope to provide you with the best service and solution. Let us make a better world for our industry!



Contact us

Tel: +86-755-8981 8866 Fax: +86-755-8427 6832

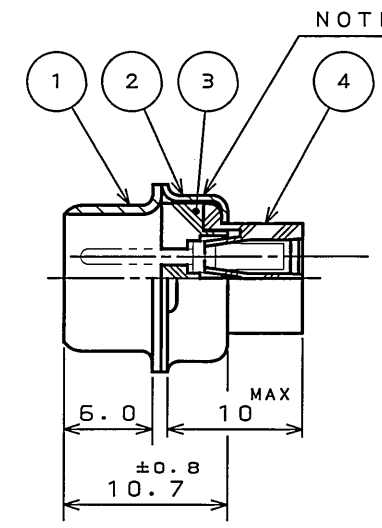
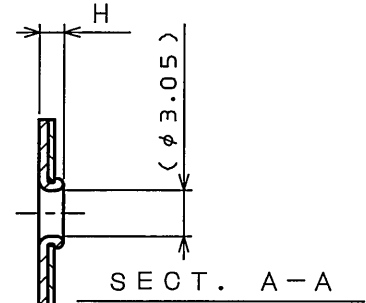
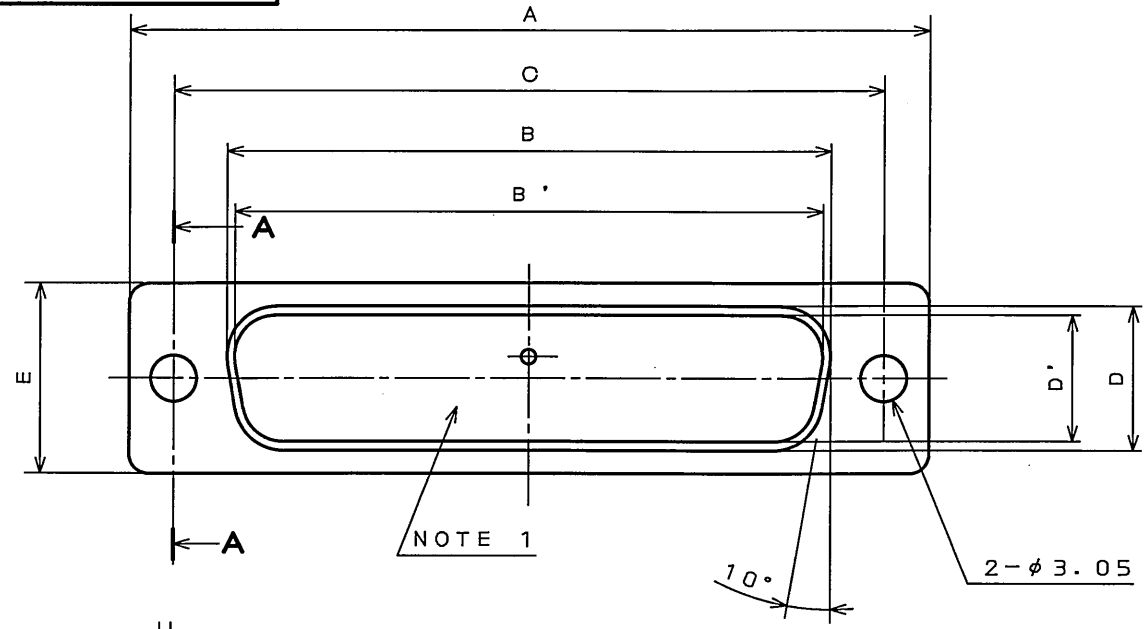
Email & Skype: info@chipsmall.com Web: www.chipsmall.com

Address: A1208, Overseas Decoration Building, #122 Zhenhua RD., Futian, Shenzhen, China

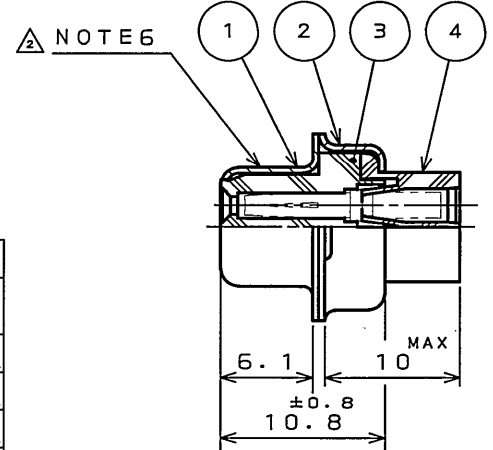


Z80E01PS
(ON DRAWING)台要図

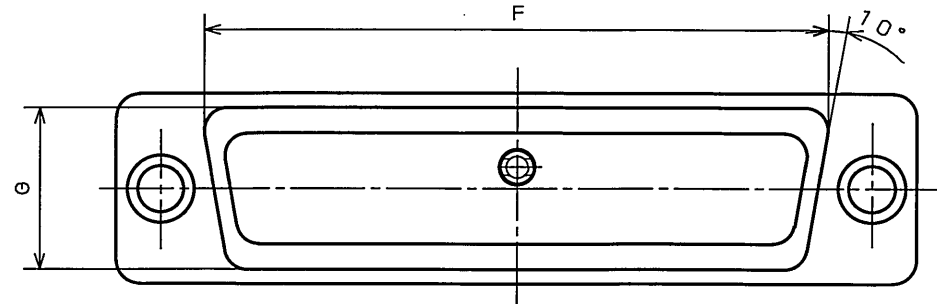
| 版数 REV. | 年月日 DATE | DCN NO. | 変更内容 DESCRIPTION | 製図 DR. | 担当 CHK. | 査閲 APPD. | 承認 APPD. |
|------------|-------------|---------|---------------------|-----------|------------|-------------|-------------|
| 2 | 13.Oct.2005 | 058374 | REVISED NOTES | | Y.TAKA01 | A. Tago | Y. Kubota |



PIN INSERT VERSION
ピンインサートの場合



SOCKET INSERT VERSION
ソケットインサートの場合



DESIGNATION
命名法

D * U - * * - F O R

| | | | | | | |
|----------------|----------------------|---------------------------|-------------------------------|--|---------------------------|-------------------------------------|
| D | U | * | * | F | O | R |
| SERIES シリーズ | SHELL SIZE シェルサイズ | CONNECTOR TYPE コネクタタイプ | INSERT ARRANGEMENT インサート配列 | CONTACT TYPE (S: SOCKET, P: PIN) コンタクト区分 | MODIFICATION CODE 特殊記号 | NO CONTACTS (SEE NOTE 2) コンタクト無し |

SPECIFICATION
仕様

| | |
|--|--------------------------|
| 耐電圧 DIELECTRIC WITHSTANDING VOLTAGE | : A.C1000V(r.m.s)1min. |
| 絶縁抵抗 INSULATION RESISTANCE | : 5000MΩMIN.(AT D.C500V) |
| 接触抵抗 CONTACT RESISTANCE | : 2.67mΩMAX. |

| PART NUMBER | DIMENSION IN MILLIMETERS | | | | | | | | | |
|-------------|--------------------------|------------|-------------|------------|------------|-------------|-----------|------|------|-----|
| | ±0.5 A | ±0.25 B | ±0.25 B' | ±0.13 C | ±0.25 D | ±0.25 D' | ±0.5 E | F | G | H |
| DEU-9P-FOR | 30.8 | | 16.9 | 24.99 | | 8.34 | 12.6 | 19.3 | 10.7 | 1.2 |
| DEU-9S-FOR | 30.8 | 16.26 | | 24.99 | 7.82 | | 12.6 | 19.3 | 10.7 | 1.2 |
| DAU-15P-FOR | 39.1 | | 25.24 | 33.32 | | 8.34 | 12.6 | 27.5 | 10.7 | 1.2 |
| DAU-15S-FOR | 39.1 | 24.59 | | 33.32 | 7.82 | | 12.6 | 27.5 | 10.7 | 1.2 |
| DBU-25P-FOR | 53.0 | | 39.01 | 47.04 | | 8.40 | 12.6 | 41.3 | 10.7 | 1.5 |
| DBU-25S-FOR | 53.0 | 38.30 | | 47.04 | 7.82 | | 12.6 | 41.3 | 10.7 | 1.2 |
| DCU-37P-FOR | 69.3 | | 55.47 | 63.50 | | 8.40 | 12.6 | 57.7 | 10.7 | 1.5 |
| DCU-37S-FOR | 69.3 | 54.76 | | 63.50 | 7.82 | | 12.6 | 57.7 | 10.7 | 1.2 |
| DDU-50P-FOR | 66.9 | | 52.86 | 61.11 | | 11.16 | 15.4 | 55.3 | 13.9 | 1.5 |
| DDU-50S-FOR | 66.9 | 52.34 | | 61.11 | 10.65 | | 15.4 | 55.3 | 13.9 | 1.2 |

- NOTE1. MARK THE COMPANY NAME AND ABBREVIATED PART NUMBER AT THE LOCATION SHOWN IN THE DRAWING.
2. CONTACTS ARE NOT SUPPLIED WITH CONNECTORS. PLEASE DEMAND NECESSARY NUMBER OF CONTACTS ON ANOTHER ORDER.
3. FOR CONTACT ARRANGEMENT, SEE DWG. NO. SJ010210.
4. INSULATOR MATERIAL OF "UL STANDARDS".
STANDARD OF BURNING:UL-94 V-0
5. FOR PANEL CUT-OUT DIMENSION, SEE DWG. NO. SJ013596.
- △ 6. LOT NUMBER AT THE LOCATION SHOWN IN THE DRAWING.
- 注1. 図示の位置に社名及び、品名略称を表示する。
2. コンタクトは添付されない為、別オーダーで所要数を要求のこと。
3. インサート配列SJ010210を参照のこと。
4. インシュレータ材料はUL規格認定品の次の材料を使用する。
燃焼性規格:UL-94 V-0
5. パネル取付穴寸法はSJ013596を参照のこと。
- △ 6. 図示の位置にロット番号を表示する。

| | | | | | |
|-----------|------------------|------------|-----------------|--|--------------------|
| 4 | REAR INSULATOR | 1 | GLASS FILED NY | | NONTE4 COLOR:BLACK |
| 3 | FRONT INSULATOR | 1 | GLASS FIELD PBT | | NONTE4 COLOR:BLACK |
| 2 | REAR SHELL | 1 | STEEL | HEXAVALENT CHROMIUM FREE CHROMATE (TRIVALENT CHROMATE TREATMENT) ON ELECTROPLATED ZINC | |
| 1 | FRONT SHELL | 1 | STEEL | HEXAVALENT CHROMIUM FREE CHROMATE (TRIVALENT CHROMATE TREATMENT) ON ELECTROPLATED ZINC | |
| 符号 NO. | 名 DESCRIPTION | 個数 QTY. | 材 MATERIAL | 仕 FINISH | 備 REMARKS |

| | | | | | |
|------------------------------------|------------------------------------|---------------------------------|-----------------------|---|----------------|
| 仕様書 (SPECIFICATION) JACS-3019-1 | 第1版 (ORIGINAL DATE) 31.Mar.2005 | 尺度 (SCALE) 2:1 | シリーズ (SERIES) Dsub | 日本航空電子工業株式会社 JAPAN AVIATION ELECTRONICS INDUSTRY, LTD. 図面番号 (DRAWING NO.) SJ103082 | 版数 (REV.) 2 |
| 製図 DR. | 担当 CHK. Y.TAKA01 | 名称 (TITLE) D * U - * * - F O | | | |
| 公差 (GENERAL TOLERANCE) | 査閲 APPD. | 質量 (MASS) | | | |
| 寸法 (DIMENSION) 角度 (ANGLES) | 承認 APPD. Y.KUBOTA | | | | |

DOF-0-212F(05.08)

