



Chipsmall Limited consists of a professional team with an average of over 10 year of expertise in the distribution of electronic components. Based in Hongkong, we have already established firm and mutual-benefit business relationships with customers from,Europe,America and south Asia,supplying obsolete and hard-to-find components to meet their specific needs.

With the principle of “Quality Parts,Customers Priority,Honest Operation,and Considerate Service”,our business mainly focus on the distribution of electronic components. Line cards we deal with include Microchip,ALPS,ROHM,Xilinx,Pulse,ON,Everlight and Freescale. Main products comprise IC,Modules,Potentiometer,IC Socket,Relay,Connector.Our parts cover such applications as commercial,industrial, and automotives areas.

We are looking forward to setting up business relationship with you and hope to provide you with the best service and solution. Let us make a better world for our industry!



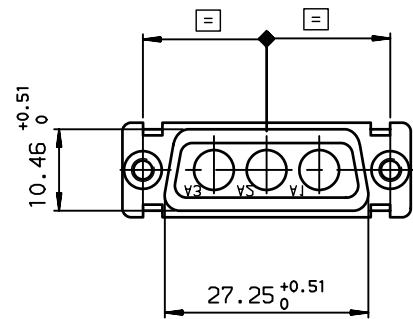
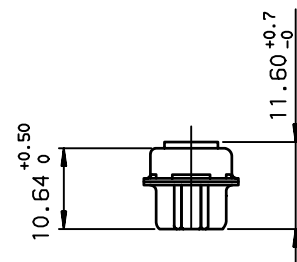
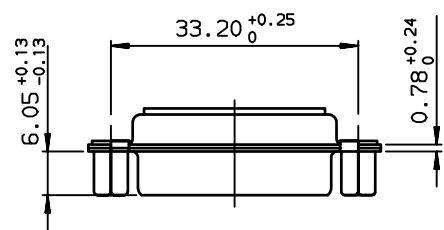
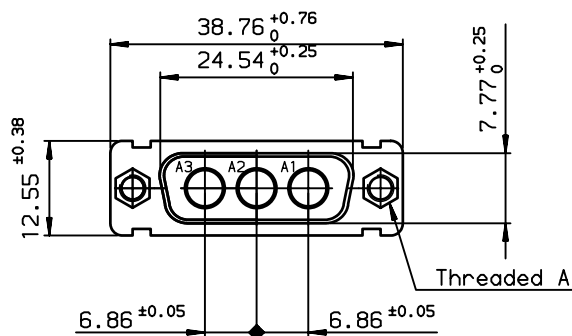
Contact us

Tel: +86-755-8981 8866 Fax: +86-755-8427 6832

Email & Skype: info@chipsmall.com Web: www.chipsmall.com

Address: A1208, Overseas Decoration Building, #122 Zhenhua RD., Futian, Shenzhen, China





TIN LEAD PART NUMBER

DAV3W3SA00	UNC 4.40
DAI3W3SA00	M3
PART NUMBER	Threaded A

GENERAL CHARACTERISTICS : SEE DRAWING C01-8639-0003

European Views

www.fciconnect.com		surface ISO 1302 ✓	tolerance std ISO 406 ISO 1101	projection mm
TOLERANCES UNLESS OTHERWISE SPECIFIED				
Dr	JARRY	2001/01/04	ANGULAR	0.X ±0.1
Eng	PESSON	2001/01/04	LINEAR	0.XX ±0.1
Chr	LEGARE	2001/01/04	0.XX' ±2'	0.XXX ±0.1
Appr	LEGARE	2001/01/04	Product family	D-SUB
			size	A3
			Scale	1.5
			ECN	LS07-0070
			Spec ref	-
		SOCKET CONNECTORS SUB D FOR POWERS CONTACTS .		dwg no C01-8639-1798
		catalog no -		Rev. F
			CUSTOMER	sheet 1 of 1

rev	ecn no	dr	date
B	-	DEB	2003/09/29
C	LS05-003	MPE	2005/03/28
D	LS06-0095	LGO	2006/06/27
E	LS07-0001	MPE	2007/01/05
F	LS07-0070	MPE	2007/03/06
-	-	-	-
-	-	-	-