



Chipsmall Limited consists of a professional team with an average of over 10 year of expertise in the distribution of electronic components. Based in Hongkong, we have already established firm and mutual-benefit business relationships with customers from,Europe,America and south Asia,supplying obsolete and hard-to-find components to meet their specific needs.

With the principle of “Quality Parts,Customers Priority,Honest Operation,and Considerate Service”,our business mainly focus on the distribution of electronic components. Line cards we deal with include Microchip,ALPS,ROHM,Xilinx,Pulse,ON,Everlight and Freescale. Main products comprise IC,Modules,Potentiometer,IC Socket,Relay,Connector.Our parts cover such applications as commercial,industrial, and automotives areas.

We are looking forward to setting up business relationship with you and hope to provide you with the best service and solution. Let us make a better world for our industry!



Contact us

Tel: +86-755-8981 8866 Fax: +86-755-8427 6832

Email & Skype: info@chipsmall.com Web: www.chipsmall.com

Address: A1208, Overseas Decoration Building, #122 Zhenhua RD., Futian, Shenzhen, China



ZZ0E01PS
(ON 0N1MYHD) 台要図

版数 REV.	年月日 DATE	DCN NO.	変更内容 DESCRIPTION	製図 DR.	担当 CHK.	査閲 APPD.	承認 APPD.
2	13.0ot.2005	058374	REVISED NOTE4		Y.TAKAGI	A. Fago	J. Kubota

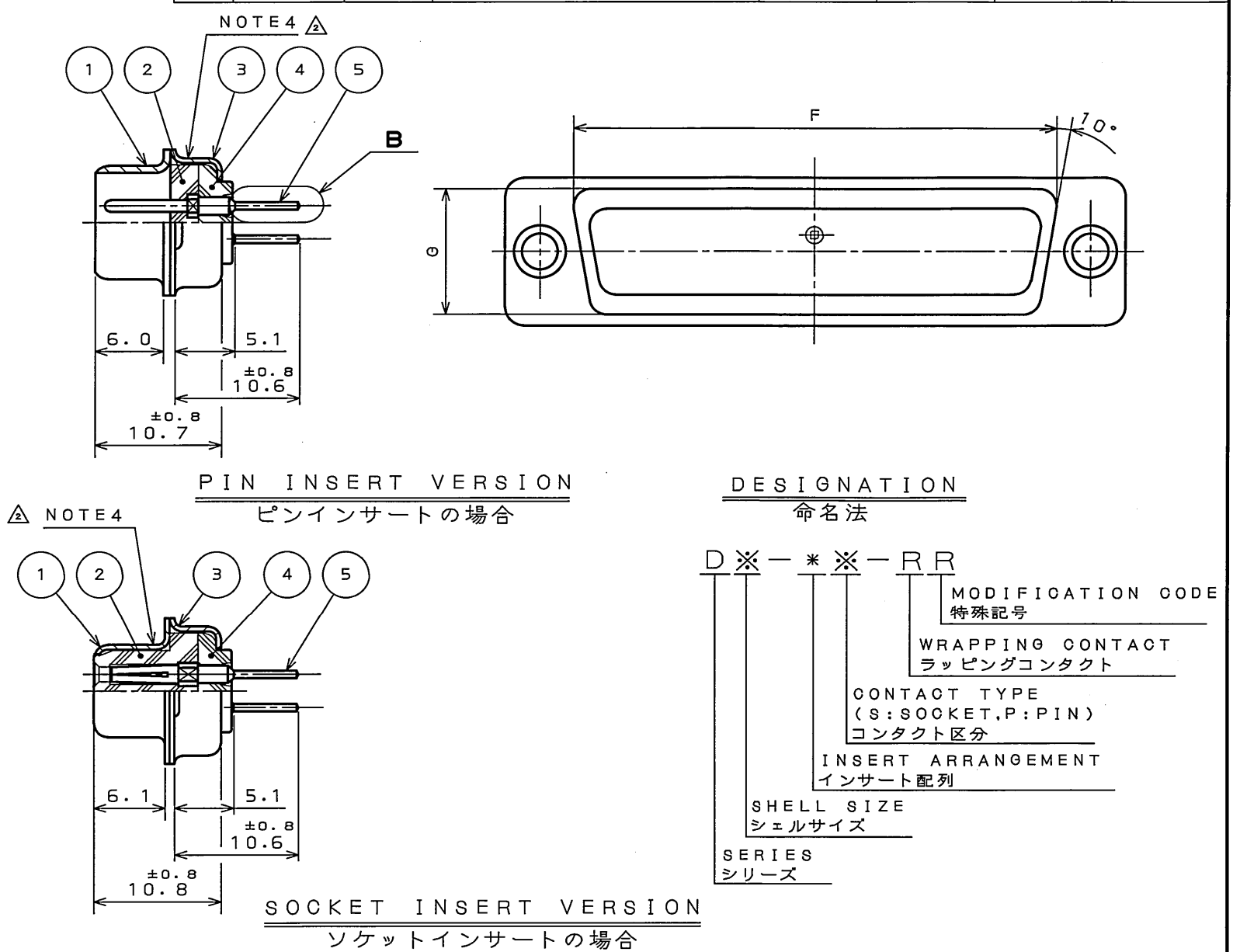
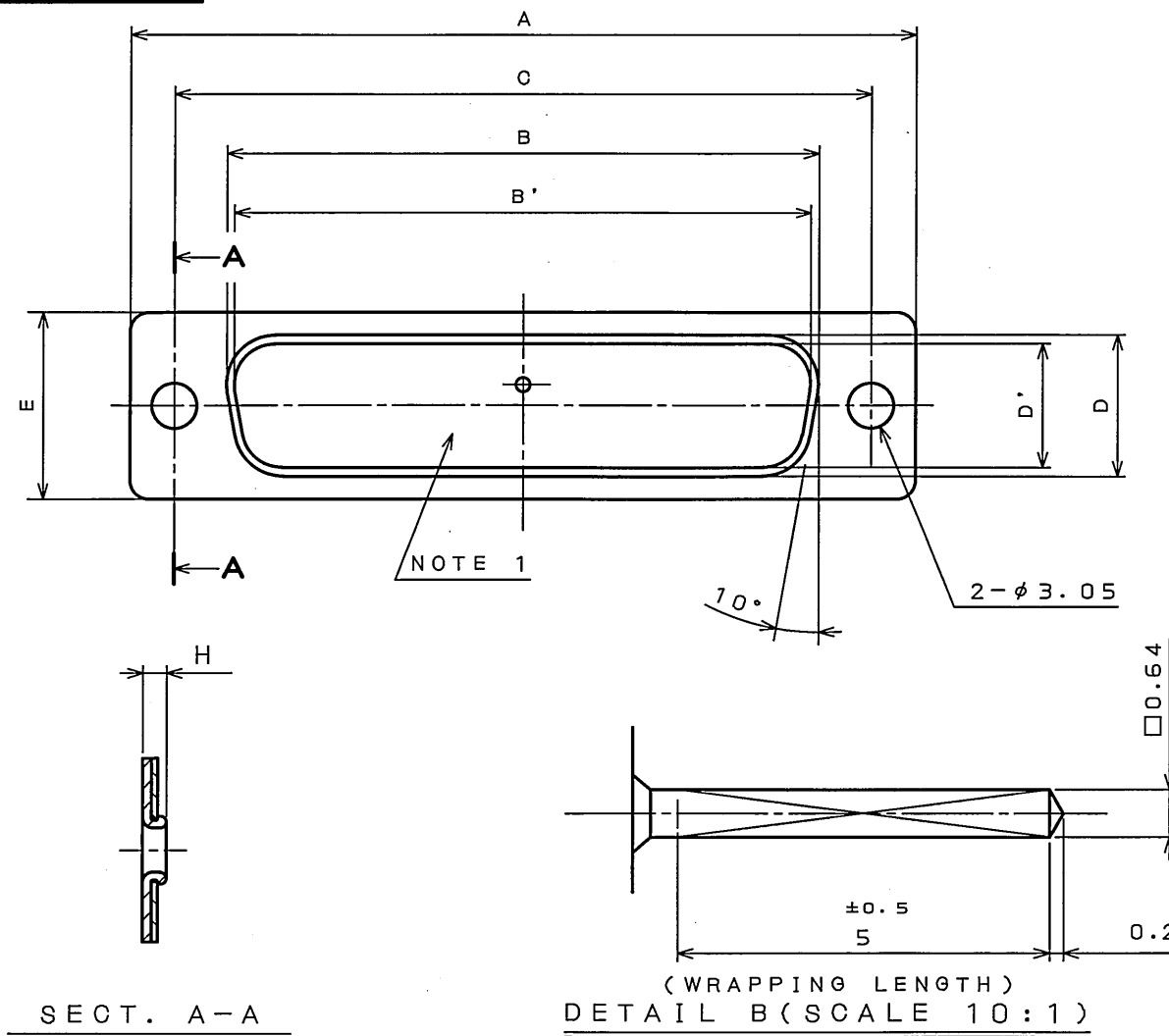


TABLE 1

PART NUMBER	DIMENSION IN MILLIMETERS										No. OF CONTACT
	±0.5 A	±0.25 B	±0.25 B'	±0.13 C	±0.25 D	±0.25 D'	±0.5 E	F	G	H	
DE-9P-RR	30.8		16.90	24.99		8.34	12.6	19.3	10.7	11.2	9
DE-9S-RR	30.8	16.26		24.99	7.82		12.6	19.3	10.7	11.2	
DA-15P-RR	39.1		25.24	33.32		8.34	12.6	27.5	10.7	11.2	15
DA-15S-RR	39.1	24.59		33.32	7.82		12.6	27.5	10.7	11.2	
DB-25P-RR	53.0		39.01	47.04		8.40	12.6	41.3	10.7	11.5	25
DB-25S-RR	53.0	38.30		47.04	7.82		12.6	41.3	10.7	11.2	
DC-37P-RR	69.3		55.47	63.50		8.40	12.6	57.7	10.7	11.5	37
DC-37S-RR	69.3	54.76		63.50	7.82		12.6	57.7	10.7	11.2	
DD-50P-RR	66.9		52.86	61.11		11.16	15.4	55.3	13.9	11.5	50
DD-50S-RR	66.9	52.34		61.11	10.65		15.4	55.3	13.9	11.2	

NOTE 1. MARK THE COMPANY NAME AND ABBREVIATED PART NUMBER AT THE LOCATION SHOWN IN THE DRAWING.

2. FOR CONTACT ARRANGEMENT, SEE DWG. NO. SJ010210.

3. FOR PANEL CUT-OUT DIMENSION, SEE DWG. NO. SJ013596.

4. LOT NUMBER AT THE LOCATION SHOWN IN THE DRAWING.

注1. 図示の位置に社名及び、品名略称を表示する。

2. インサート配列SJ010210を参照のこと。

3. パネル取付寸法はSJ013596を参照のこと。

4. 図示の位置にロット番号を表示する。

符号 NO.	名称 DESCRIPTION	個数 QTY.	材料 MATERIAL	仕上 FINISH	備考 REMARKS
5	CONTACT	TABLE 1	COPPER ALLOY		GOLD PLATING OVER NICKEL
4	REAR INSULATOR	1	GLASS FILLED PBT		(COLOR: BLACK) UL94V-0
3	REAR SHELL	1	STEEL		HEXAVALENT CHROMIUM FREE CHROMATE (TRIVALENT CHROMATE TREATMENT) ON ELECTROPLATED ZINC
2	FRONT INSULATOR	1	GLASS FILLED PBT		(COLOR: BLACK) UL94V-0
1	FRONT SHELL	1	STEEL		HEXAVALENT CHROMIUM FREE CHROMATE (TRIVALENT CHROMATE TREATMENT) ON ELECTROPLATED ZINC

仕様書 (SPECIFICATION) JACS-1045	第1版 (ORIGINAL DATE) 31.Mar.2005	尺度 (SCALE) 2:1	シリーズ (SERIES) Dsub
製図 DR.	担当 CHK. Y.TAKAGI	名称 (TITLE) D※-※※-RR	
公差 (GENERAL TOLERANCE)	査閲 APPD.	質量 (MASS)	
寸法 (DIMENSION)	承認 APPD. Y.KUBOTA	図面番号 (DRAWING NO.) SJ103077	
角度 (ANGLES)		版数 (REV.) 2	

DOF-0-212F(05.08)

