



Chipsmall Limited consists of a professional team with an average of over 10 year of expertise in the distribution of electronic components. Based in Hongkong, we have already established firm and mutual-benefit business relationships with customers from,Europe,America and south Asia,supplying obsolete and hard-to-find components to meet their specific needs.

With the principle of “Quality Parts,Customers Priority,Honest Operation,and Considerate Service”,our business mainly focus on the distribution of electronic components. Line cards we deal with include Microchip,ALPS,ROHM,Xilinx,Pulse,ON,Everlight and Freescale. Main products comprise IC,Modules,Potentiometer,IC Socket,Relay,Connector.Our parts cover such applications as commercial,industrial, and automotives areas.

We are looking forward to setting up business relationship with you and hope to provide you with the best service and solution. Let us make a better world for our industry!



## Contact us

Tel: +86-755-8981 8866 Fax: +86-755-8427 6832

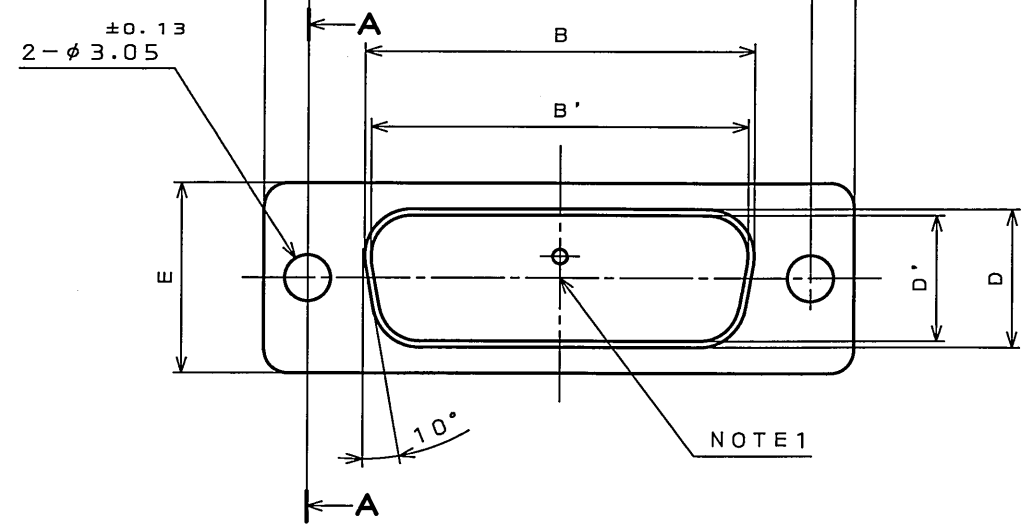
Email & Skype: info@chipsmall.com Web: www.chipsmall.com

Address: A1208, Overseas Decoration Building, #122 Zhenhua RD., Futian, Shenzhen, China



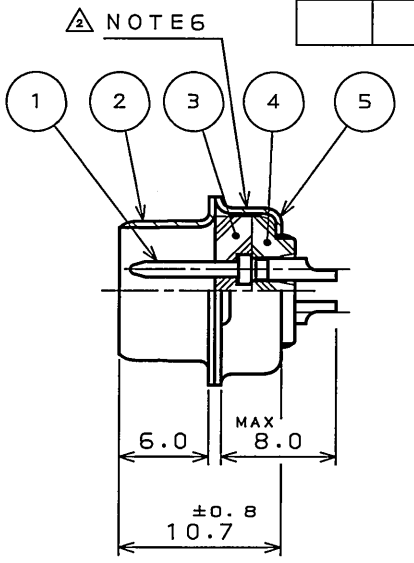
SJ0E01PS  
( 'ON 0NIMVARD)台型図

版数 REV.	年月日 DATE	DCN NO.	変更内容 DESCRIPTION	製図 DR.	担当 CHK.	査閲 APPD.	承認 APPD.
2	13.Oct.2005	058374	REVISED NOTES		Y.TAKA01	A. Jago	J. Kubota

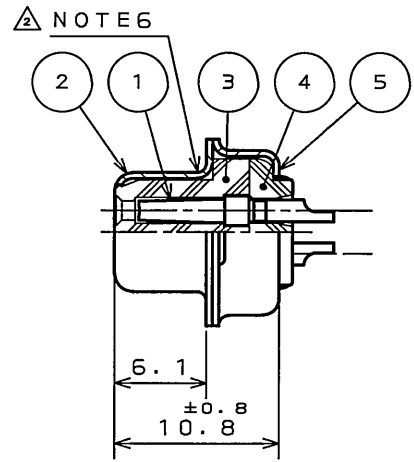
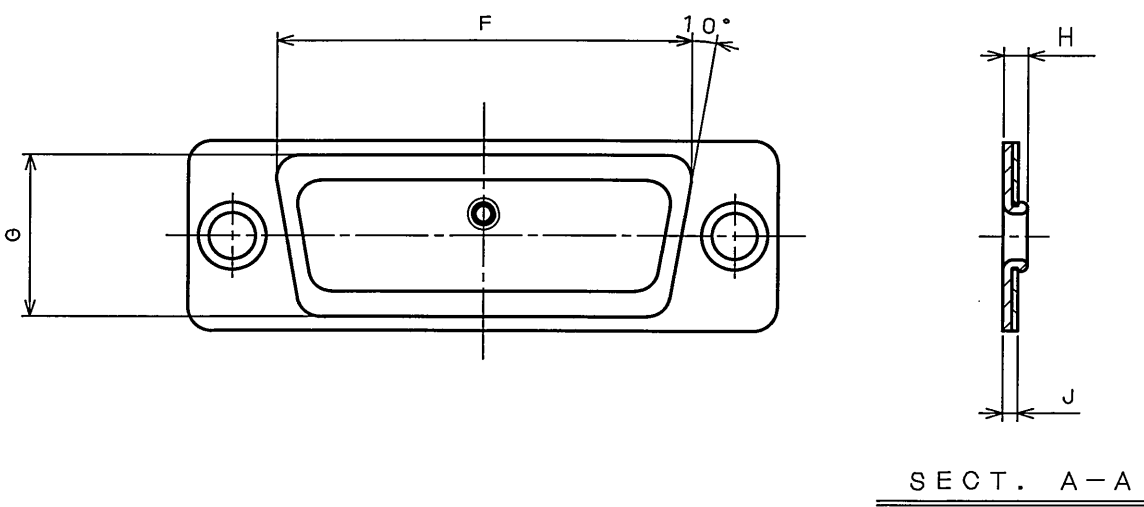


NOTE1. COMPANY LOGO "JAE" AND ABBREVIATION OF PART NUMBER APPEAR IN THE AREA SHOWN.  
 2. APPLICABLE WIRE SIZE : AWG #20MAX. (IN CASE OF STANDARD CONTACT)  
 3. FOR CONTACT ARRANGEMENT, SEE DWG. NO. SJ010210.  
 4. FOR PANEL CUT-OUT DIMENSION, SEE DWG. NO. SJ013596.  
 5. THIS HAS SOLDER TERMINATION TYPE.  
 △ 6. LOT NUMBER AT THE LOCATION SHOWN IN THE DRAWING.

注1. 図示の位置に社名及び品名略称を表示する。  
 2. 本コネクタ用使用電線はAWG#20以下のこと。  
 3. インサート配列はSJ010210を参照のこと。  
 4. パネル取付穴寸法はSJ013596を参照のこと。  
 5. 本コネクタは半田結線タイプコネクタである。  
 △ 6. 図示の位置にロット番号を表示する。



PIN INSERT VERSION  
ピンインサートの場合



SOCKET INSERT VERSION  
ソケットインサートの場合

DESIGNATION  
命名法

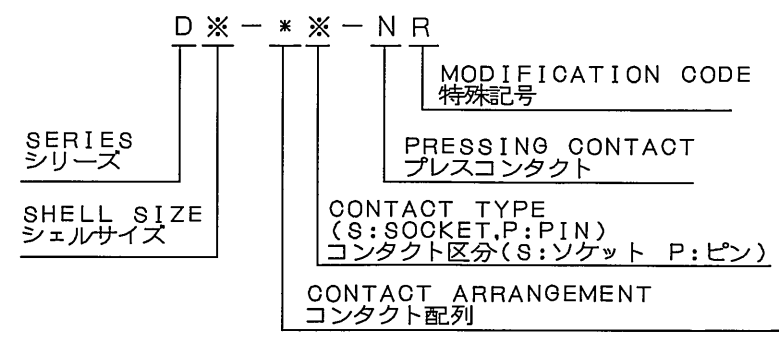


TABLE 1

PART NUMBER	DIMENSION IN MILLIMETERS											NO. OF CONTACT
	±0.5 A	±0.25 B	±0.25 B'	±0.13 C	±0.25 D	±0.25 D'	±0.5 E	F	G	H	J	
DE-9P-NR	30.8	—	16.90	24.99	—	8.34	12.6	19.3	10.7	1.20	0.8	9
DE-9S-NR	30.8	16.26	—	24.99	7.82	—	12.6	19.3	10.7	1.20	0.8	
DA-15P-NR	39.1	—	25.24	33.32	—	8.34	12.6	27.5	10.7	1.20	0.8	15
DA-15S-NR	39.1	24.59	—	33.32	7.82	—	12.6	27.5	10.7	1.20	0.8	
DB-25P-NR	53.0	—	39.01	47.04	—	8.40	12.6	41.3	10.7	1.51	1.0	25
DB-25S-NR	53.0	38.30	—	47.04	7.82	—	12.6	41.3	10.7	1.20	0.8	
DC-37P-NR	69.3	—	55.47	63.50	—	8.40	12.6	57.7	10.7	1.51	1.0	37
DC-37S-NR	69.3	54.76	—	63.50	7.82	—	12.6	57.7	10.7	1.20	0.8	
DD-50P-NR	66.9	—	52.86	61.11	—	11.16	15.4	55.3	13.9	1.51	1.0	50
DD-50S-NR	66.9	52.34	—	61.11	10.65	—	15.4	55.3	13.9	1.20	0.8	

5	REAR SHELL	1	STEEL	HEXAVALENT CHROMIUM FREE CHROMATE (TRIVALENT CHROMATE TREATMENT) ON ELECTROPLATED ZINC	
4	REAR INSULATOR	1	GLASS FILLED PBT (COLOR: BLACK)		UL94V-0
3	FRONT INSULATOR	1	GLASS FILLED PBT (COLOR: BLACK)		UL94V-0
2	FRONT SHELL	1	STEEL	HEXAVALENT CHROMIUM FREE CHROMATE (TRIVALENT CHROMATE TREATMENT) ON ELECTROPLATED ZINC	
1	CONTACT	TABLE 1	COPPER ALLOY	GOLD PLATING	NOTE 3

仕様書 (SPECIFICATION) JACS-1045-5	第1版 (ORIGINAL DATE) 31.Mar.2005	尺度 (SCALE) 2:1	シリーズ (SERIES) D-sub	日本航空電子工業株式会社 JAPAN AVIATION ELECTRONICS INDUSTRY, LTD.
公差 (GENERAL TOLERANCE) 寸法 (DIMENSION) 角度 (ANGLES)	製図 DR. 担当 CHK. Y.TAKA01 査閲 APPD. 承認 APPD. Y.KUBOTA	名称 (TITLE) D * - * * - NR		
. ± . X ±0.4 . XX ±0.13 . XXX ±	X° ±1° X°X' ±	質量 (MASS)	図面番号 (DRAWING NO.) SJ103075	版数 (REV.) 2