



Chipsmall Limited consists of a professional team with an average of over 10 year of expertise in the distribution of electronic components. Based in Hongkong, we have already established firm and mutual-benefit business relationships with customers from,Europe,America and south Asia,supplying obsolete and hard-to-find components to meet their specific needs.

With the principle of “Quality Parts,Customers Priority,Honest Operation,and Considerate Service”,our business mainly focus on the distribution of electronic components. Line cards we deal with include Microchip,ALPS,ROHM,Xilinx,Pulse,ON,Everlight and Freescale. Main products comprise IC,Modules,Potentiometer,IC Socket,Relay,Connector.Our parts cover such applications as commercial,industrial, and automotives areas.

We are looking forward to setting up business relationship with you and hope to provide you with the best service and solution. Let us make a better world for our industry!



Contact us

Tel: +86-755-8981 8866 Fax: +86-755-8427 6832

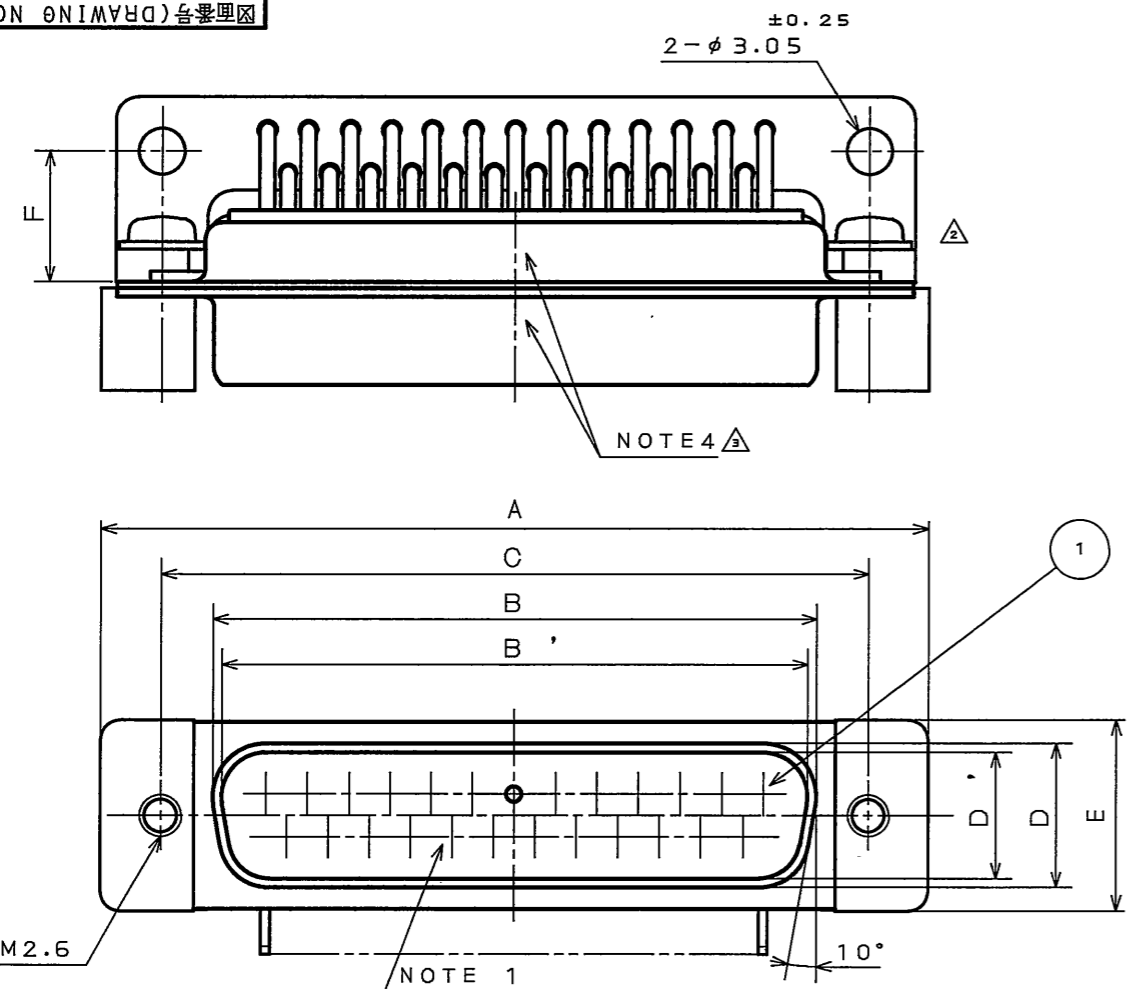
Email & Skype: info@chipsmall.com Web: www.chipsmall.com

Address: A1208, Overseas Decoration Building, #122 Zhenhua RD., Futian, Shenzhen, China



SJ101740
(ON DRAWING)台裏図

版数 REV.	年月日 DATE	DCN NO.	変更内容 DESCRIPTION	製図 DR.	担当 CHK.	査閲 APPD.	承認 APPD.
2	25.Aug.2005	058072	SCREW REVISED FORM		Y.TAKA01		Y.KUBOTA
3	13.Oct.2005	058374	ADD NOTE4		Y.TAKA01	A. Tago	Y.Kubota



DESIGNATION
命名法

SERIES D※-※※A-J4-2R
シリーズ

SHELL SIZE シェルサイズ

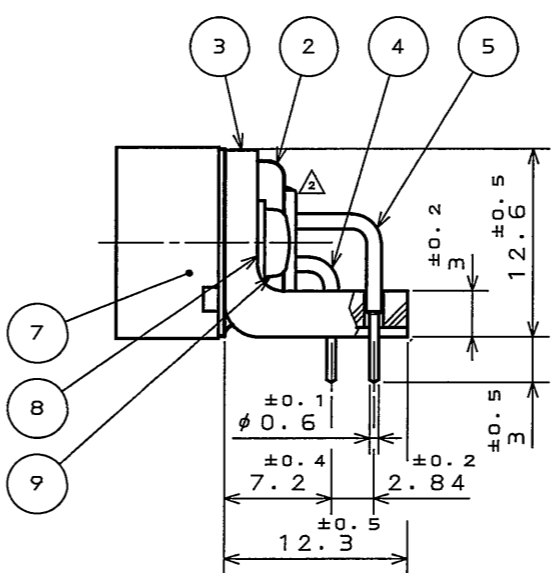
MODIFICATION CODE 特殊記号

ANGLE CONTACT TYPE アングルタイプ

CONTACT TYPE (S: SOCKET, P: PIN) コントクト区分

CONTACT ARRANGEMENT コントクト配列

VIEW OF DA, DB, DC, DE SIZES
DA、DB、DC、DEの場合



VIEW OF DD SIZE
DDの場合

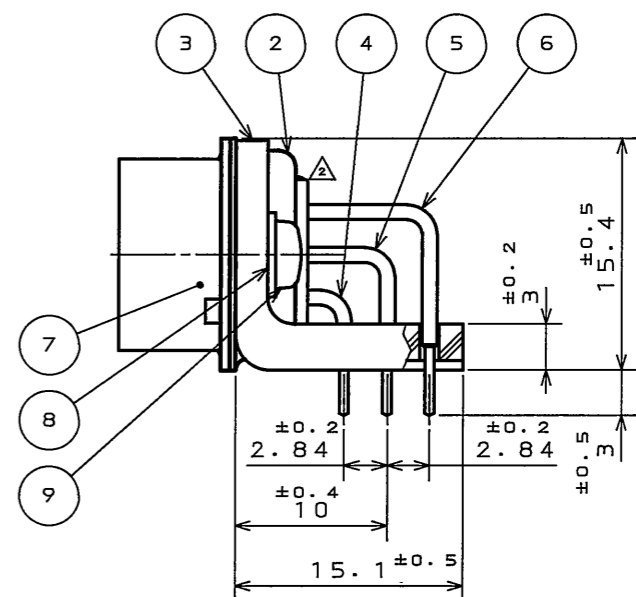


TABLE 1

PART NUMBER	DIMENSION IN MILLIMETERS								NUMBER OF CONTACTS		
	±1 A	±0.25 B	±0.25 B'	+0.2 -0.4 C	±0.25 D	±0.25 D'	±0.5 E	±0.25 F	#1	#2	#3
DE-9PA-J4-2R	33.1	—	16.90	24.99	—	8.34	12.6	8.64	4	5	—
DE-9SA-J4-2R	33.1	16.26	—	24.99	7.82	—	12.6	8.64	4	5	—
DA-15PA-J4-2R	41.4	—	25.24	33.32	—	8.34	12.6	8.64	7	8	—
DA-15SA-J4-2R	41.4	24.59	—	33.32	7.82	—	12.6	8.64	7	8	—
DB-25PA-J4-2R	55.1	—	39.01	47.04	—	8.40	12.6	8.64	12	13	—
DB-25SA-J4-2R	55.1	38.30	—	47.04	7.82	—	12.6	8.64	12	13	—
DO-37PA-J4-2R	71.6	—	55.47	63.50	—	8.40	12.6	8.64	18	19	—
DO-37SA-J4-2R	71.6	54.76	—	63.50	7.82	—	12.6	8.64	18	19	—
DD-50PA-J4-2R	69.2	—	52.86	61.11	—	11.16	15.4	10.03	17	16	17
DD-50SA-J4-2R	69.2	52.34	—	61.11	10.65	—	15.4	10.03	17	16	17

NOTE1. MARK THE COMPANY NAME AND ABBREVIATED PART NUMBER AT THE LOCATION SHOWN IN THE DRAWING.
 2. FOR APPLICABLE P.C.B DIMENSION, SEE DWG. NO. SJ014290.
 3. THIS DRAWING SHOWS NUMBER OF CONTACTS 25. FOR CONTACT ARRANGEMENT, SEE DWG. NO. SJ010210.
 △ 4. LOT NUMBER AT THE LOCATION SHOWN IN THE DRAWING. MARKING LOCATION IS SHOWN ON THE FRONT SHELL FACE FOR SOCKET SIDE, ON THE REAR SHELL FACE FOR PIN SIDE.
 注1. 図示の位置に社名及び、品名略称を表示する。
 2. 本製品の基板取付寸法はSJ014290を参照のこと。
 3. 本図のコンタクト配列は、25芯の場合を示す。その他の配列についてはSJ010210を参照のこと。
 △ 4. 図示の位置にロット番号を表示する。
 表示位置はソケット側がフロントシェル面、ピン側はリアシェル面に表示されている。

符号 NO.	名称 DESCRIPTION	個数 QTY.	材料 MATERIAL	仕上 FINISH	備考 REMARKS
9	CROSS PAN HEAD SCREW	2	COPPER ALLOY	HEXAVALENT CHROMIUM FREE OHROMATE (TRIVALENT OHROMATE TREATMENT) ON ELECTROPLATED ZINC	M2.6 (P=0.45) X 6
8	SPRING WASHER	2	STEEL	HEXAVALENT CHROMIUM FREE OHROMATE (TRIVALENT OHROMATE TREATMENT) ON ELECTROPLATED ZINC	M2.6
7	RECTANGULAR NUT FOR LOCKING	2	COPPER ALLOY	HEXAVALENT CHROMIUM FREE OHROMATE (TRIVALENT OHROMATE TREATMENT) ON ELECTROPLATED ZINC	
6	CONTACT #3	TABLE 1	COPPER ALLOY	GOLD OVER NICKEL PLATING	
5	CONTACT #2	TABLE 1	COPPER ALLOY	GOLD OVER NICKEL PLATING	
4	CONTACT #1	TABLE 1	COPPER ALLOY	GOLD OVER NICKEL PLATING	
3	BRACKET	1	SYNTHETIC RESIN	(COLOR: BLACK)	UL94V-0
2	SHELL	2	STEEL	HEXAVALENT CHROMIUM FREE OHROMATE (TRIVALENT OHROMATE TREATMENT) ON ELECTROPLATED ZINC	
1	INSULATOR	1	PBT	(COLOR: BLACK)	UL94V-0

仕様書 (SPECIFICATION) JACS-1045	第1版 (ORIGINAL DATE) 24.Jun.2005	尺度 (SCALE) 2:1	シリーズ (SERIES) Dsub	日本航空電子工業株式会社 JAE ELECTRONICS INDUSTRY, LTD. 図面番号 (DRAWING NO.) SJ101740	版数 (REV.) 3
製図 DR.	担当 CHK. Y.TAKA01	名称 (TITLE) D※-※※A-J4-2R			
査閲 APPD.	承認 APPD. Y.KUBOTA	質量 (MASS)			

DOF-O-212F(05.08)

