



Chipsmall Limited consists of a professional team with an average of over 10 year of expertise in the distribution of electronic components. Based in Hongkong, we have already established firm and mutual-benefit business relationships with customers from,Europe,America and south Asia,supplying obsolete and hard-to-find components to meet their specific needs.

With the principle of “Quality Parts,Customers Priority,Honest Operation,and Considerate Service”,our business mainly focus on the distribution of electronic components. Line cards we deal with include Microchip,ALPS,ROHM,Xilinx,Pulse,ON,Everlight and Freescale. Main products comprise IC,Modules,Potentiometer,IC Socket,Relay,Connector.Our parts cover such applications as commercial,industrial, and automotives areas.

We are looking forward to setting up business relationship with you and hope to provide you with the best service and solution. Let us make a better world for our industry!



## Contact us

Tel: +86-755-8981 8866 Fax: +86-755-8427 6832

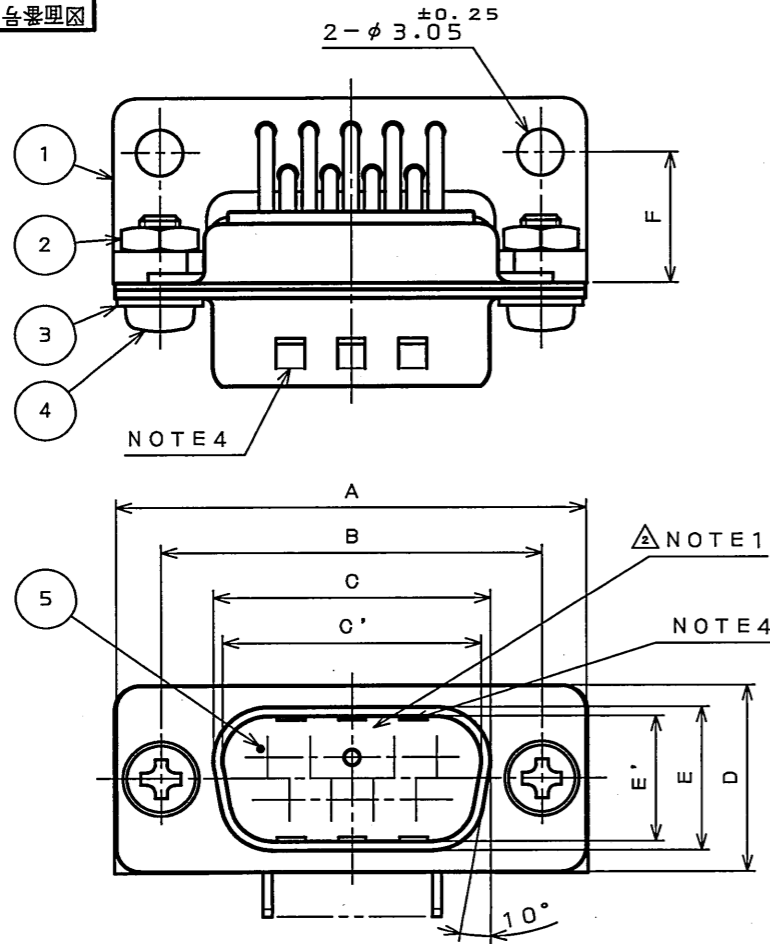
Email & Skype: info@chipsmall.com Web: www.chipsmall.com

Address: A1208, Overseas Decoration Building, #122 Zhenhua RD., Futian, Shenzhen, China



680810RS

( 'ON 0NIMVAD)台要理図



版数 REV.	年月日 DATE	DCN NO.	変更内容 DESCRIPTION	製図 DR.	担当 CHK.	査閲 APPD.	承認 APPD.
2	21.Mar.1997	39728	REDRAWN.	S.MURAMOTO	Y.HAYASHI		H.SAITOU
3	4.Dec.1997	41093	REVISED TABLE1.	M.ABE	Y.OSANAI	Y.HAYASHI	H.SAITOU
4	24.Dec.1997	41199	REVISED NOTE 1	H.SAKURADA		Y.HAYASHI	H.SAITOU
5	16.May.2008	065705	CORRECT AN ERROR		Y.TAKA01	<i>Y. Takagi</i>	<i>J. Otauka</i>

DESIGNATION

命名法

D \* - ※ \* A F - N  
 SERIES シリーズ  
 SHELL SIZE シェルサイズ

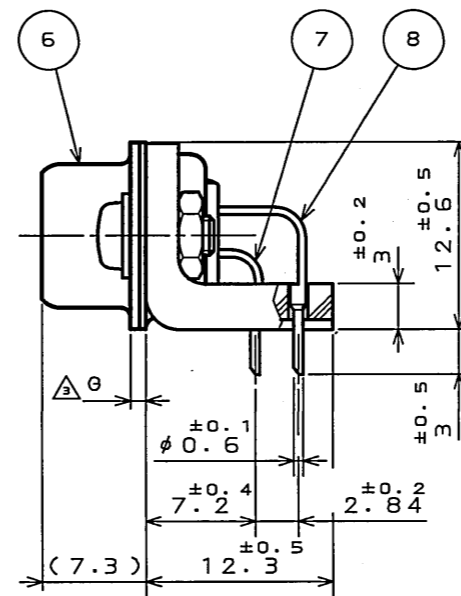
MODIFICATION CODE  
 特殊記号

CONTACT TYPE (S: SOCKET, P: PIN)  
 コントクト区分

CONTACT ARRANGEMENT  
 コントクト配列

VIEW OF DA, DB, DC, DE SIZES

DA, DB, DC, DE の場合



VIEW OF DD SIZE

DD の場合

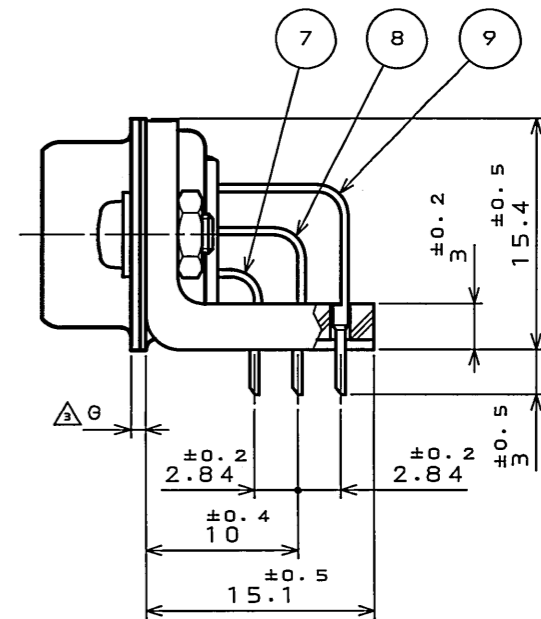


TABLE 1

PART NUMBER	DIMENSION IN MILLIMETERS									NUMBER OF CONTACTS						
	±0.5 A	±0.13 B	±0.25 C	±0.25 C'	±0.25 D	±0.25 E	±0.25 E'	±0.25 F	±0.25 G	PIN			SOCKET			
DE-9PAF-N	31.1	24.99	—	16.90	12.6	—	8.34	8.64	0.8	#4	#5	—	—	—	—	—
DE-9SAF-N	31.1	24.99	16.26	—	12.6	7.82	—	8.64	0.8	—	—	—	#4	#5	—	—
DA-15PAF-N	39.4	33.32	—	25.24	12.6	—	8.34	8.64	0.8	#7	#8	—	—	—	—	—
DA-15SAF-N	39.4	33.32	24.59	—	12.6	7.82	—	8.64	0.8	—	—	—	#7	#8	—	—
DB-25PAF-N	53.1	47.04	—	39.01	12.6	—	8.40	8.64	1.0	#12	#13	—	—	—	—	—
DB-25SAF-N	53.1	47.04	38.30	—	12.6	7.82	—	8.64	0.8	—	—	—	#12	#13	—	—
DC-37PAF-N	69.6	63.5	—	55.47	12.6	—	8.40	8.64	1.0	#18	#19	—	—	—	—	—
DC-37SAF-N	69.6	63.5	54.76	—	12.6	7.82	—	8.64	0.8	—	—	—	#18	#19	—	—
DD-50PAF-N	67.2	61.11	—	52.86	15.4	—	11.16	10.03	1.0	#17	#16	#17	—	—	—	—
DD-50SAF-N	67.2	61.11	52.34	—	15.4	10.65	—	10.03	0.8	—	—	—	#17	#16	#17	—

- △△ NOTE1. MARK THE COMPANY NAME AND ABBREVIATED PART NUMBER AT THE LOCATION SHOWN IN THE DRAWING.  
 2. FOR APPLICABLE P.C.B. DIMENSION, SEE DWG. NO. SJ014290.  
 3. THIS DRAWING SHOWS NUMBER OF CONTACTS 9.  
 FOR CONTACT ARRANGEMENT, SEE DWG. NO. SJ010210.  
 4. IN CASE OF PIN CONNECTORS, NIBS EXIST ON FACE OF FRONT SHELL.

- 注 1. 図示の位置に社名及び、品名略称を表示する。  
 2. 本製品の基板取付寸法は、SJ014290を参照のこと。  
 3. 本図のコンタクト配列は、9芯の場合を示す。  
 その他の配列についてはSJ010210を参照のこと。  
 4. ピンコネクタについてはフロントシェル面に「ダボ」が付いている。

符号 NO.	名称 DESCRIPTION	個数 QTY.	材料 MATERIAL	仕上 FINISH	備考 REMARKS
9	CONTACT #3	TABLE1	COPPER ALLOY	GOLD OVER NICKEL PLATING	
8	CONTACT #2	TABLE1	COPPER ALLOY	GOLD OVER NICKEL PLATING	
7	CONTACT #1	TABLE1	COPPER ALLOY	GOLD OVER NICKEL PLATING	
6	SHELL	2	STEEL	NICKEL PLATING	
5	INSULATOR	2	PBT	(COLOR: BLACK)	UL94V-0
4	PAN HEAD MACHINE SCREW	2	COPPER ALLOY	NICKEL PLATING	M2.6
3	SPRING WASHER	2	STEEL	NICKEL PLATING	M2.6
2	HEXAGON NUT	2	COPPER ALLOY	NICKEL PLATING	M2.6
1	BRACKET	1	SYNTHETIC RESIN	(COLOR: BLACK)	UL94V-0

仕様書 (SPECIFICATION)	第1版 (ORIGINAL DATE)	尺度 (SCALE)	シリーズ (SERIES)	日本航空電子工業株式会社 JAPAN AVIATION ELECTRONICS INDUSTRY, LTD. 図面番号 (DRAWING NO.)	版数 (REV.)
JACS-1045-5	26.Mar.1983	2:1	Dsub		
一般公差 (GENERAL TOLERANCE)	製図 DR.	名称 (TITLE)			
寸法 (DIMENSION)	担当 CHK.	D * - ※ * A F - N			
角度 (ANGLES)	査閲 APPD.			質量 (MASS)	
. ±0.8	×° ±				
.X ±0.4	×°X ±				
.XX ±0.1					
.XXX ±					

DOF-0-212F(05.08)

