



Chipsmall Limited consists of a professional team with an average of over 10 year of expertise in the distribution of electronic components. Based in Hongkong, we have already established firm and mutual-benefit business relationships with customers from,Europe,America and south Asia,supplying obsolete and hard-to-find components to meet their specific needs.

With the principle of “Quality Parts,Customers Priority,Honest Operation,and Considerate Service”,our business mainly focus on the distribution of electronic components. Line cards we deal with include Microchip,ALPS,ROHM,Xilinx,Pulse,ON,Everlight and Freescale. Main products comprise IC,Modules,Potentiometer,IC Socket,Relay,Connector.Our parts cover such applications as commercial,industrial, and automotives areas.

We are looking forward to setting up business relationship with you and hope to provide you with the best service and solution. Let us make a better world for our industry!



Contact us

Tel: +86-755-8981 8866 Fax: +86-755-8427 6832

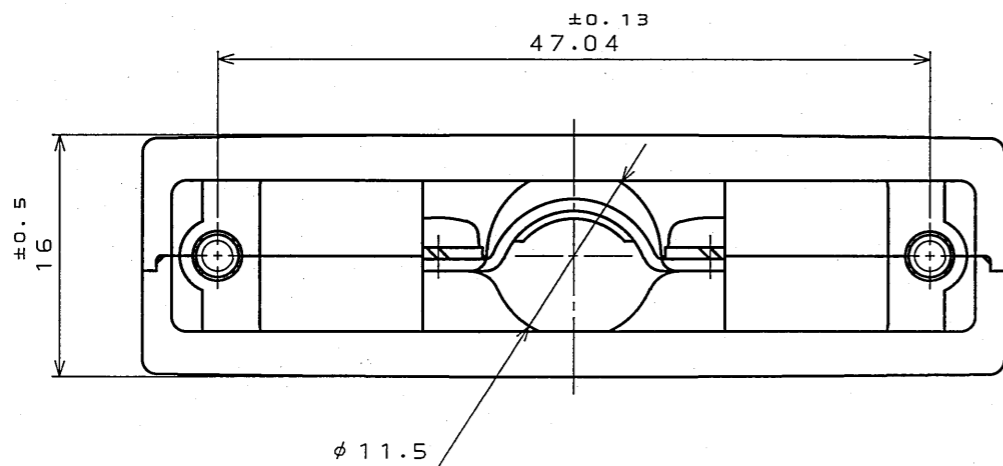
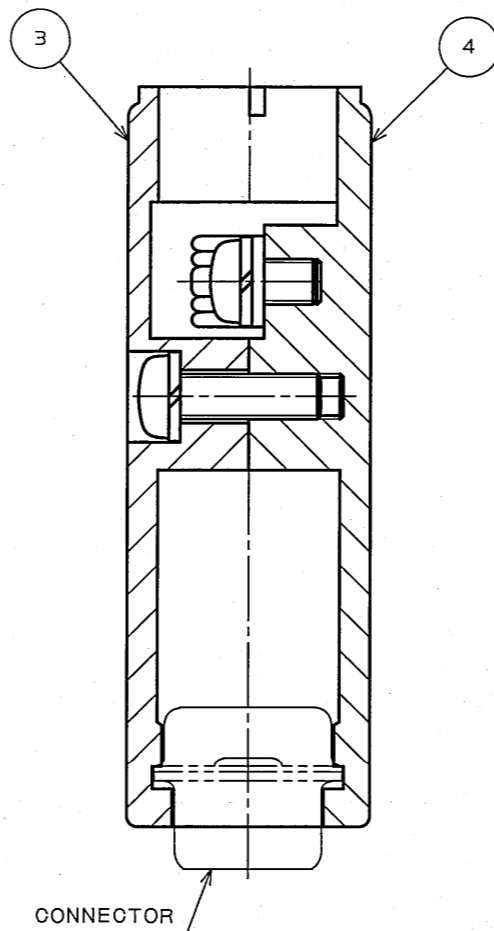
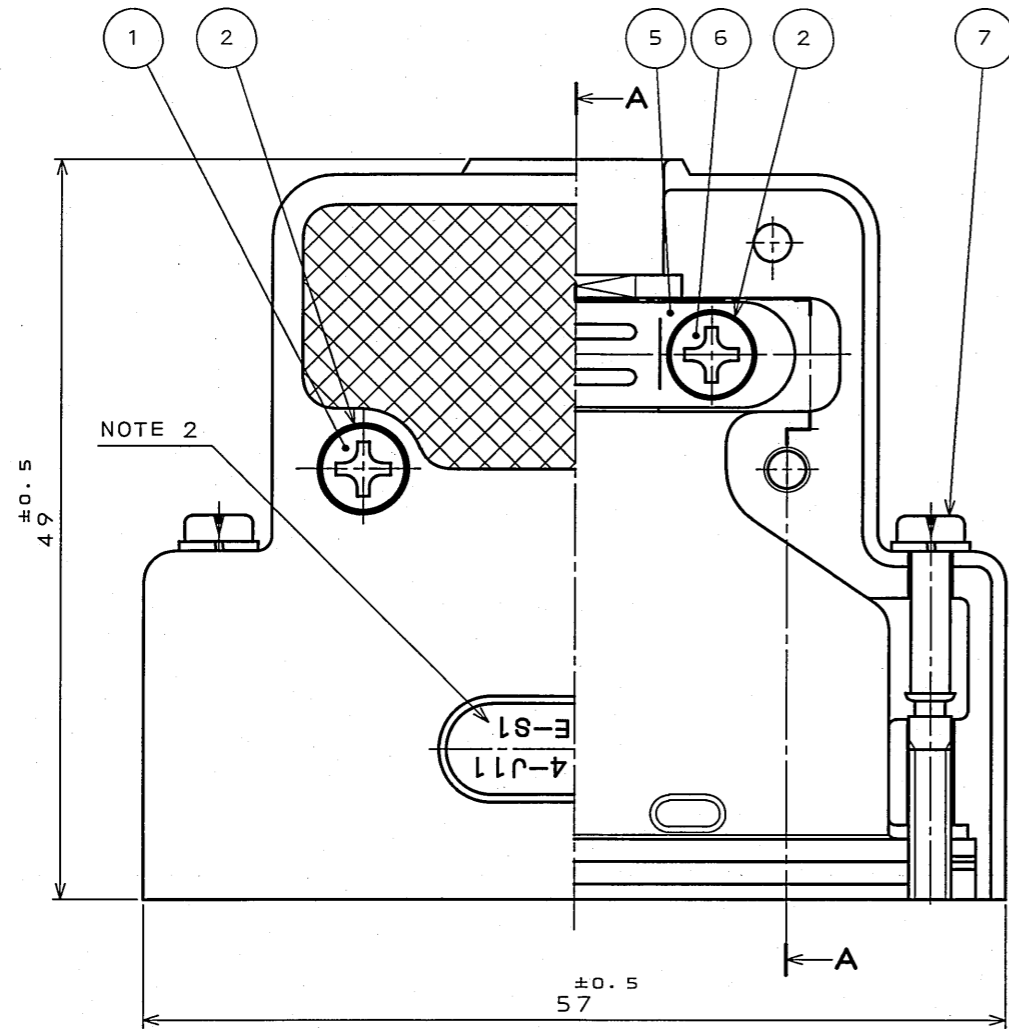
Email & Skype: info@chipsmall.com Web: www.chipsmall.com

Address: A1208, Overseas Decoration Building, #122 Zhenhua RD., Futian, Shenzhen, China



E8081083
(ON ENIMVHD)号要図

版数 REV.	年月日 DATE	DCN NO.	変更内容 DESCRIPTION	製図 DR.	担当 CHK.	査閲 APPD.	承認 APPD.
7	30.Jun.2005	057603	REDRAWN	H.SAKURADA	T.NOMIYAMA	—	<i>J. Kubota</i>



NOTE 1. APPLICABLE CABLE DIAMETER SHALL BE $\phi 9 \sim \phi 11.5$.
CABLE DIAMETER SHOWN HERE IS WHEN THE SHIELD IS BENT.
2. "-S1" IN THE PART NUMBER IS MARKED.

注1. 適用ケーブル径範囲は $\phi 9$ 以上 $\sim \phi 11.5$ 以下迄とする。
尚、ケーブル径についてはシールドを折り返した時の寸法を示す。
2. 品名表示の"-S1"は捺印表示とする。

符号 NO.	名称 DESCRIPTION	個数 QTY.	材料 MATERIAL	仕上 FINISH	備考 REMARKS
7	SPRING WASHER	2	STEEL	NICKEL PLATING	M3
7	SCREW LOCK	2	STEEL	NICKEL PLATING	#4-40UNC
6	CROSS PAN HEAD SCREW	2	STEEL	NICKEL PLATING	M3X5
5	CLAMP SADDLE	1	STEEL	NICKEL PLATING	
4	HOOD(LOWER)	1	ALUMINUM DIECAST	SATIN NICKEL PLATING	
3	HOOD(UPPER)	1	ALUMINUM DIECAST	SATIN NICKEL PLATING	
2	SPRING WASHER	4	STEEL	NICKEL PLATING	
1	CROSS PAN HEAD SCREW	2	BRASS	NICKEL PLATING	M3X10

仕様書 (SPECIFICATION) T83-4 Δ	第1版 (ORIGINAL DATE) 1.Mar.1983	尺度 (SCALE) 2:1	シリーズ (SERIES) D-sub	日本航空電子工業株式会社 JAPAN AVIATION ELECTRONICS INDUSTRY, LTD.
公差 (GENERAL TOLERANCE)	製図 (DR.) KOMATSU	名称 (TITLE) DB-C4-J11-S1		
寸法 (DIMENSION)	担当 (CHK.) TASHIRO	質量 (MASS)		
角度 (ANGLES)	査閲 (APPD.) 承認 (APPD.) KANEDA	図面番号 (DRAWING NO.) SJ018083		
· ±	×° ±	質量 (MASS)		版数 (REV.) 7
· X ±0.5	· X° ±			
· XX ±	· XX° ±			
· XXX ±	· XXX° ±			

DOF-0-212E(03.08)

