



Chipsmall Limited consists of a professional team with an average of over 10 year of expertise in the distribution of electronic components. Based in Hongkong, we have already established firm and mutual-benefit business relationships with customers from,Europe,America and south Asia,supplying obsolete and hard-to-find components to meet their specific needs.

With the principle of “Quality Parts,Customers Priority,Honest Operation,and Considerate Service”,our business mainly focus on the distribution of electronic components. Line cards we deal with include Microchip,ALPS,ROHM,Xilinx,Pulse,ON,Everlight and Freescale. Main products comprise IC,Modules,Potentiometer,IC Socket,Relay,Connector.Our parts cover such applications as commercial,industrial, and automotives areas.

We are looking forward to setting up business relationship with you and hope to provide you with the best service and solution. Let us make a better world for our industry!



Contact us

Tel: +86-755-8981 8866 Fax: +86-755-8427 6832

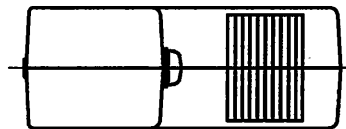
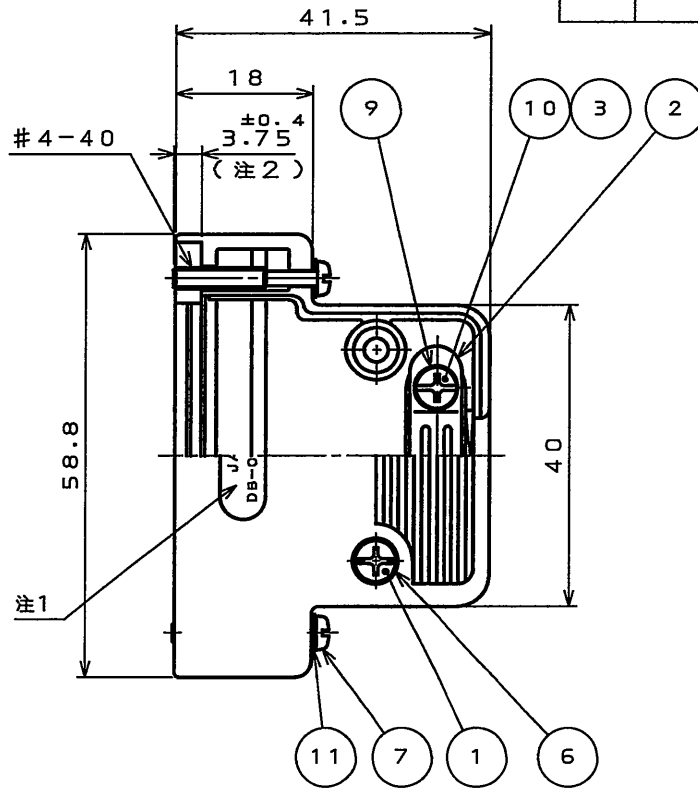
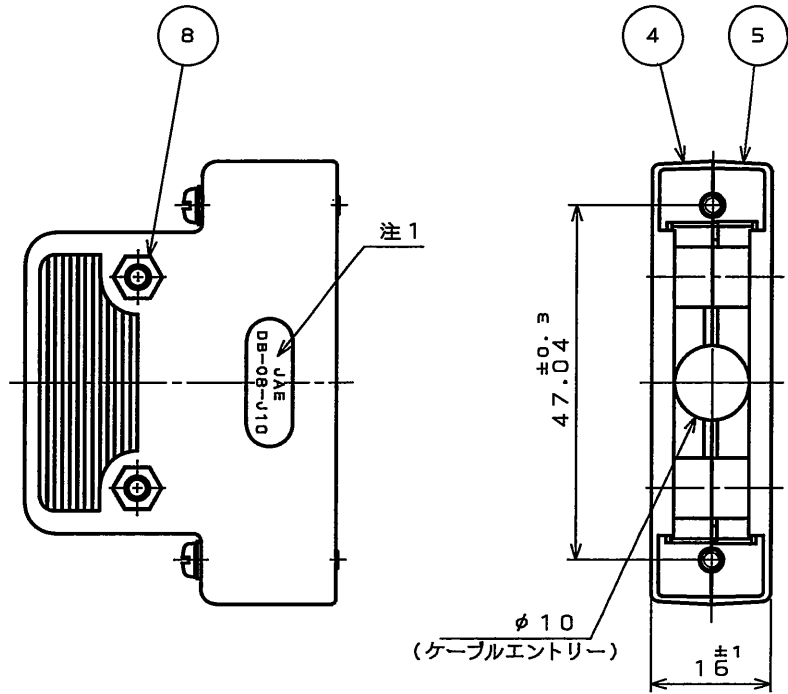
Email & Skype: info@chipsmall.com Web: www.chipsmall.com

Address: A1208, Overseas Decoration Building, #122 Zhenhua RD., Futian, Shenzhen, China



SJ103459
(図面番号(DRAWING NO.))

| 版数 REV. | 年月日 DATE | DCN NO. | 変更内容 DESCRIPTION | 製図 DR. | 担当 CHK. | 査閲 APPD. | 承認 APPD. |
|------------|-------------|---------|---------------------|-----------|------------|-------------|-------------|
| | | | | | | | |
| | | | | | | | |



| 符号 NO. | 名称 DESCRIPTION | 個数 QTY. | 材料 MATERIAL | 仕上 FINISH | 備考 REMARKS |
|-----------|--------------------|------------|----------------|--------------|---------------|
| 11 | 平座金 | 2 | 鋼 | ニッケルメッキ | M2.6 |
| 10 | プラスマイナス兼用 ナベ小ネジ | 2 | 鋼 | ニッケルメッキ | M3×6 |
| 9 | パネ座金 | 2 | 鋼 | ニッケルメッキ | M3 |
| 8 | 六角ナット | 2 | 鋼 | ニッケルメッキ | M3 |
| 7 | 嵌合固定ネジ | 2 | 鋼 | ニッケルメッキ | プラス・マイナス兼用 |
| 6 | 平座金 | 2 | 鋼 | ニッケルメッキ | M3 |
| 5 | フードB | 1 | ABS樹脂 | (色相:黒) | シボ加工 |
| 4 | フードA | 1 | ABS樹脂 | (色相:黒) | シボ加工 |
| 3 | インサート | 2 | 銅合金 | ニッケルメッキ | — |
| 2 | クランプサドル | 1 | 鋼 | ニッケルメッキ | — |
| 1 | プラスマイナス兼用 ナベ小ネジ | 2 | 鋼 | ニッケルメッキ | M3×12 |

注1. 図示の位置に社標及び、品名を表示する。
ただし、「-B2-1R」は表示されない。

2. この寸法はネジの出張り量を表す。

| | | | | |
|-----------------------|---------------------------------|------------------------------|-----------------------|---|
| 仕様書(SPECIFICATION) | 第1版(ORIGINAL DATE) 2005.7.13 | 尺度(SOALE) 1:1 | シリーズ(SERIES) D-sub | 日本航空電子工業株式会社 JAPAN AVIATION ELECTRONICS INDUSTRY, LTD. |
| 製図 DR. | 担当 CHK. 高木(洋) | 名称(TITLE) DB-C8-J10-B2-1R | | |
| 公差(GENERAL TOLERANCE) | 製図 CHK. | 製図 APPD. | 承認 APPD. | 図面番号(DRAWING NO.) SJ103459 |
| 寸法(DIMENSION) | 角度(ANGLES) | 承認 APPD. | 質量(MASS) | |
| . ±0.8 | ×° ± | 承認 APPD. | 質量(MASS) | 版数 (REV.) 1 |
| .X ±0.4 | ××° ± | 承認 APPD. | 質量(MASS) | |
| .XX ±0.1 | ×××° ± | 承認 APPD. | 質量(MASS) | |
| .XXX ± | | 承認 APPD. | 質量(MASS) | |