



Chipsmall Limited consists of a professional team with an average of over 10 year of expertise in the distribution of electronic components. Based in Hongkong, we have already established firm and mutual-benefit business relationships with customers from,Europe,America and south Asia,supplying obsolete and hard-to-find components to meet their specific needs.

With the principle of “Quality Parts,Customers Priority,Honest Operation,and Considerate Service”,our business mainly focus on the distribution of electronic components. Line cards we deal with include Microchip,ALPS,ROHM,Xilinx,Pulse,ON,Everlight and Freescale. Main products comprise IC,Modules,Potentiometer,IC Socket,Relay,Connector.Our parts cover such applications as commercial,industrial, and automotives areas.

We are looking forward to setting up business relationship with you and hope to provide you with the best service and solution. Let us make a better world for our industry!



Contact us

Tel: +86-755-8981 8866 Fax: +86-755-8427 6832

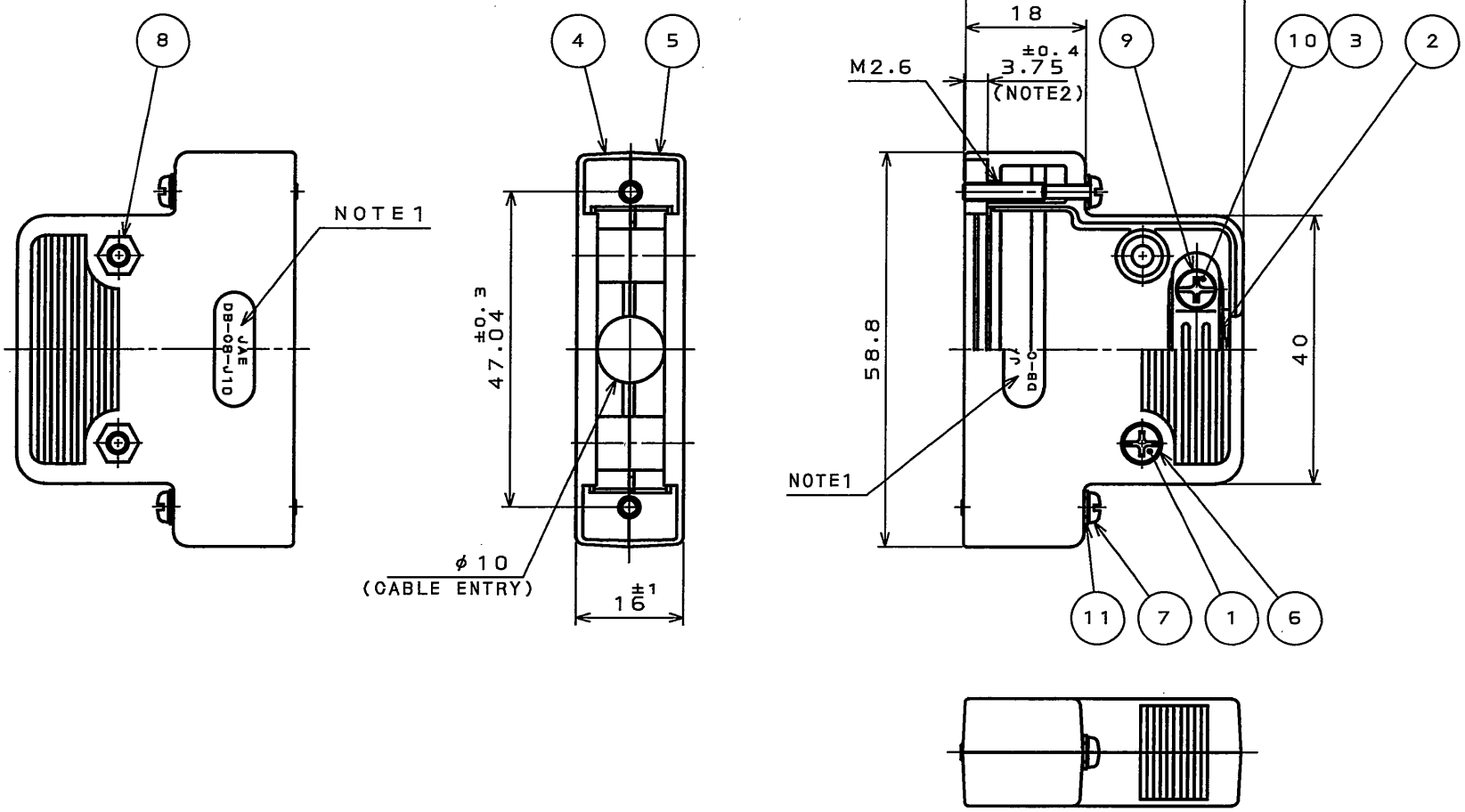
Email & Skype: info@chipsmall.com Web: www.chipsmall.com

Address: A1208, Overseas Decoration Building, #122 Zhenhua RD., Futian, Shenzhen, China



SJ103212
(DRAWING NO.) 台架図

版数 REV.	年月日 DATE	DCN NO.	変更内容 DESCRIPTION	製図 DR.	担当 CHK.	査閲 APPD.	承認 APPD.



NOTE1. JAE LOGO AND PRODUCT NAME, EXCEPT 「-F1-1R」 MARK, IS TO BE INDICATED AT THE POSITION AS SHOWN.
2. THIS DIMENSION MEANS THE PROTRUDED AMOUNTS OF THE SCREW.

注1. 図示の位置に社標及び、品名を表示する。
ただし、「-F1-1R」は表示されない。
2. この寸法はネジの出張り量を表す。

符号 NO.	名称 DESCRIPTION	個数 QTY.	材料 MATERIAL	仕上 FINISH	備考 REMARKS
11	FLAT WASHER	2	STEEL	NICKEL PLATED	M2.6
10	SCREW(SLOTTED AND GROSS RECESSED HEAD)	2	STEEL	NICKEL PLATED	M3 X 6
9	SPRING LOCK WASHER	2	STEEL	NICKEL PLATED	M3
8	HEX NUT	2	STEEL	NICKEL PLATED	M3
7	LOCKING SCREW	2	STEEL	NICKEL PLATED	—
6	FLAT WASHER	2	STEEL	NICKEL PLATED	M3
5	HOOD B	1	ABS	NICKEL PLATED	—
4	HOOD A	1	ABS	NICKEL PLATED	—
3	INSERT	2	COPPER ALLOY	NICKEL PLATED	—
2	CLAMP SADDLE	1	STEEL	NICKEL PLATED	—
1	SCREW(SLOTTED AND GROSS RECESSED HEAD)	2	STEEL	NICKEL PLATED	M3 X 12

仕様書(SPECIFICATION)	第1版(ORIGINAL DATE) 13.Jul.2005	尺度(SOALE) 1:1	シリーズ(SERIES) D-sub	日本航空電子工業株式会社 JAPAN AVIATION ELECTRONICS INDUSTRY, LTD.
製図 DR.	担当 CHK. Y.TAKAGI	名称(TITLE) DB-C8-J10-F1-1R		
公差(GENERAL TOLERANCE)	製図 DR.	製図 DR.		図面番号(DRAWING NO.) SJ103212
寸法(DIMENSION)	製図 DR.	製図 DR.		
角度(ANGLES)	製図 DR.	製図 DR.		版数(REV.) 1
. ±0.5	° ±	製図 DR.		質量(MASS)
.X ±0.5	°X ±	製図 DR.		
.XX ±		製図 DR.		
.XXX ±		製図 DR.		

DOF-0-212E(03.08)

