



Chipsmall Limited consists of a professional team with an average of over 10 year of expertise in the distribution of electronic components. Based in Hongkong, we have already established firm and mutual-benefit business relationships with customers from,Europe,America and south Asia,supplying obsolete and hard-to-find components to meet their specific needs.

With the principle of “Quality Parts,Customers Priority,Honest Operation,and Considerate Service”,our business mainly focus on the distribution of electronic components. Line cards we deal with include Microchip,ALPS,ROHM,Xilinx,Pulse,ON,Everlight and Freescale. Main products comprise IC,Modules,Potentiometer,IC Socket,Relay,Connector.Our parts cover such applications as commercial,industrial, and automotives areas.

We are looking forward to setting up business relationship with you and hope to provide you with the best service and solution. Let us make a better world for our industry!



## Contact us

Tel: +86-755-8981 8866 Fax: +86-755-8427 6832

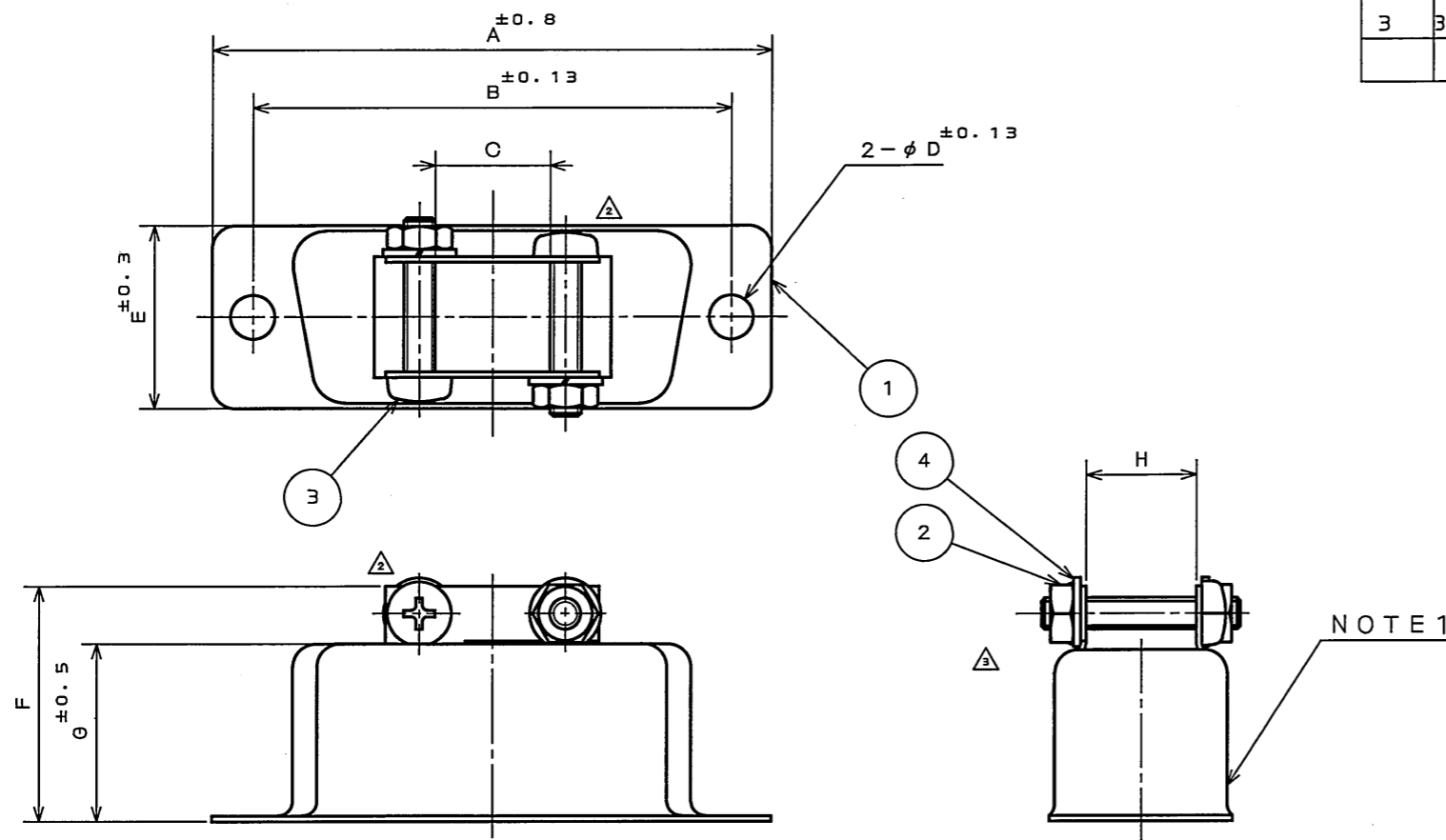
Email & Skype: info@chipsmall.com Web: www.chipsmall.com

Address: A1208, Overseas Decoration Building, #122 Zhenhua RD., Futian, Shenzhen, China

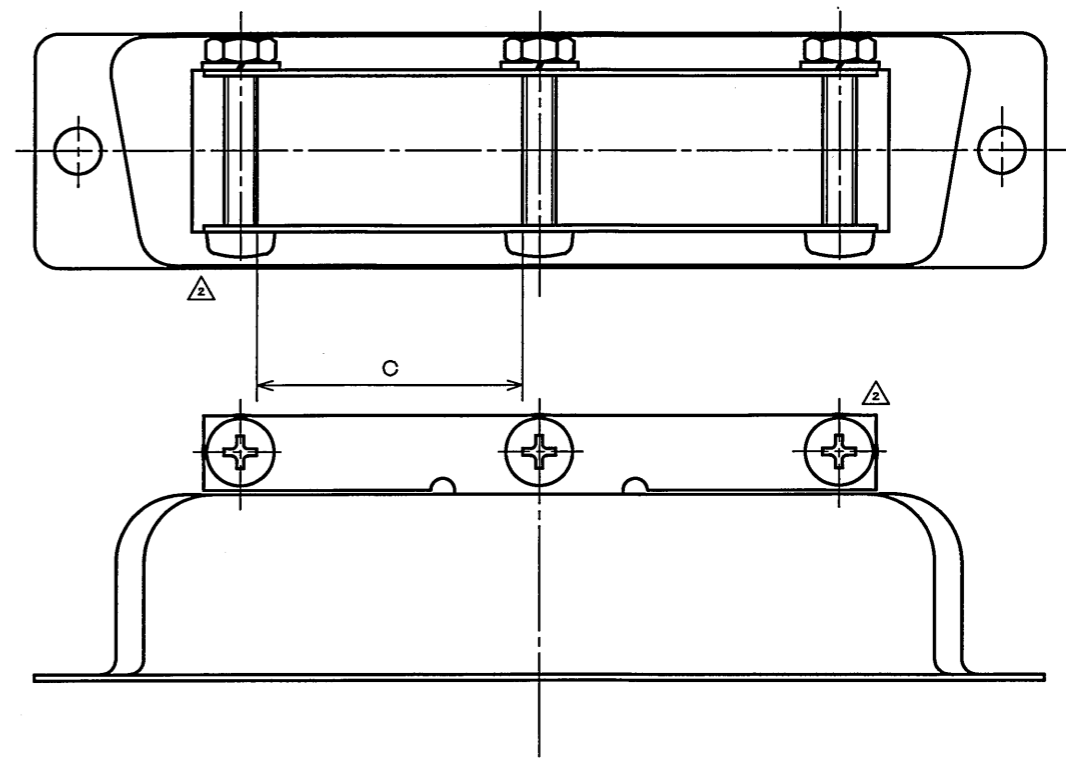


SJ102264  
(図面番号)(DRAWING NO.)

| 版数<br>REV. | 年月日<br>DATE | DCN NO. | 変更内容<br>DESCRIPTION          | 製図<br>DR. | 担当<br>CHK. | 査閲<br>APPD. | 承認<br>APPD.      |
|------------|-------------|---------|------------------------------|-----------|------------|-------------|------------------|
| 2          | 25.Aug.2005 | 058072  | SCREW REVISED FORM<br>OTHERS |           | Y.TAKA01   |             | Y.KUBOTA         |
| 3          | 30.Sep.2005 | 058348  | DELETE NOTE 1                |           | Y.TAKA01   | A. Tago     | <i>Y. Kubota</i> |



DE, DA, DB TYPE



DC, DD TYPE

TABLE 1

| PART NUMBER<br>品名 | A    | B     | C    | D    | E    | F    | G    | H   | SCREW Q'TY<br>ネジ類数量 |
|-------------------|------|-------|------|------|------|------|------|-----|---------------------|
| DA19678-1R        | 38.9 | 33.32 | 7.9  | 3.05 | 12.7 | 16.3 | 12.3 | 7.5 | 2                   |
| DB19678-2R        | 52.8 | 47.04 | 20.2 | 3.05 | 12.7 | 16.3 | 12.3 | 7.5 | 2                   |
| DC19678-3R        | 69.1 | 63.50 | 17.5 | 3.05 | 12.7 | 16.3 | 12.3 | 7.5 | 3                   |
| DD19678-4R        | 66.7 | 61.11 | 17.5 | 3.05 | 15.5 | 17.5 | 12.3 | 9.5 | 3                   |
| DE19678-5R        | 30.6 | 24.99 | 7.2  | 3.05 | 12.7 | 16.3 | 12.3 | 7.5 | 2                   |

△ NOTE 1. COMPANY LOGO "JAE" AND PART NUMBER APPEAR IN THE AREA SHOWN. 「R」 IS NOT MARKED ON CONNECTOR.

注 1. 図示の位置に社名及び品名を表示する。ただし、品名末尾の「R」は表示されない。

|   |                      |         |       |  |       |
|---|----------------------|---------|-------|--|-------|
| 4 | SPRING WASHER        | TABLE 1 | STEEL | HEXAVALENT CHROMIUM FREE CHROMATE (TRIVALENT CHROMATE TREATMENT) ON ELECTROPLATED ZINC | M2.6  |
| 3 | CROSS PAN HEAD SCREW | TABLE 1 | STEEL | HEXAVALENT CHROMIUM FREE CHROMATE (TRIVALENT CHROMATE TREATMENT) ON ELECTROPLATED ZINC | #2-56 |
| 2 | HEXAGON NUT          | TABLE 1 | STEEL | HEXAVALENT CHROMIUM FREE CHROMATE (TRIVALENT CHROMATE TREATMENT) ON ELECTROPLATED ZINC | #2-56 |
| 1 | JUNCTION SHELL       | 1       | STEEL | HEXAVALENT CHROMIUM FREE CHROMATE (TRIVALENT CHROMATE TREATMENT) ON ELECTROPLATED ZINC |       |

| 符号<br>NO.              | 名称<br>DESCRIPTION | 個数<br>QTY.          | 材料<br>MATERIAL | 仕上<br>FINISH    | 備考<br>REMARKS |
|------------------------|-------------------|---------------------|----------------|-----------------|---------------|
| 仕様書 (SPECIFICATION)    |                   | 第1版 (ORIGINAL DATE) |                | 尺度 (SCALE)      | シリーズ (SERIES) |
| 公差 (GENERAL TOLERANCE) |                   | 16.May.2005         |                | 2:1             | Dsub          |
| 寸法 (DIMENSION)         |                   | 製図 DR.              |                | 名称 (TITLE)      |               |
| 角度 (ANGLES)            |                   | 担当 CHK. T.NOMIYAMA  |                | D * 19678 - * R |               |
| . ± 0.8                |                   | 製図 DR.              |                | 製図 DR.          |               |
| .X ± 0.4               |                   | 担当 CHK. T.NOMIYAMA  |                | 製図 DR.          |               |
| .XX ± 0.1              |                   | 査閲 APPD.            |                | 製図 DR.          |               |
| .XXX ±                 |                   | 承認 APPD. Y.KUBOTA   |                | 製図 DR.          |               |
|                        |                   | 承認 APPD. Y.KUBOTA   |                | 製図 DR.          |               |
|                        |                   |                     |                | 質量 (MASS)       |               |

日本航空電子工業株式会社  
JAPAN AVIATION ELECTRONICS INDUSTRY, LTD.

図面番号 (DRAWING NO.)  
SJ102264

DOF-0-212E(03.08)

